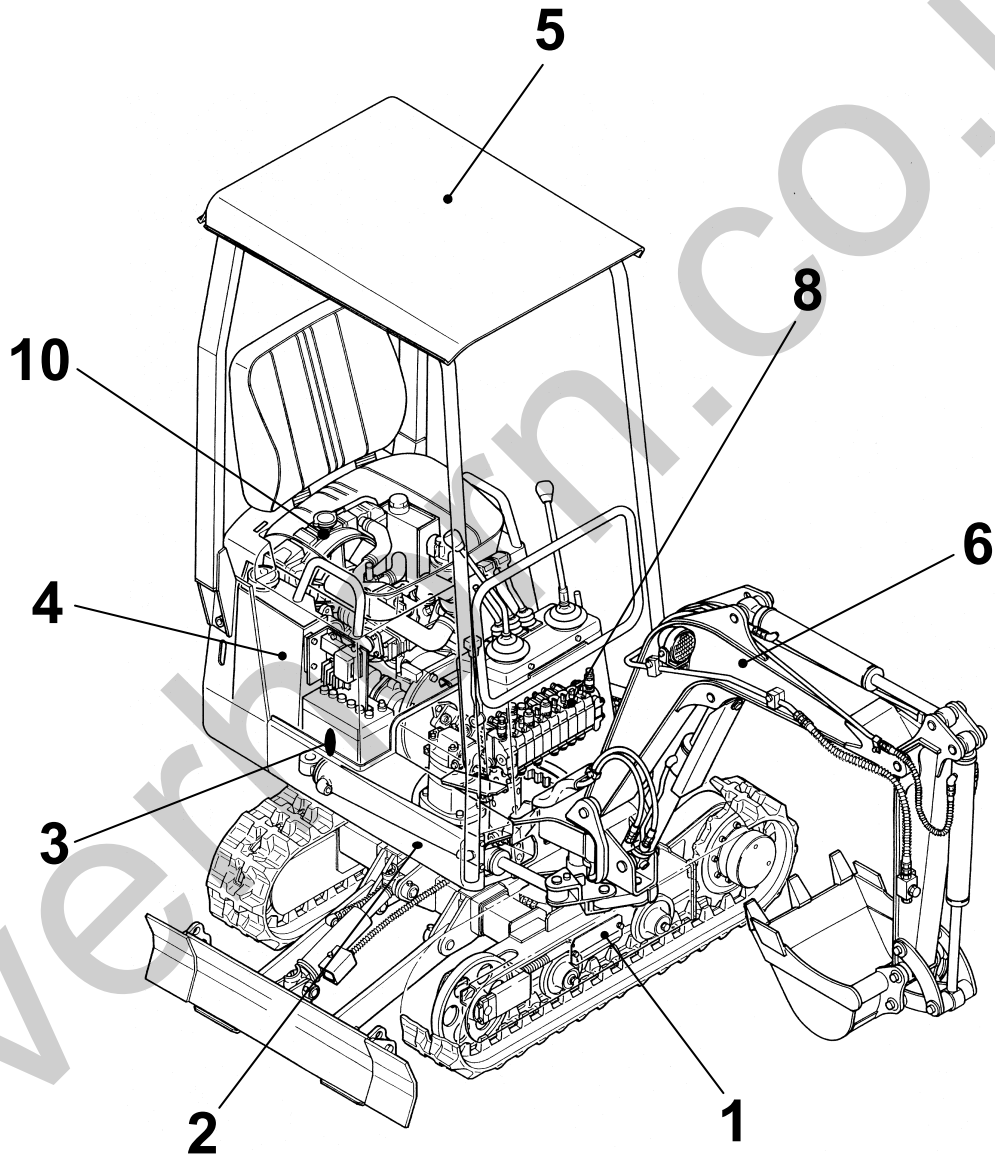


TB007

Book No. PB4-101Z6

Serial No. 1073001-1074744

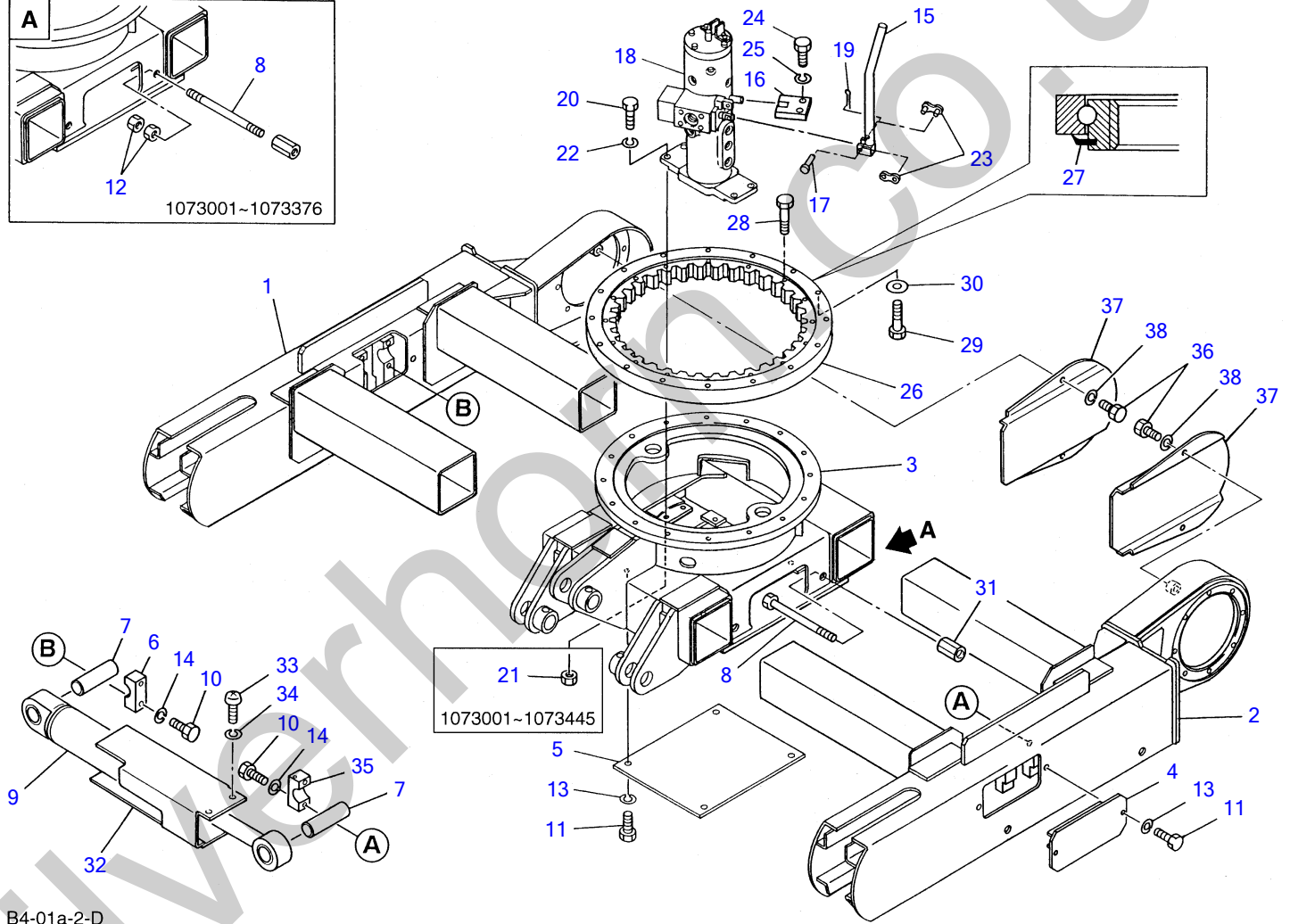
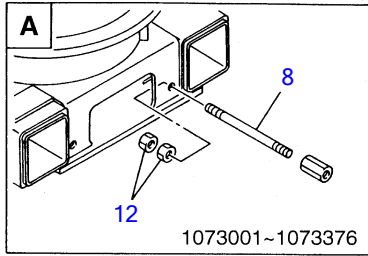


TAKEUCHI

Silverhorn.CO.UK

Item	Part number	Description	INDEX				
			Q'ty	Chan.	Serial No.	Serv.	Remarks
1		UNDERCARRIAGE					
2		TURNTABLE & CONTROL LEVER					
3		ENGINE & ELECTRICAL SYSTEM					
4		HYDRAULIC PIPNG & TANK					
5		COVER & CAB					
6		HOE ATTACHMENT					
7		DECAL & TOOL					
8		HYDRAULIC DEVICE					
9		NUMERICAL INDEX					
10		ENGINE(2TN66L-UTBA)					
		ENGINE(2TNE68-ETB)					

Silverhorn.CO.UK

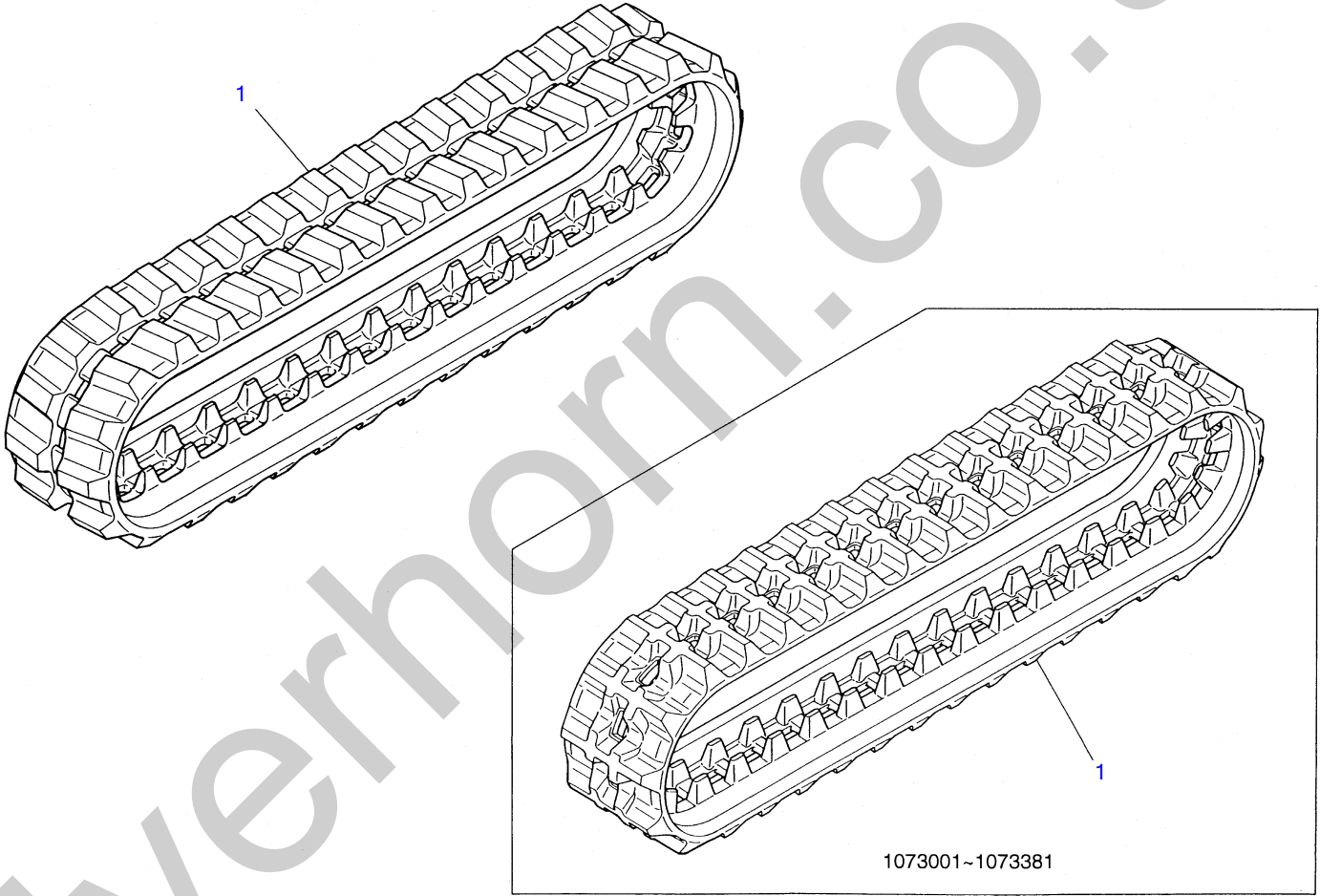


B4-01a-2-D

LOWER FRAME

Item	Part number	Description	Q'ty	Chan.	Serial No.	Serv.	Remarks
1	*****	FRAME (R.H.)	1				
2	*****	FRAME (L.H.)	1				
3	*****	BODY	1				
4	0411008400	COVER	2		1073001~1073376		
4-1	0321050400	COVER	2		1073377~		
5	0411008510	PLATE	1				
6	0411008600	CLAMP	2				
7	0411008700	PIN	2				
8	0411008900	ROD	4		1073001~1073376		
	0411009000	BOLT	4		1073377~		
9	1900057400	CYLINDER, spanner	1				
10	1103041040	BOLT	8				
11	1100040816	BOLT	8				
12	1130040010	NUT	12		1073001~1073376		
13	1140020008	WASHER, spring	8				
14	1140020010	WASHER, spring	8				
15	0412102100	LEVER	1				
16	0412100100	PLATE	1				
17	0004005117	PIN, lever	1				
18	1904006800	JOINT, swivel	1				
19	1214000005	PIN, snap	1				
20	1100040825	BOLT	4				
21	1130040008	NUT	4		1073001~1073445		
22	1140020008	WASHER, spring	4				
23	1620050000	LINK ASSY	1				
24	1100041025	BOLT	2				
25	1140020010	WASHER, spring	2				
26	1913003450	BEARING	1				
27	1913003459	• SEAL	1				
28	1100051045	BOLT	16				
29	1100051050	BOLT	16				
30	1141540010	WASEHR	16				
31	1134851020	NUT	4				
32	0411009300	COVER	1				
33	1120530510	SCREW	2				
34	1140020005	WASHER, spring	2				
35	0411009200	CLAMP	2				
36	1100040816	BOLT	4				
37	0411602200	COVER	2				
38	1140040008	WASHER, spring	4				

B401a3L

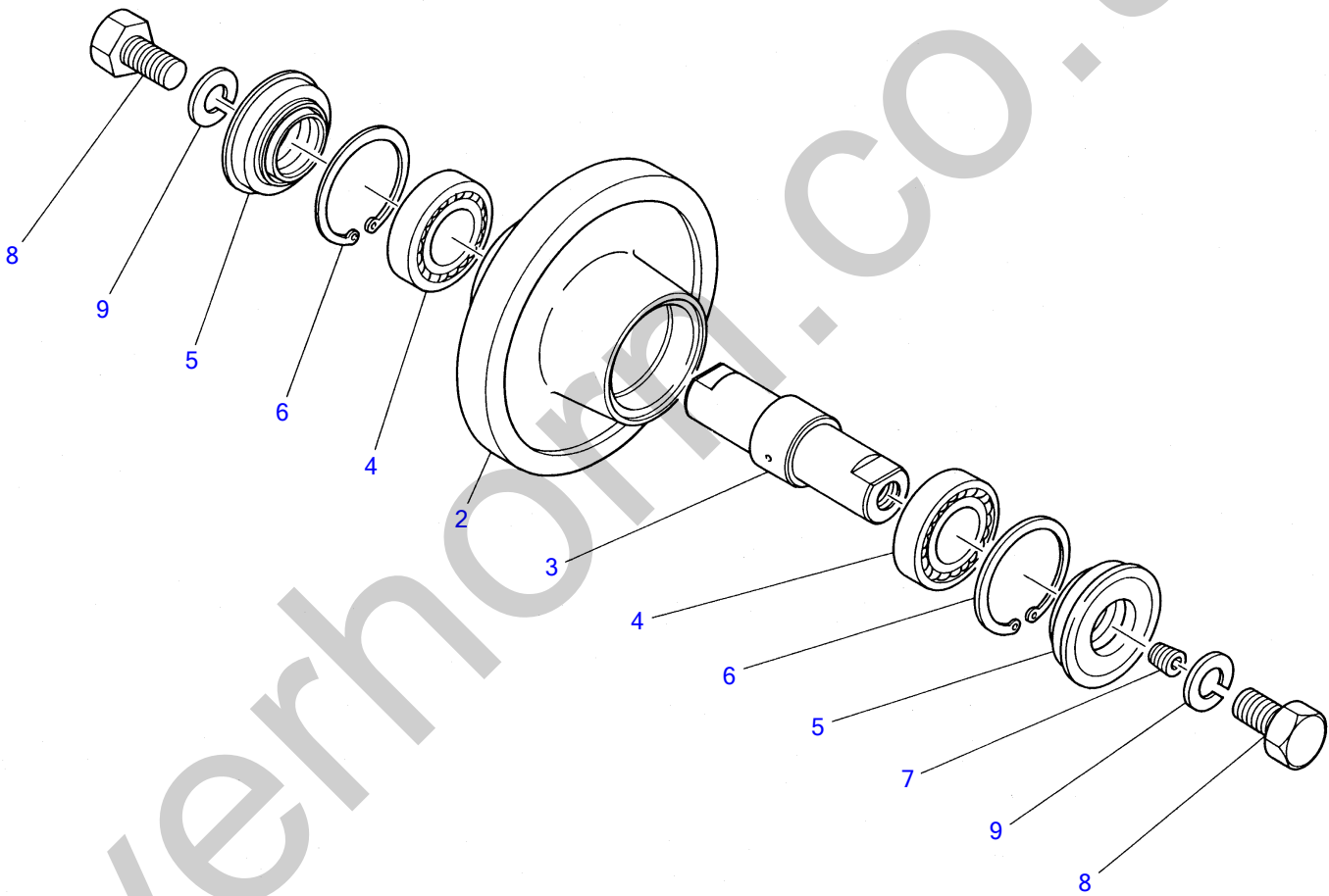


B4-02a-1-D

CRAWLER BELT

Item	Part number	Description	Q'ty	Chan.	Serial No.	Serv.	Remarks
1	1914079000	BELT, crawler	2		1073001~1073381		
	(H) 1914090100	BELT, crawler	2		1073382~1073598		
	(H) 1914090200	BELT, crawler	2		1073599~		
	B402a2L						

Silverhorn.CO.UK

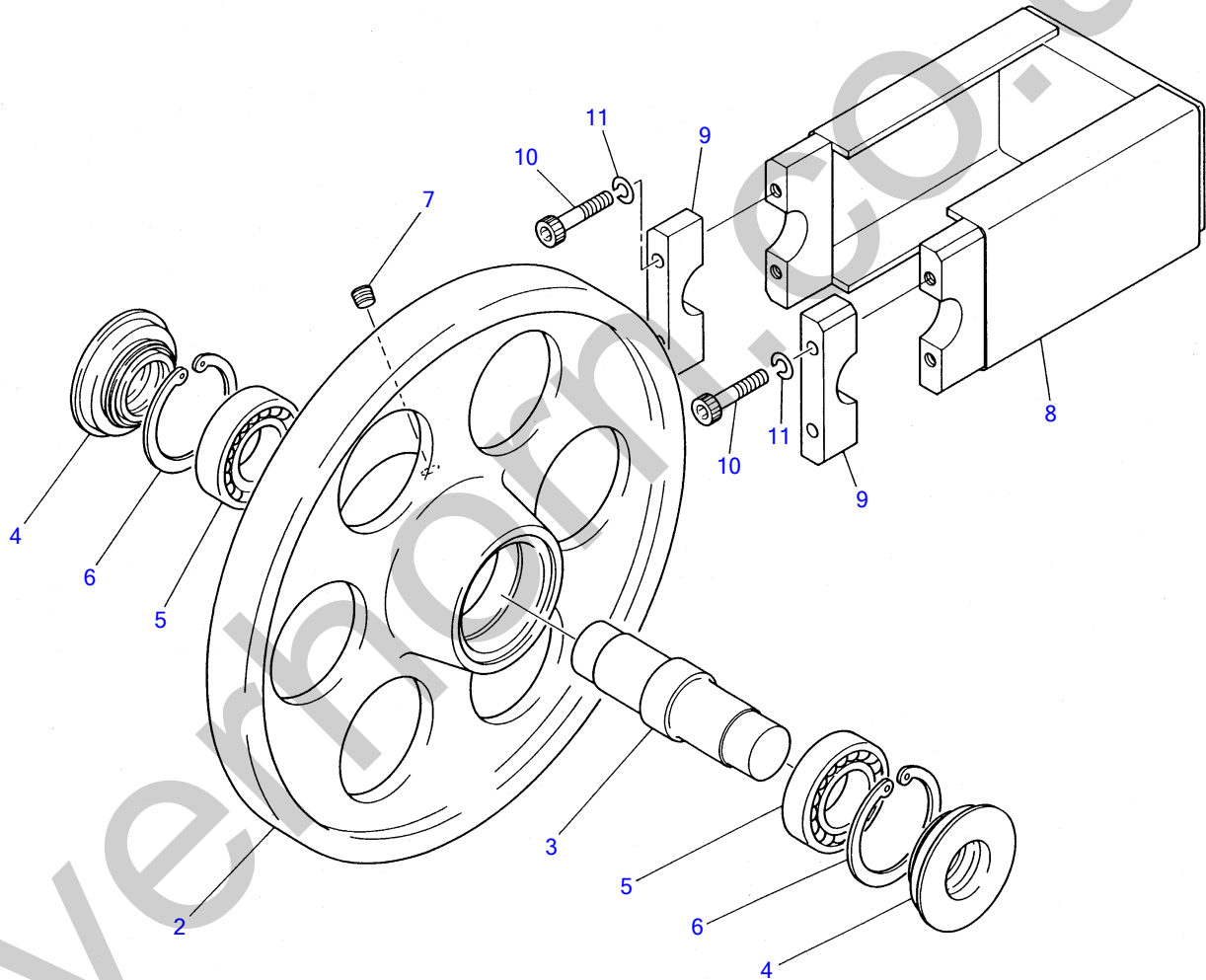


Z1-04a-0-D

TRACK ROLLER

Item	Part number	Description	Q'ty	Chan.	Serial No.	Serv.	Remarks
1	0411300400	ROLLER ASSY	4				
2	0071300100	• ROLLER	1				
3	0411300200	• SHAFT	1				
4	1300006005	• BEARING	2				
5	1431202547	• SEAL, oil	2				
6	1221000047	• RING, snap	2				
7	1501810001	• PLUG	1				
8	1101051225	BOLT	8				
9	1140010012	WASHER, spring	8				
	B404a0L						

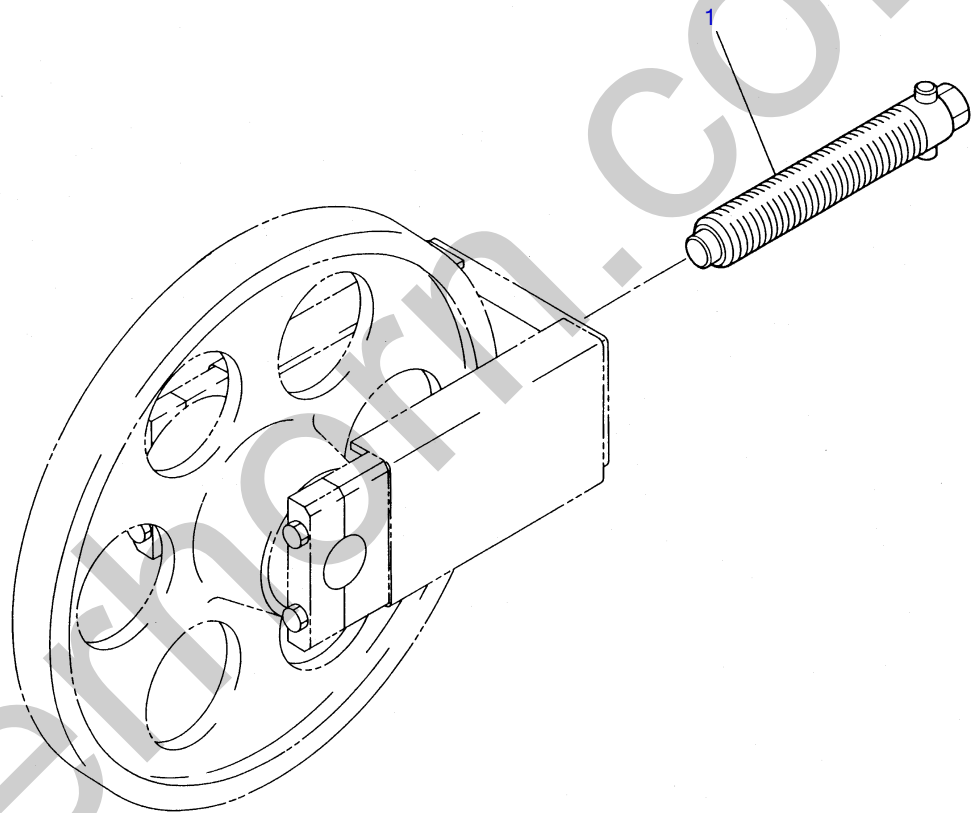
Silverhorn.CO.UK



B4-05a-0-D

Item	Part number	Description	FRONT IDLER			Remarks
			Q'ty	Chan.	Serial No.	
1	0411401100	IDLER ASSY, front	2			
2	0411400100	· IDLER, front	1			
3	0411401200	· SHAFT	1			
4	1431202547	· SEAL, oil	2			
5	1300006005	· BEARING	2			
6	1221000047	· RING, snap	2			
7	1501810001	· PLUG	1			
8	0411401300	YOKE	2			
9	0411401400	CLAMP	4			
10	1110040630	SCREW, cap	8			
11	1140020006	WASHER, spring	8			
	B405a0L					

Silverhorn.CO.UK

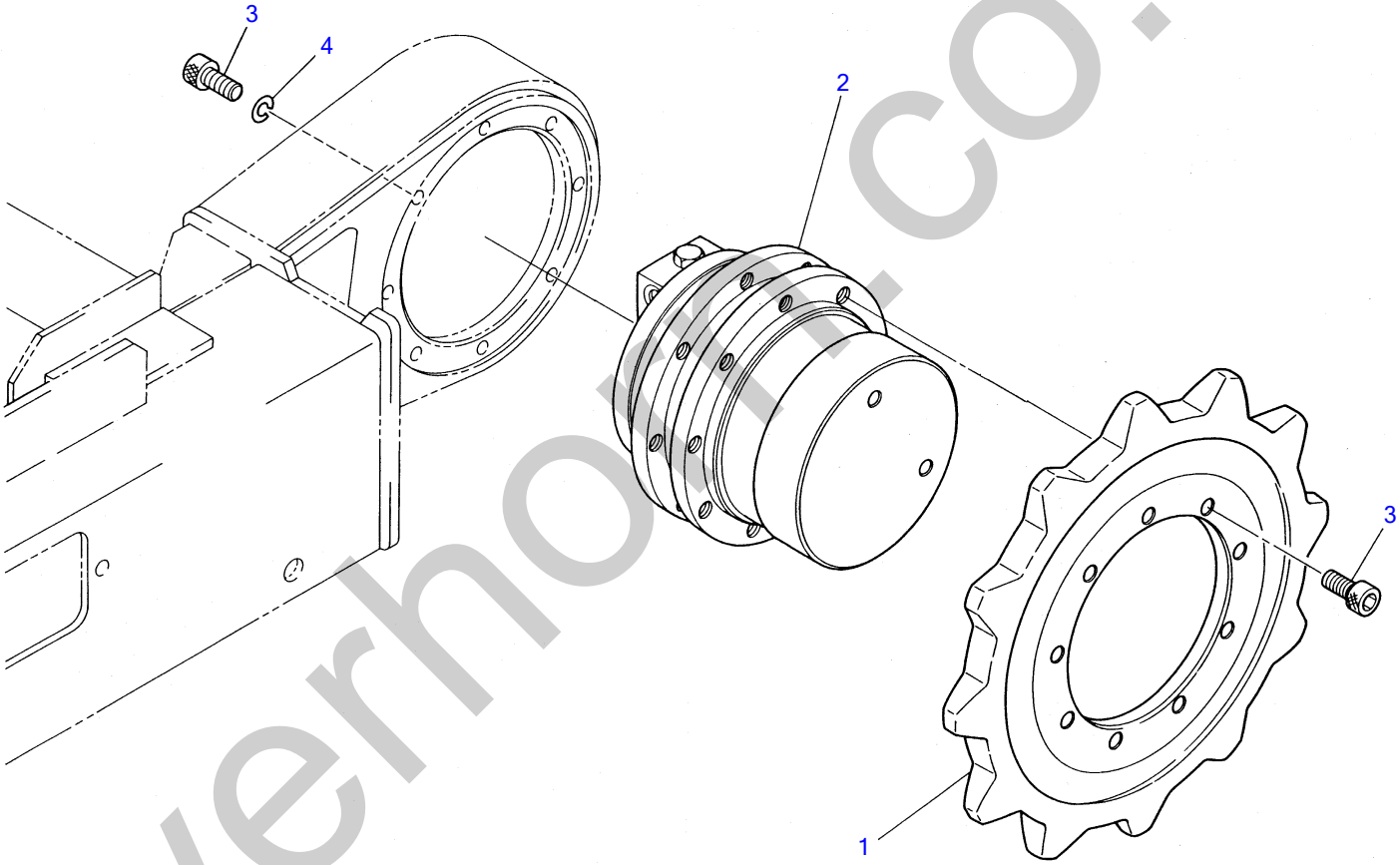


B4-06a-0-D

TRACK ADJUSTER

Item	Part number	Description	Q'ty	Chan.	Serial No.	Serv.	Remarks
1	0411500100	BOLT	1		1073001~1073376		
	0321550200	BOLT	1		1073377~		
	B406a1L						

Silverhorn.CO.UK

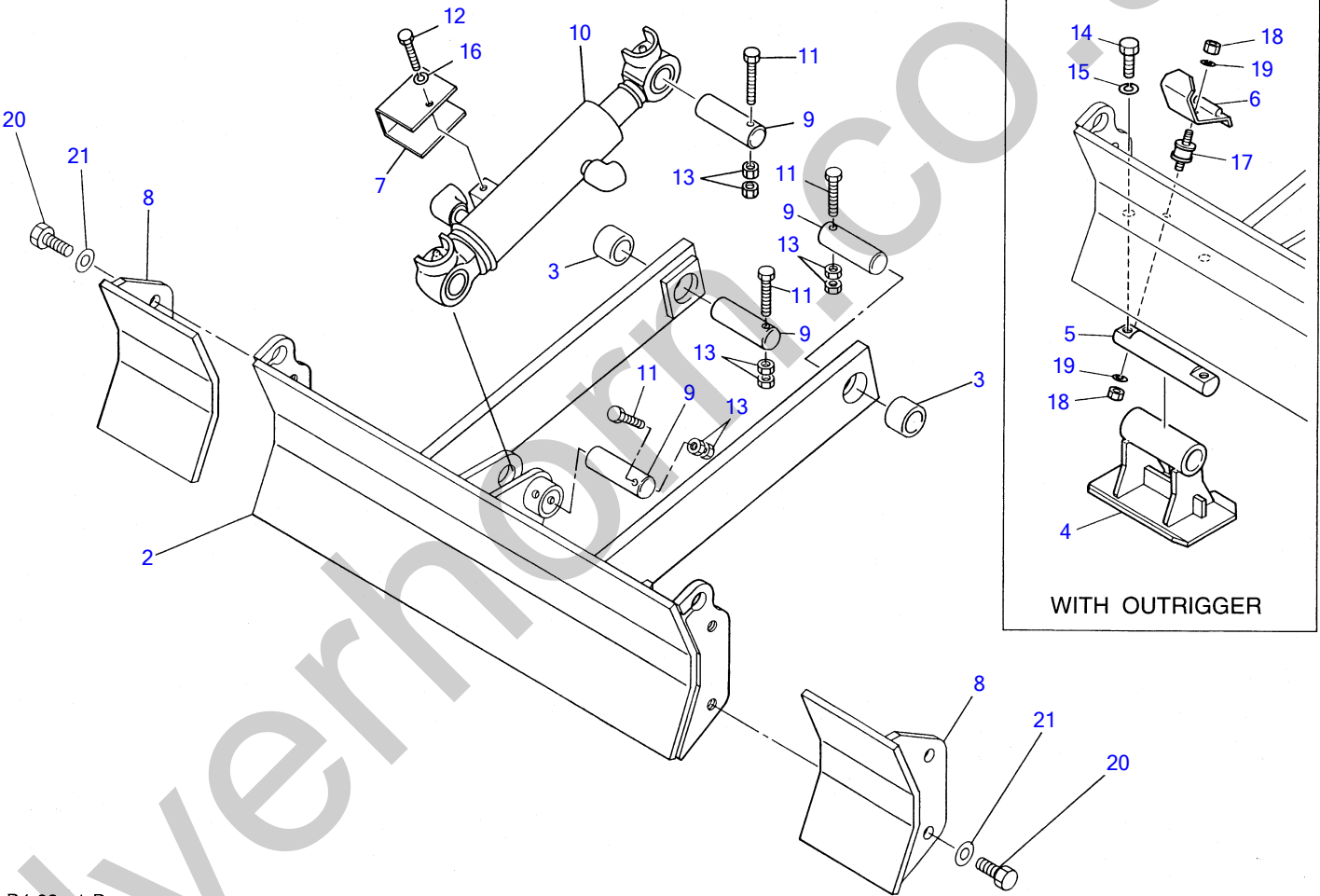


Z1-07a-2-D

TRAVEL DEVICE

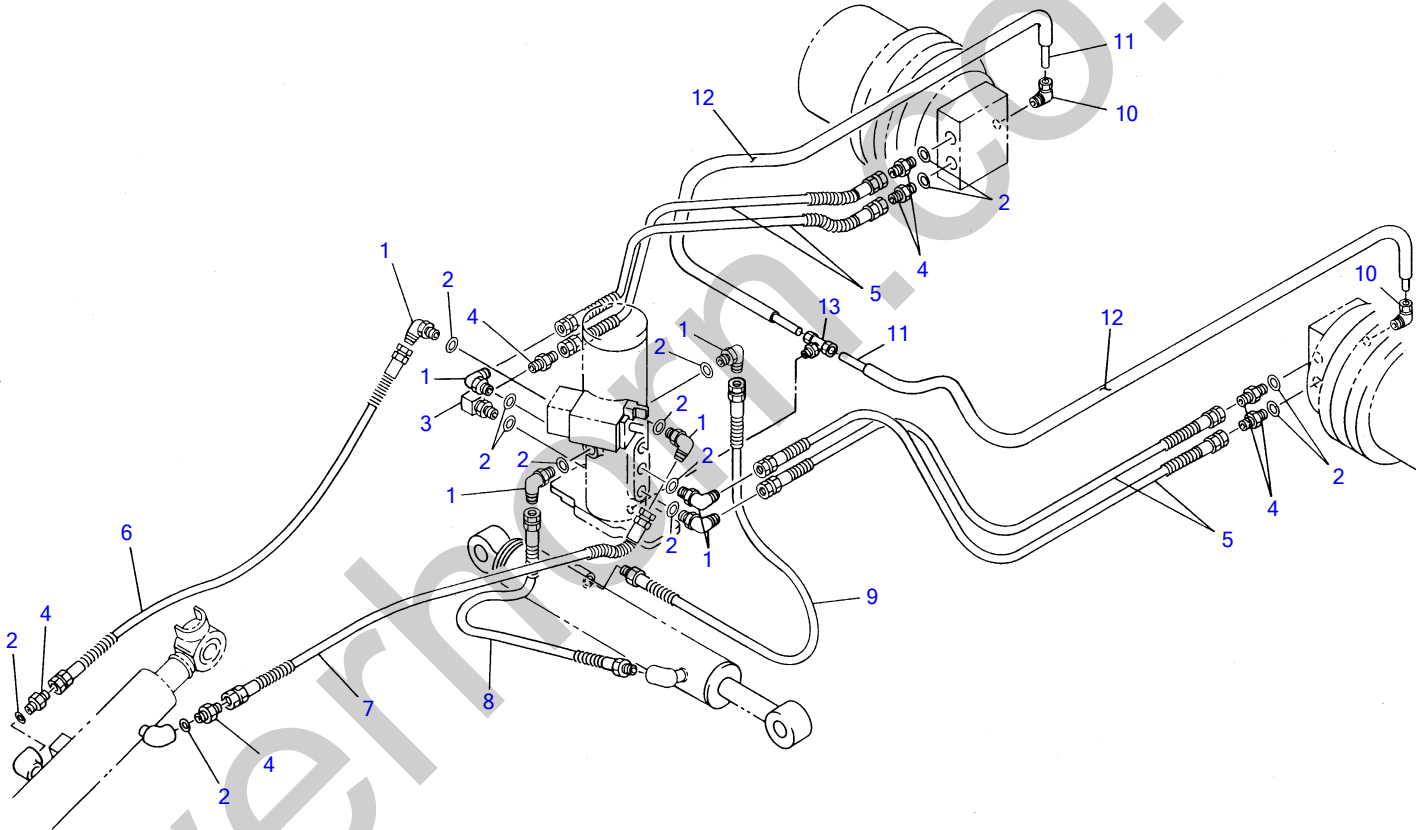
Item	Part number	Description	Q'ty	Chan.	Serial No.	Serv.	Remarks
1	0411602100	SPROCKET	2				
2	1903111100	MOTOR ASSY	2				
3	1110041022	SCREW, cap	34				
4	1140020010 B407a2L	WASHER, spring	16		1073001~1074576		

Silverhorn.CO.UK



B4-08a-1-D

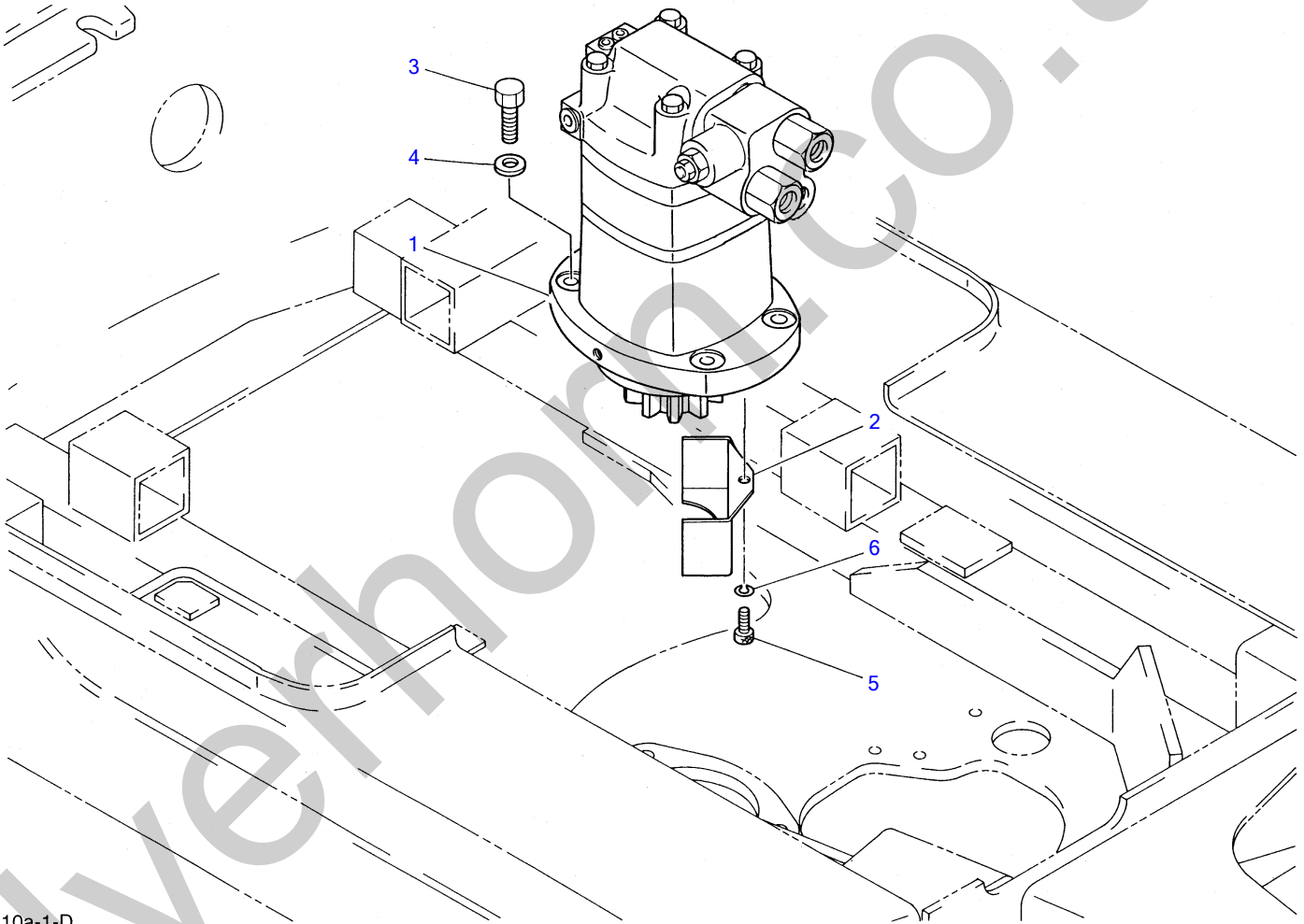
DOZER BLADE						
Item	Part number	Description	Q'ty	Chan.	Serial No.	Serv. Remarks
1	0416304100	BLADE ASSY	1			
	0326350100	BLADE ASSY	1			
2	*****	• BLADE	1			
3	0416304220	• BUSHING	2			
4	0416304310	OUTRIGGER	2			
5	0416304410	PIN	2			
6	0416304510	LEVER	2			
7	0426300400	COVER	1			
8	0416304600	PLATE	2			
9	0001502501	PIN	4			
10	1900057300	CYLINDER, blade	1			
11	1103040855	BOLT	4			
12	1100040860	BOLT	1			
13	1130240008	NUT	8			
14	1100041025	BOLT	4			
15	1140020010	WASHER, spring	4			
16	1140020008	WASHER, spring	1			
17	1651014002	RUBBER, cushion	2			
18	1130040006	NUT	2			
19	1140020006	WASHER, spring	2			
20	1100041220	BOLT	4			
21	1141540012	WASHER	4			
	B408a2L					



B4-09a-1-D

Item	Part number	Description	PIPING; LOWER		Serial No.	Serv.	Remarks
			Q'ty	Chan.			
1	1515012040	ELBOW	7				
2	1420010110	O-RING	14				
3	1513300014	ELBOW	1				
4	1515600200	ADAPTOR	7				
5	1939508060	HOSE ASSY	4				
6	1939508065	HOSE ASSY	1				
7	1939508050	HOSE ASSY	1				
8	1939028030	HOSE ASSY	1				
9	1939028038	HOSE ASSY	1				
10	1532620601	ELBOW	2				
11	1532020680	HOSE	2	0°A",è/sold by the meter			0°A",è
12	1531010072	PROTECTOR	2	0°A",è/sold by the meter			0°A",è
13	1532720601	TEE	1				
	B409a4L						

Silverhorn.CO.UK

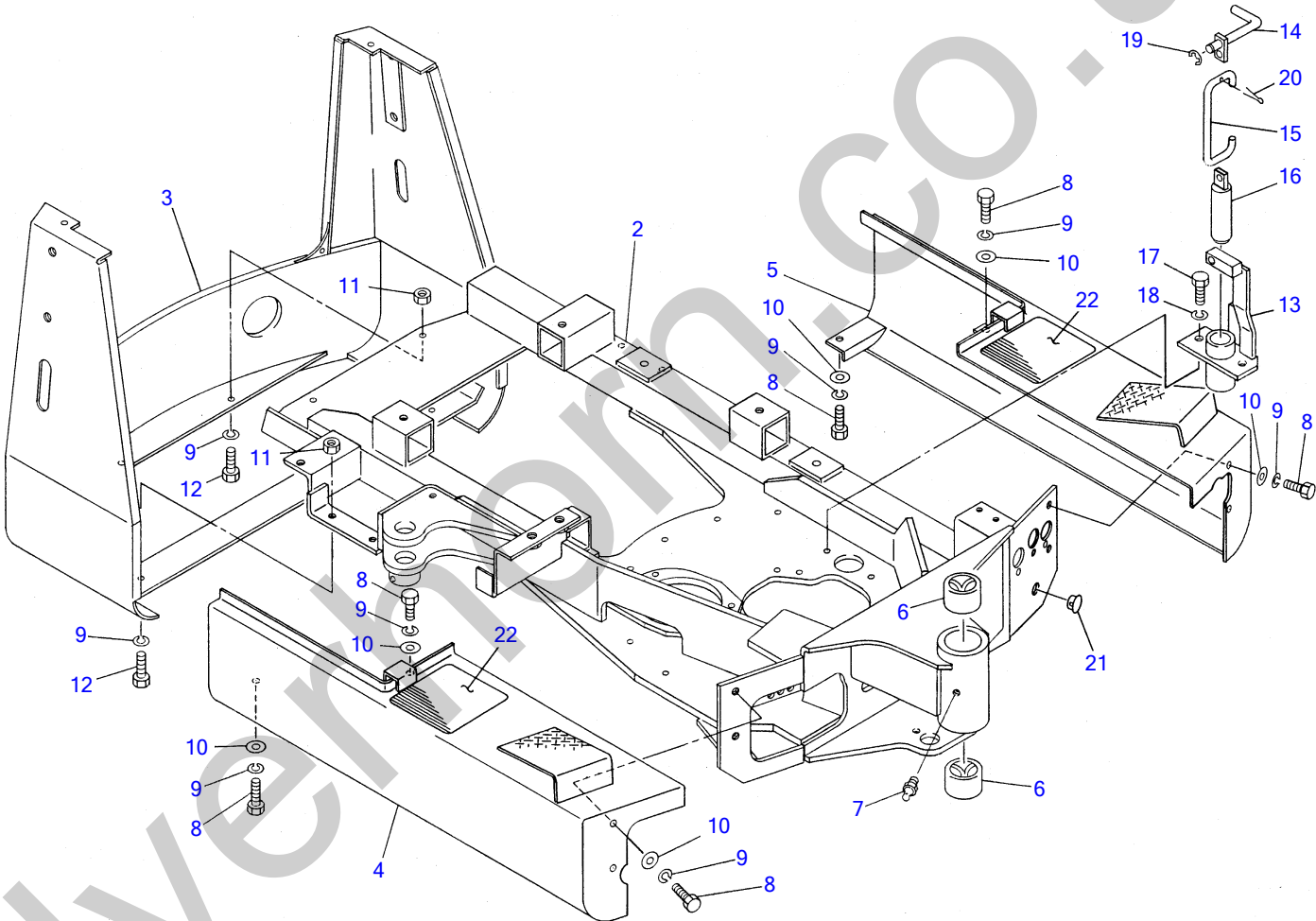


Z1-10a-1-D

SLEWING DEVICE

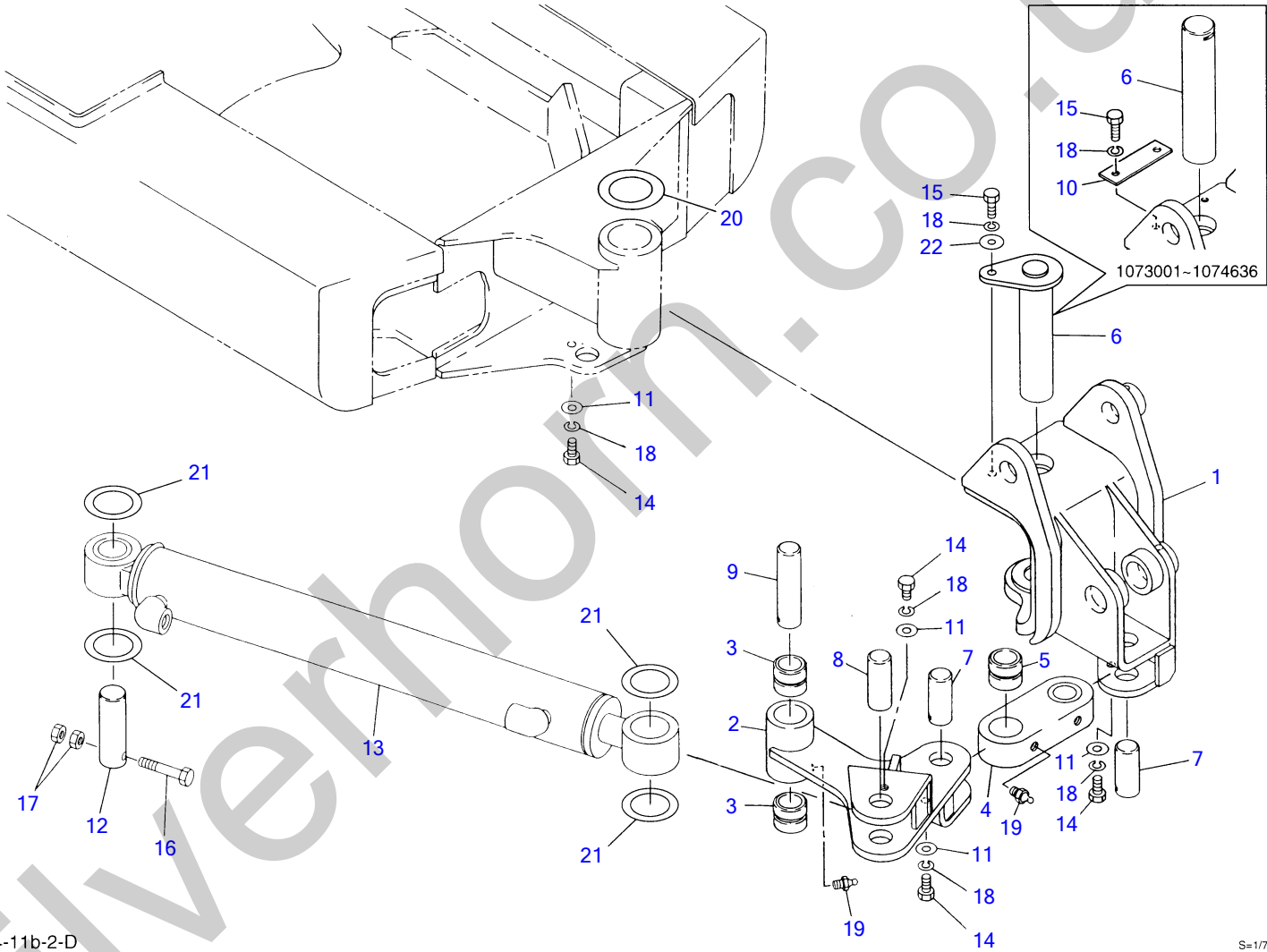
Item	Part number	Description	Q'ty	Chan.	Serial No.	Serv.	Remarks
1	1903111400	MOTOR ASSY	1				
2	0412301100	COVER	1				
3	1100041035	BOLT	4				
4	1141550010	WASHER	4				
5	1110040610	SCREW, cap	1				
6	1140020006	WASHER, spring	1				
	B410a2L						

Silverhorn.CO.UK



B4-11a-2-D

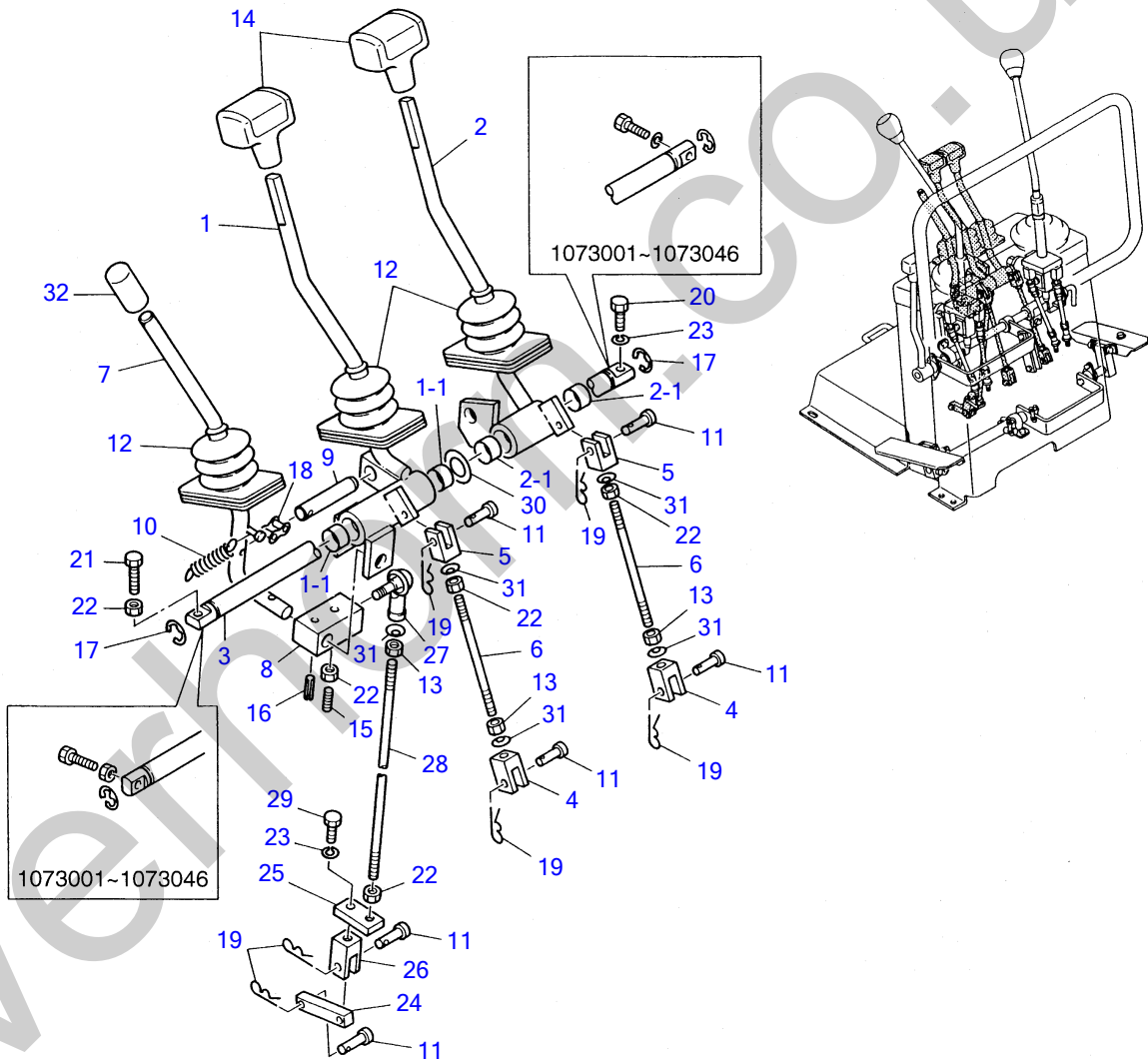
TURNTABLE						
Item	Part number	Description	Q'ty	Chan.	Serial No.	Serv. Remarks
1	*****	TURNTABLE ASSY	1			
2	*****	• TURNTABLE	1			
3	*****	• GUARD	1			
4	*****	• FRAME (R.H.)	1			
5	*****	• FRAME (L.H.)	1			
6	0002400028	• BUSHING	2		1073001~1074636	
	0002400060	• BUSHING	2		1074637~	
7	1560001000	• FITTING, grease	1			
8	1100041016	• BOLT	8			
9	1140020010	• WASHER, spring	12			
10	1141110010	• WASHER	8			
11	1130040010	• NUT	4			
12	1100041025	• BOLT	4			
13	0412203100	BOSS	1			
14	0412203200	LEVER	1			
15	0412203300	ROD	1			
16	0412203400	PIN, lock	1			
17	1100041020	BOLT	2			
18	1140020010	WASHER, spring	2			
19	1224000008	E-RING	1			
20	1210003220	PIN, split	1			
21	1652533023	CAP	1		1073464~	
22	0323052200	SHEET	2		1073515~	
	B411a4L					



B4-11b-2-D

S=1/7

BOOM SWING						
Item	Part number	Description	Q'ty	Chan.	Serial No.	Serv. Remarks
1	0413102100	BRACKET	1		1073001~1074636	
	0323153100	BRACKET	1		1074637~	
2	0413102200	ARM, link	1			
3	0002200015	• BUSHING	2			
4	0413102300	LINK	1			
5	0002200015	• BUSHING	2			
6	0011902006	PIN	1		1073001~1074636	
	0011903006	PIN	1		1074637~	
7	0001900144	PIN	2			
8	0001900145	PIN	1			
9	0001900146	PIN	1		1073001~1073369	
	(H) 0001900148	PIN	1		1073370~	
10	0413102400	PLATE	1		1073001~1074078	
	(H) 0323102100	PLATE	1		1074079~1074636	
11	0413102500	WASHER	4			
12	0001502501	PIN	1			
13	1900057200	CYLINDER, swing	1			
14	1100040812	BOLT	4			
15	1100040816	BOLT	1			
16	1103040855	BOLT	1			
17	1130240008	NUT	2			
18	1140020008	WASHER, spring	4			
19	1560001000	FITTING, grease	3			
20	0003600052	WASHER	1			
21	0003102616	WASHER	AR			
	0003102610	WASHER	AR			
	0003600050	WASHER	AR			
	0003600049	WASHER	AR			
22	0003608252	WASHER	1		1074637~	
	B411b3L					

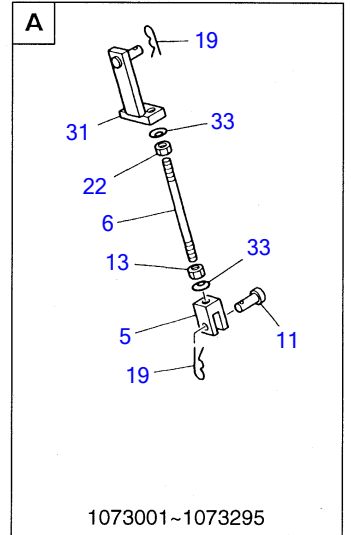
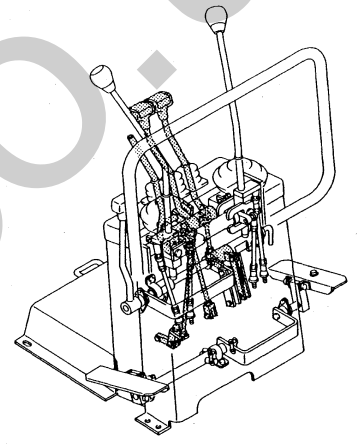
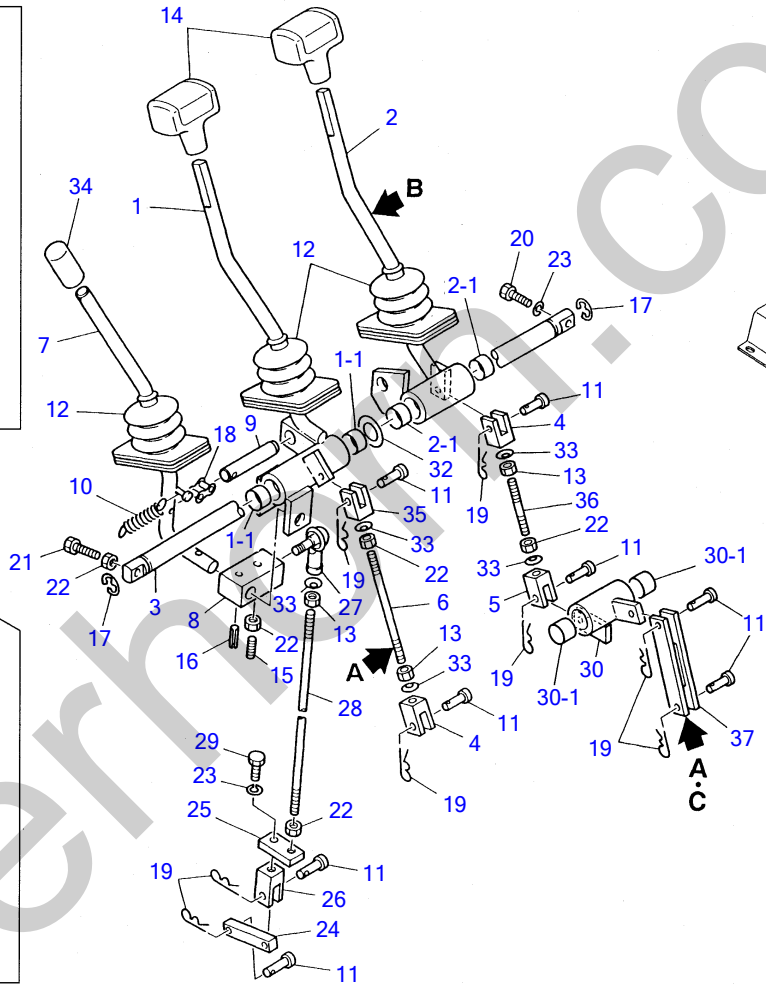
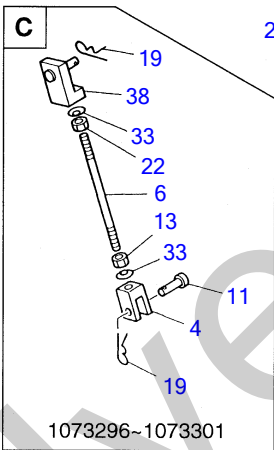
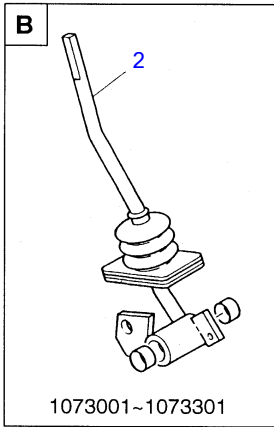


B4-12a-2-D

TRAVEL LEVER

Item	Part number	Description	Q'ty	Chan.	Serial No.	Serv.	Remarks
1	0323251300	LEVER	1				
1-1	1333001515	• BUSHING	1				
2	0323251400	LEVER	1				
2-1	1333001515	• BUSHING	1				
3	0323250500	SHAFT	1				
4	0005600003	YOKE	2				
5	0005500006	YOKE	2				
6	0005006130	ROD	2				
7	0323251500	LEVER	1				
8	0323251600	LEVER	1				
9	0323251700	SHAFT	1				
10	0323255900	SPRING	1				
11	0004005117	PIN, lever	6				
12	0363214700	BOOT	3				
13	1131540006	NUT	3				
14	1650200520	GRIP	2				
15	1121050640	SET-SCREW	1				
16	1213000520	PIN, spring	1				
17	1224010012	E-RING	2				
18	1620050000	LINK ASSY	1				
19	1214000005	PIN, snap	6				
20	1100040620	BOLT	1				
21	1100040640	BOLT	1				
22	1130040006	NUT	5				
23	1140020006	WASHER, spring	2				
24	0322151100	LEVER	1				
25	0322151200	PLATE	1				
26	0005505024	YOKE	1				
27	1340000065	END, rod	1				
28	0005006260	ROD	1				
29	1100040616	BOLT	1				
30	0083252100	WASHER	1				
31	1225000006	WASHER	5				
32	1650132050	GRIP	1				

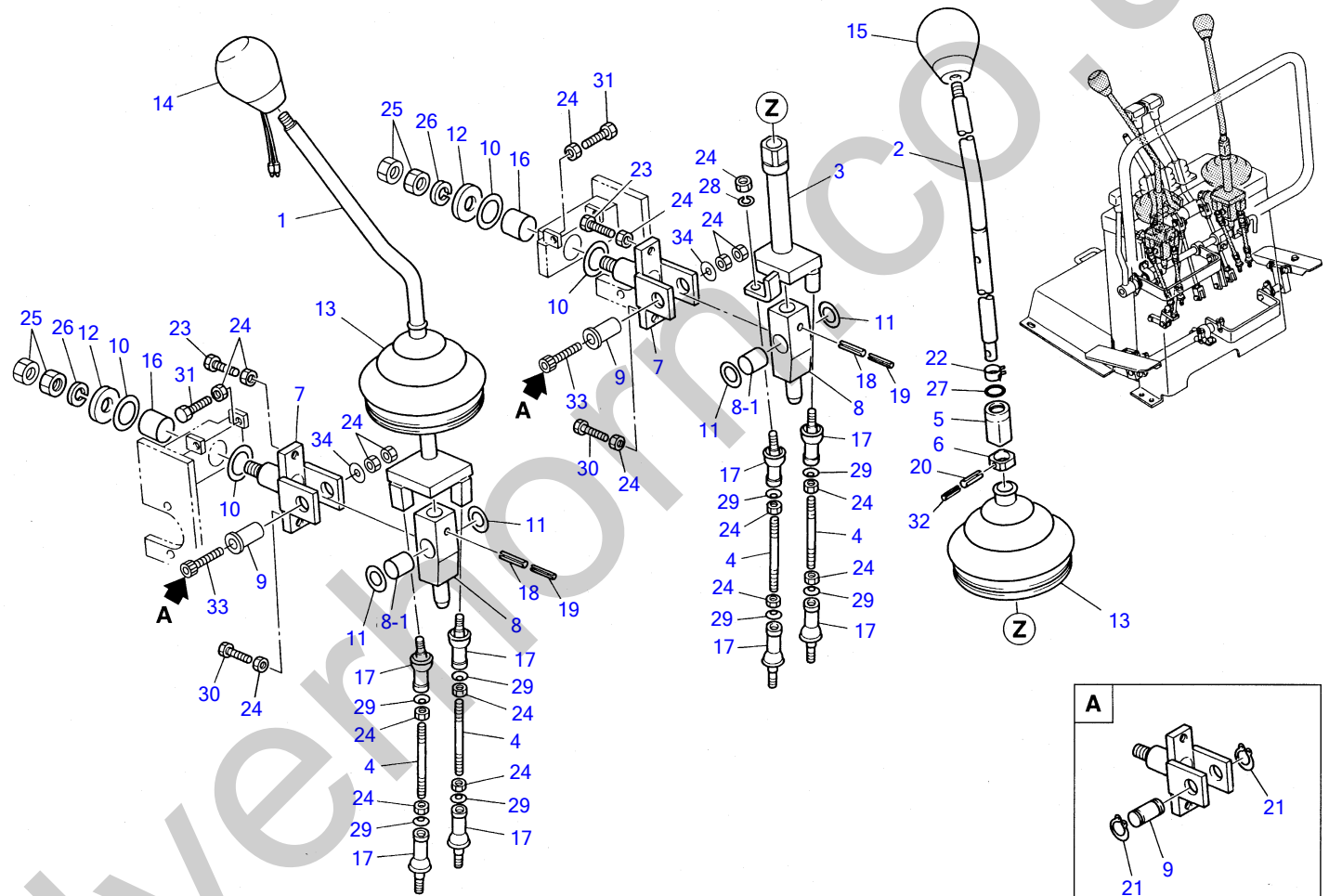
B412a3L



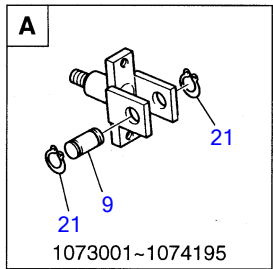
B4-12b-0-D

TRAVEL LEVER

Item	Part number	Description	Q'ty	Chan.	Serial No.	Serv.	Remarks
1	0323259000	LEVER	1				
1-1	1333001515	• BUSHING	1				
2	0323254300	LEVER	1		10733001~1073295		
	0323251400	LEVER	1		1073296~1073301		
	0323258800	LEVER	1		1073302~		
2-1	1333001515	• BUSHING	1				
3	0323250500	SHAFT	1				
4	0005600003	YOKE	2		1073296~		
5	0005500006	YOKE	2		10733001~1073295		
	0005500006	YOKE	1		1073302~		
6	0005006090	ROD	2		10733001~1073295		
	0005006120	ROD	2		1073296~1073301		
	0005006120	ROD	1		1073302~1074279		
	0005006130	ROD	1		1074280~		
7	0323251500	LEVER	1				
8	0323251600	LEVER	1				
9	0323251700	SHAFT	1				
10	0323255900	SPRING	1				
11	0004005117	PIN, lever	3		10733001~1073295		
	0004005117	PIN, lever	4		1073296~1073301		
	0004005117	PIN, lever	7		1073302~		
12	0363214700	BOOT	3				
13	1131540006	NUT	3				
14	1650200520	GRIP	2				
15	1121050640	SET-SCREW	1				
16	1213000525	PIN, spring	1				
17	1224010012	E-RING	2				
18	1620050000	LINK ASSY	1				
19	1214000005	PIN, snap	6		10733001~1073301		
	1214000005	PIN, snap	10		1073302~		
20	1100040620	BOLT	1				
21	1100040640	BOLT	1				
22	1130040006	NUT	5				
23	1140020006	WASHER, spring	2				
24	0322151100	LEVER	1				
25	0322151200	PLATE	1				
26	0005505024	YOKE	1				
27	1340000065	END, rod	1				
28	0005006260	ROD	1				
29	1100040616	BOLT	1				
30	0323258900	LEVER	1		1073302~		
30-1	1333001515	• BUSHING	2		1073302~		
31	0323254450	END, rod	2				
32	0083252100	WASHER	1				
33	1225000006	WASHER	5				
34	1650132050	GRIP	1				
35	0005500008	YOKE	1		1073296~		
36	0005006050	ROD	1		1073302~		
37	0323259100	YOKE	1		1073302~		
38	0323258500	YOKE	1		1073296~1073301		
	B412b1L						

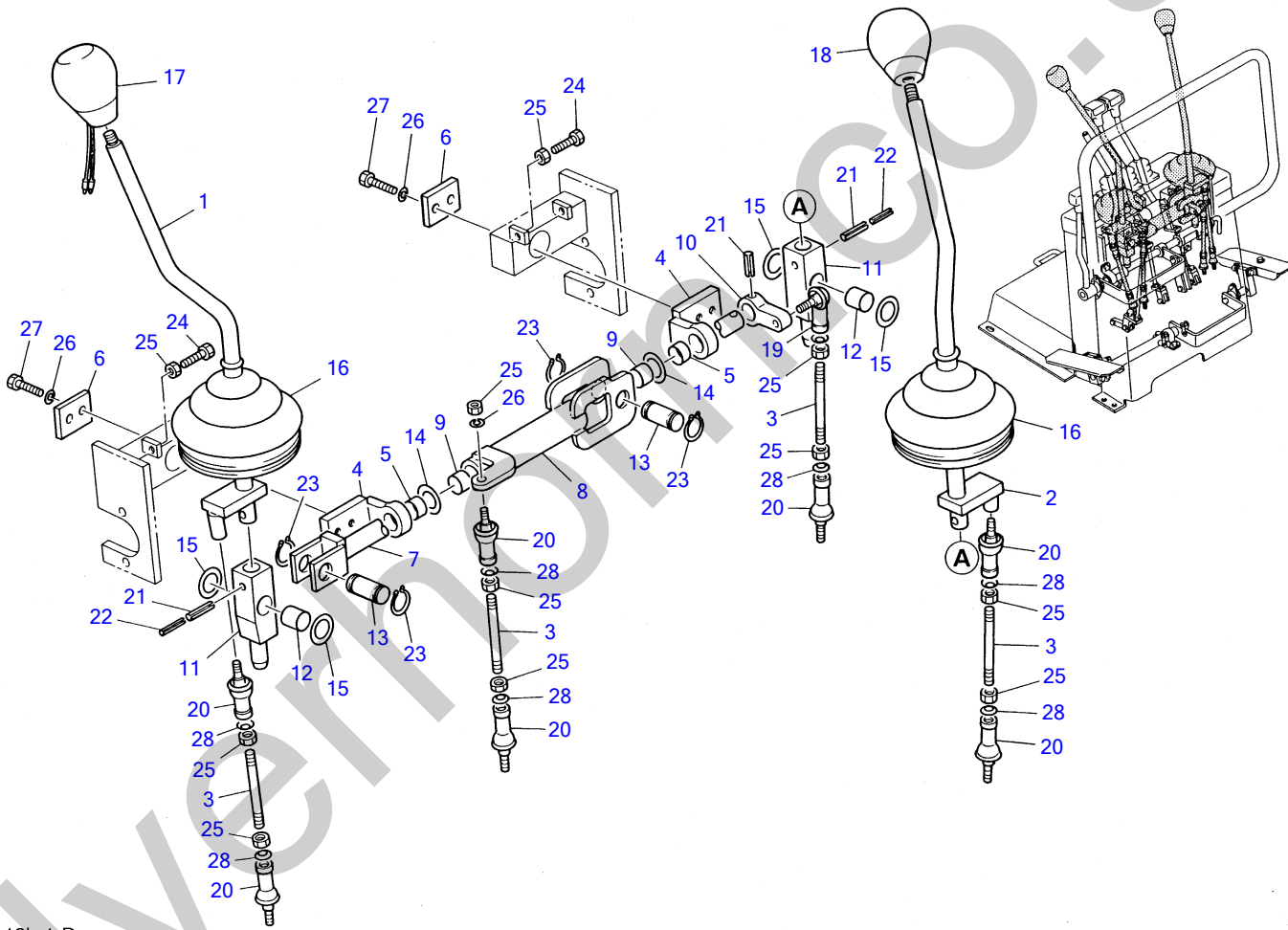


B4-13a-3-D



OPERATION LEVER

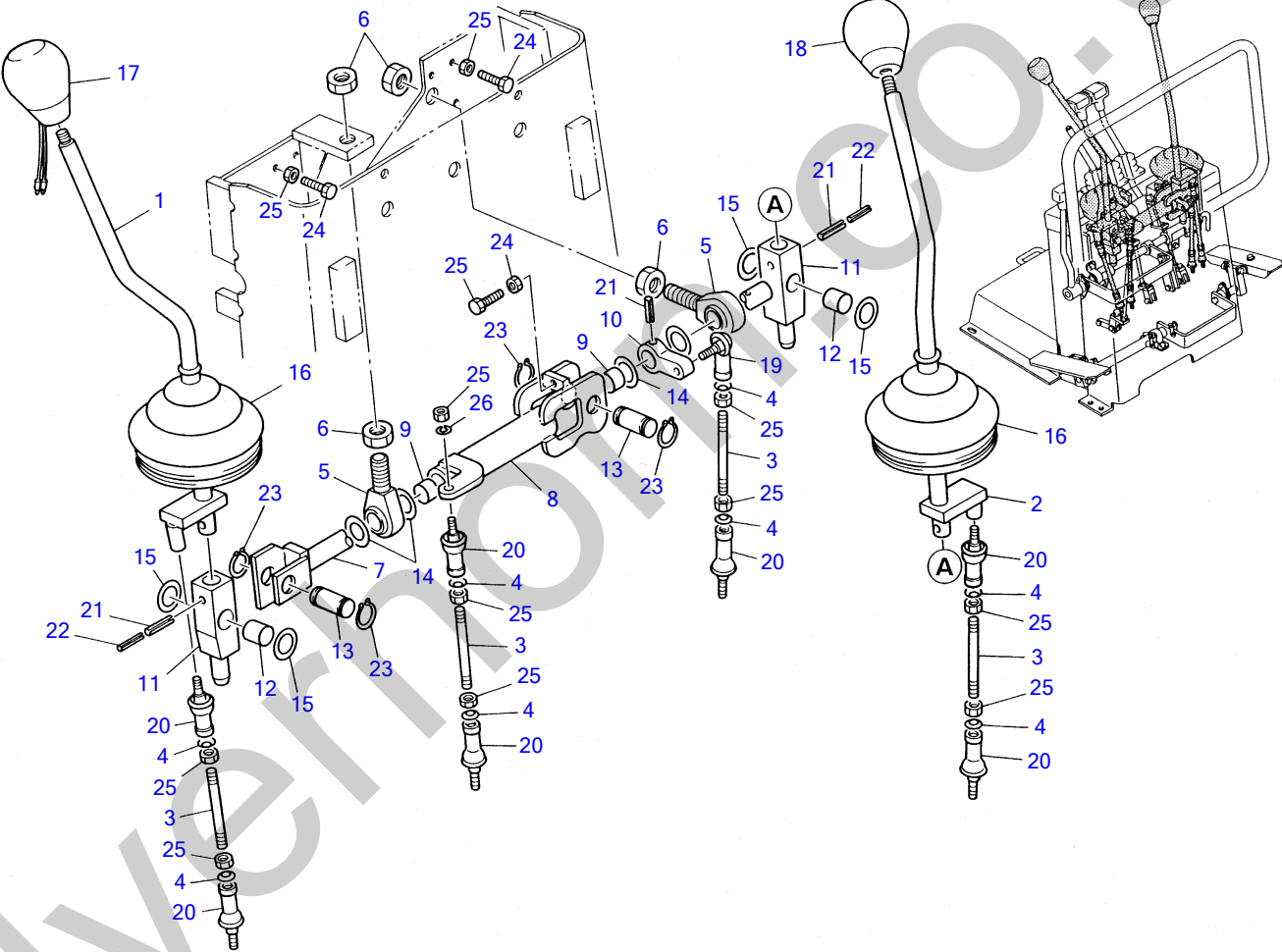
Item	Part number	Description	Q'ty	Chan.	Serial No.	Serv.	Remarks
1	0413204450	LEVER	1				
2	0413204550	LEVER	1				
3	0323253300	LEVER	1				
4	0413206900	ROD	4				
5	0413208650	SLEEVE, lock	1				
6	0433208410	SLEEVE	1				
7	0413203200	ARM	2				
8	0413208030	LEVER	2				
8-1	1333001515	• BUSHING	1				
9	0004215028	SHAFT	2		1073001~1074195		
	0053232400	SHAFT	2		1074196~		
10	0093208300	WASHER	4				
11	0083252100	WASHER	4				
12	0003600025	WASHER	2				
13	0063248800	BOOT	2				
14	1650200220	GRIP (with horn switch)	1				
15	1650200120	GRIP	1				
16	1333002020	BUSHING	2				
17	1340300060	END, rod	8				
18	1213000525	PIN, spring	2				
19	1213000325	PIN, spring	2				
20	1213000320	PIN, spring	1				
21	1220000015	RING, snap	4		1073001~1074195		
22	1533110013	RING	1				
23	1100040620	BOLT	8				
24	1130040006	NUT	17		1073001~1074195		
	1130040006	NUT	21		1074196~		
25	1130040010	NUT	2		1073001~1074195		
	1130140010	NUT	4		1074196~		
26	1140020010	WASHER, spring	2				
27	1420010140	O-RING	1				
28	1140020006	WASHER, spring	1				
29	1225000006	WASHER	8				
30	1121040625	BOLT	2				
31	1100040612	BOLT	2				
32	1213000178	PIN, spring	1		1073575~		
33	1110040635	SCREW, cap	2		1074196~		
34	0003600110	WASHER	2		1074196~		
	B413a3L						



B4-13b-1-D

OPERATION LEVER

Item	Part number	Description	Q'ty	Chan.	Serial No.	Serv.	Remarks
1	0323254100	LEVER	1				
2	0323254200	LEVER	1				
3	0413206900	ROD	4				
4	0323254500	CASE ASSY, bearing	2				
5	1333001510	• BUSHING	1				
6	0323254600	PLATE	2				
7	0323254700	LEVER	1				
8	0323254800	LEVER ASSY	1				
9	1333001515	• BUSHING	2				
10	0323254950	LEVER	1				
11	0413208030	LEVER ASSY	2				
12	1333001515	• BUSHING	1				
13	0004215028	SHAFT	2				
14	0093208300	WASHER	2				
15	0083252100	WASHER	4				
16	0063248800	BOOT	2				
17	1650200220	GRIP (with horn switch)	1				
18	1650200120	GRIP	1				
19	1340010060	END, rod	1				
20	1340300060	END, rod	7				
21	1213000525	PIN, spring	3				
22	1213000325	PIN, spring	2				
23	1220000015	RING, snap	4				
24	1100040620	BOLT	4				
25	1130040006	NUT	13				
26	1140020006	WASHER, spring	5				
27	1100040635	BOLT	4				
28	1225000006	WASHER	8				
	B413b2L						

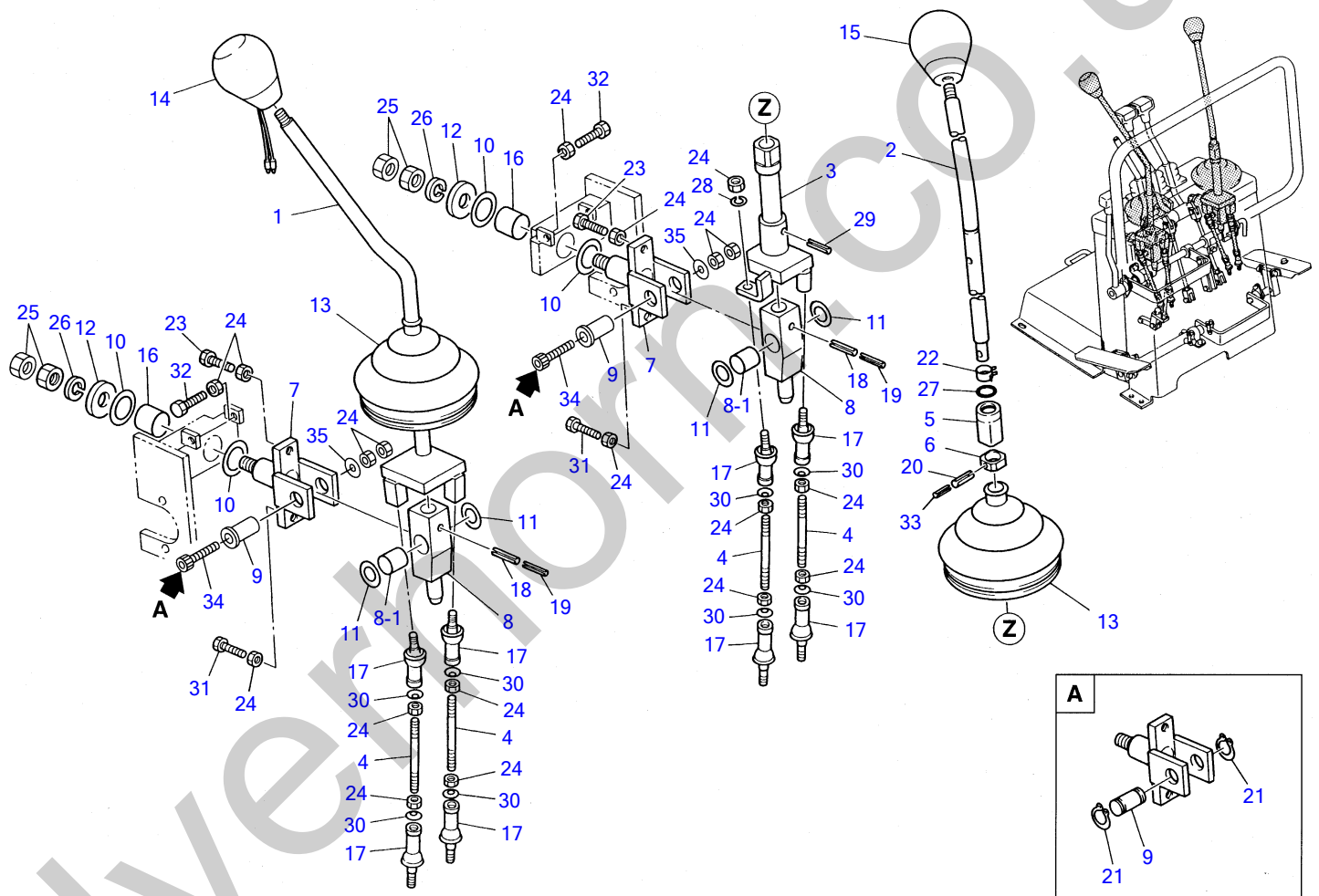


B4-13b-2-D

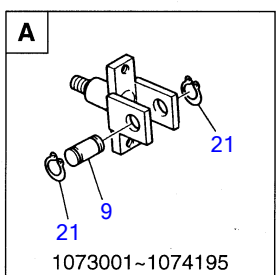
OPERATION LEVER

Item	Part number	Description	Q'ty	Chan.	Serial No.	Serv.	Remarks
1	0323258600	LEVER	1				
2	0323258700	LEVER	1				
3	0413206900	ROD	4				
4	1225000006	WASHER	8				
5	1340600140	END, rod	2				
6	1130040014	NUT	2				
7	0323258200	LEVER	1				
8	0323258300	LEVER ASSY	1				
9	1333001415	• BUSHING	2				
10	0323258400	LEVER	1				
11	0413208030	LEVER ASSY	2				
12	1333001515	BUSHING	1				
13	0004215028	SHAFT	2				
14	0093208300	WASHER	4				
15	0083252100	WASHER	4				
16	0063248800	BOOT	2				
17	1650200220	GRIP (with horn switch)	1				
18	1650200120	GRIP	1				
19	1340010060	END, rod	1				
20	1340300060	END, rod	7				
21	1213000525	PIN, spring	3				
22	1213000325	PIN, spring	2				
23	1220000015	RING, snap	4				
24	1100040620	BOLT	4				
25	1130040006	NUT	13				
26	1140020006	WASHER, spring	1				

B413b3L

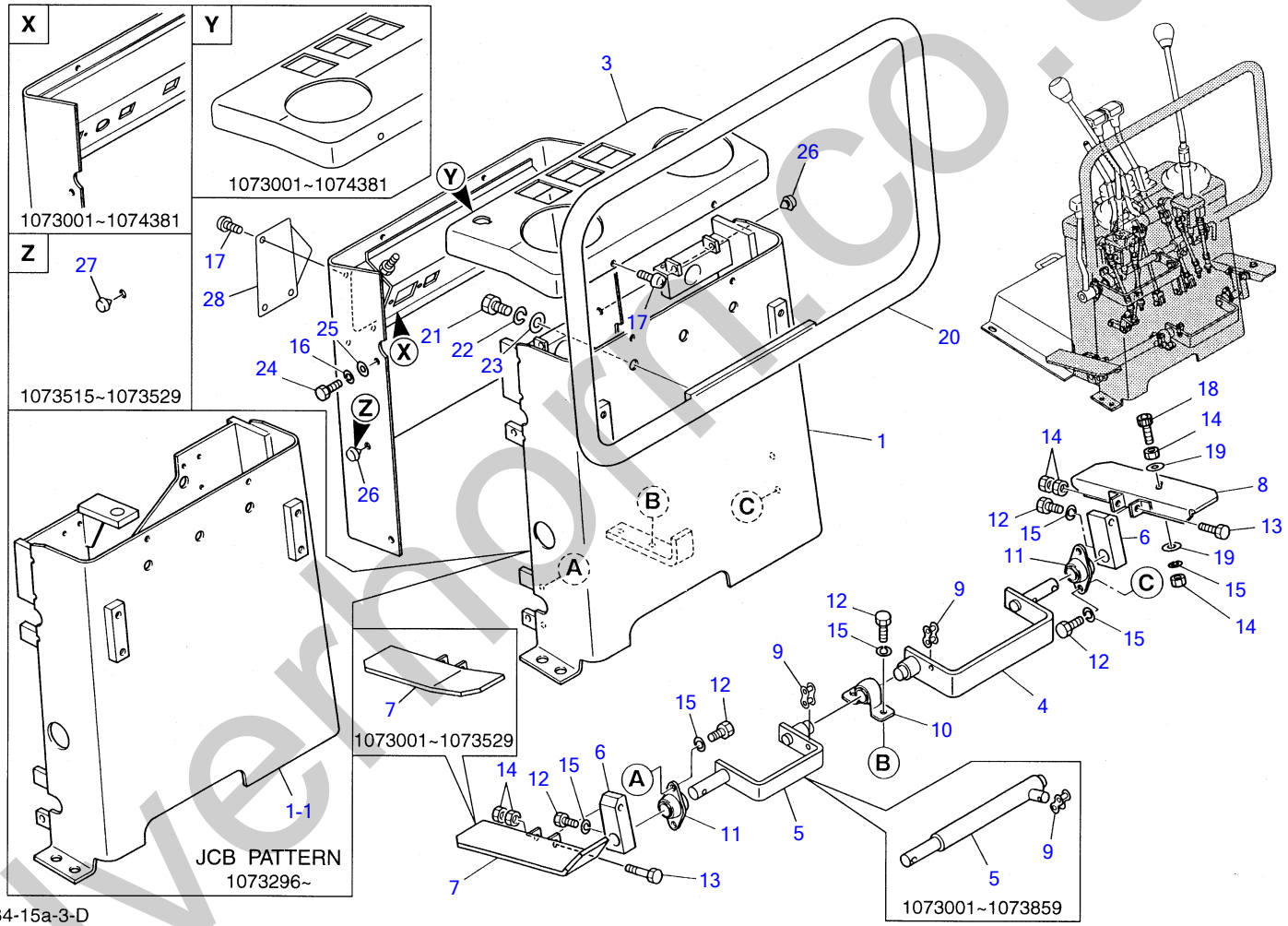


B4-13c-3-D



OPERATION LEVER

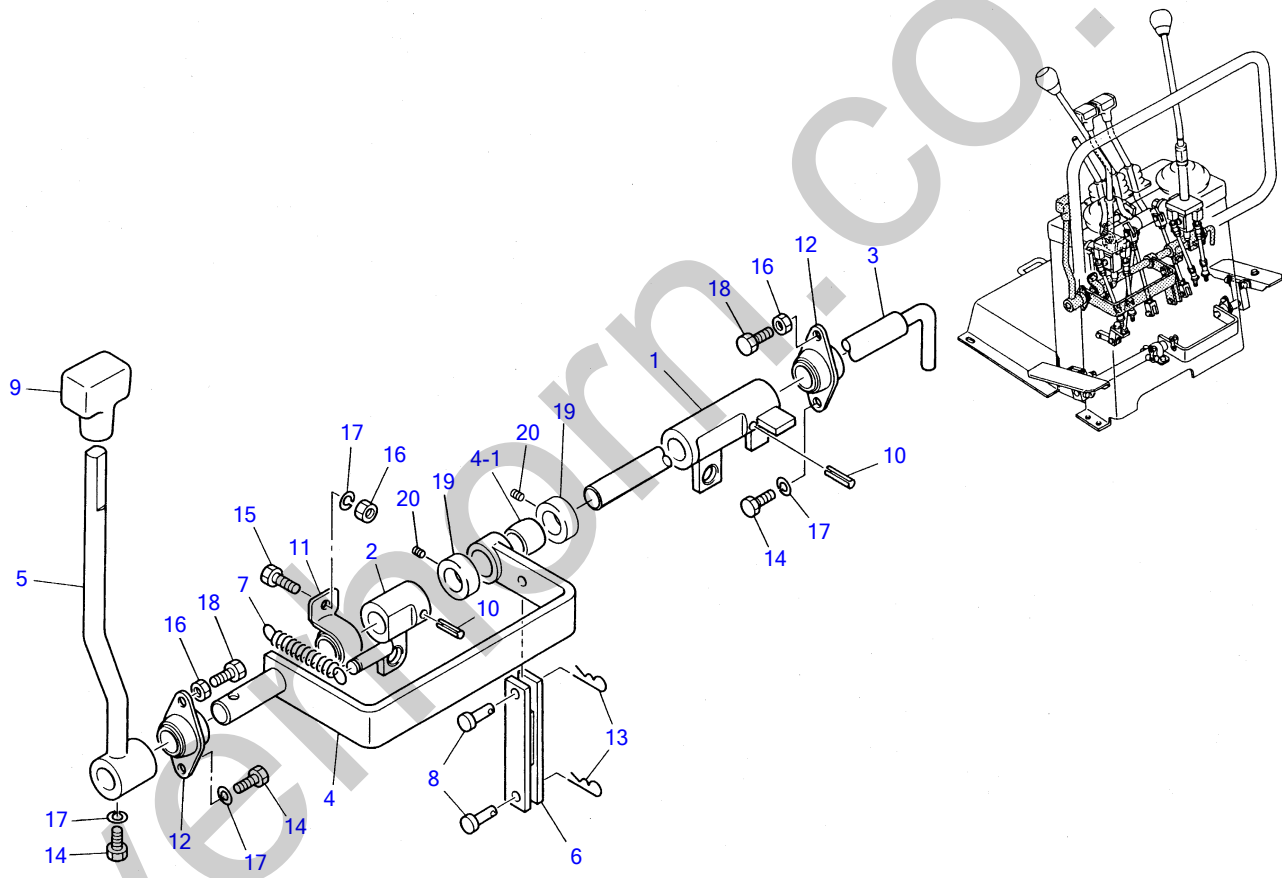
Item	Part number	Description	Q'ty	Chan.	Serial No.	Serv.	Remarks
1	0413204450	LEVER	1				
2	0323257100	LEVER	1				
3	0323257200	LEVER	1				
4	0413206900	ROD	4				
5	0413208650	SLEEVE, lock	1				
6	0433208410	SLEEVE	1				
7	0413203200	ARM	2				
8	0413208030	LEVER	2				
8-1	1333001515	• BUSHING	1				
9	0004215028	SHAFT	2		1073001~1074195		
	0053232400	SHAFT	2		1074196~		
10	0093208300	WASHER	4				
11	0083252100	WASHER	4				
12	0003600025	WASHER	2				
13	0063248800	BOOT	2				
14	1650200220	GRIP (with horn switch)	1				
15	1650200120	GRIP	1				
16	1333002020	BUSHING	2				
17	1340300060	END, rod	8				
18	1213000525	PIN, spring	2				
19	1213000325	PIN, spring	3				
20	1213000320	PIN, spring	1				
21	1220000015	RING, snap	4		1073001~1074195		
22	1533110013	RING	1				
23	1100040620	BOLT	8				
24	1130040006	NUT	17		1073001~1074195		
	1130040006	NUT	21		1074196~		
25	1130040010	NUT	2		1073001~1074195		
	1130140010	NUT	4		1074196~		
26	1140020010	WASHER, spring	2				
27	1420010140	O-RING	1				
28	1140020006	WASHER, spring	1				
29	1213010325	PIN, spring	1				
30	1225000006	WASHER	8				
31	1121040625	BOLT	2				
32	1100040612	BOLT	2				
33	1213000178	PIN, spring	1		1073575~		
34	1110040635	SCREW, cap	2		1074196~		
35	0003600110	WASHER	2		1074196~		
	B413c3L						



B4-15a-3-D

SWING PEDAL & AUXIL. PEDAL

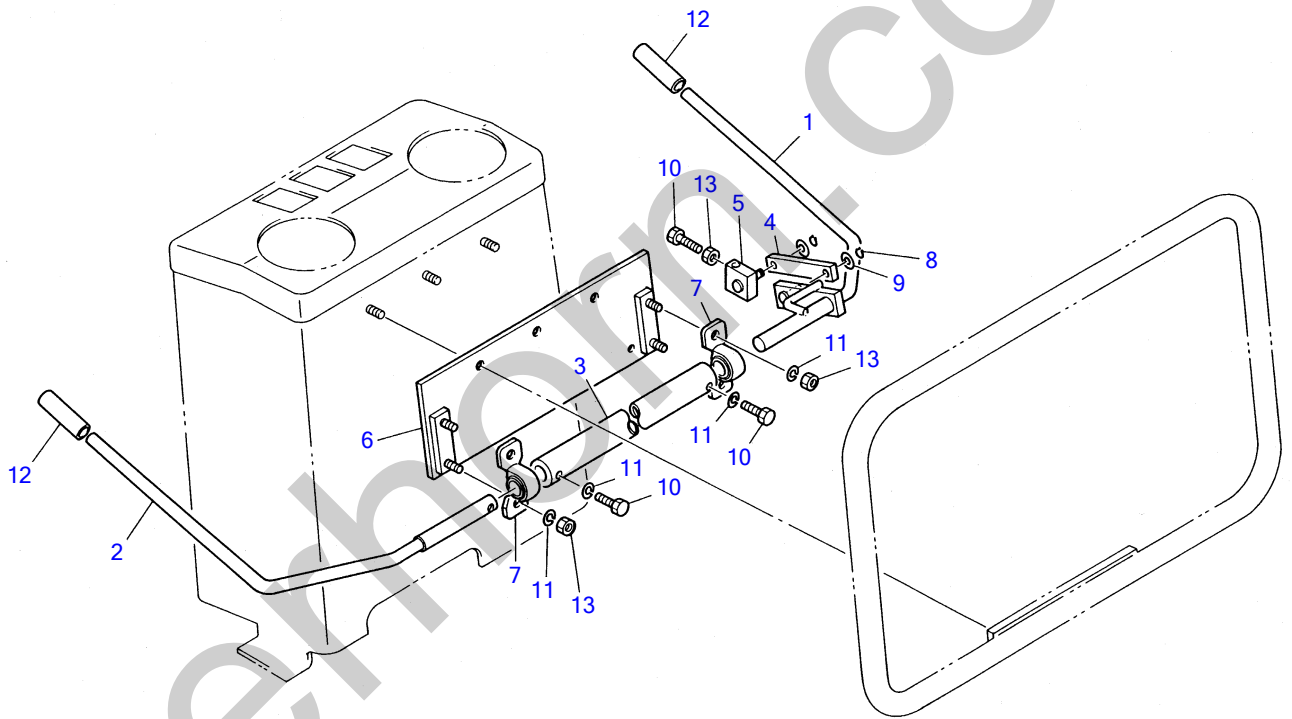
Item	Part number	Description	Q'ty	Chan.	Serial No.	Serv.	Remarks
1	0323253100	STAND, lever	1		1073001~1073262		
	0323253600	STAND, lever	1		1073263~1074339		
	(H) 0323253800	STAND, lever	1		1074340~1074381		
	(H) 0323260200	STAND, lever	1		1074382~		
1-1	0323258100	STAND, lever	1	JCBÊÛÀ°Ý/JCB pattern	1073296~1074339		JCBÊÛÀ°Ý
	(H) 0323259300	STAND, lever	1	JCBÊÛÀ°Ý/JCB pattern	1074340~1074381		JCBÊÛÀ°Ý
	(H) 0323260300	STAND, lever	1	JCBÊÛÀ°Ý/JCB pattern	1074382~		JCBÊÛÀ°Ý
2	0413208200	COVER	1		1073001~1074339		
	(H) 0323253900	COVER	1		1074340~1074381		
	0323260100	COVER	1		1074382~		
3	0323251200	COVER	1		1073001~1074381		
	0323260010	COVER	1		1074382~		
4	0413206250	LEVER	1				
5	0413206350	LEVER	1		1073001~1073859		
	(H) 0053228900	LEVER	1		1073860~		
6	0413206400	LEVER	2				
7	(L) 0413208900	PEDAL	1		1073001~1073529		
	(H) 0323253700	PEDAL	1		1073530~		
8	0323253500	PEDAL	1				
9	1620050000	LINK ASSY	2				
10	1332001518	MINI-PILLOW	1				
11	1332051518	MINI-PILLOW	2				
12	1100040620	BOLT	8				
13	1100040640	BOLT	2				
14	1130040006	NUT	6				
15	1140020006	WASHER, spring	9				
16	1140090006	WASHER, spring	4				
17	1150420510	SCREW	4		1073001~1074381		
	1150420510	SCREW	7		1074382~		
18	1110040620	SCREW, cap	1				
19	1141110006	WASHER	2				
20	0323252200	PIPE, front	1				
21	1100041016	BOLT	3				
22	1140020010	WASHER, spring	3				
23	1141110010	WASHER	3				
24	1100090612	BOLT	4				
25	1141190006	WASHER	4				
26	1652511010	CUSHION	1		1073515~1073529		
	1652515000	CUSHION	2		1073530~		
27	1652505700	CUSHION	1		1073515~1073517		
	1652516002	CUSHION	1		1073518~1073529		
28	0323260020	COVER	1		1074382~		
	B415a3L						



B4-16a-3-D

DOZER BLADE LEVER

Item	Part number	Description	Q'ty	Chan.	Serial No.	Serv.	Remarks
1	0413208070	LEVER	1				
2	0413208010	LEVER	1				
3	0413205150	SHAFT	1				
4	0413205250	LEVER	1				
4-1	1334001150	• BUSHING	1				
5	0413205350	LEVER	1		1073001~1073514		
	(H) 0323257300	LEVER	1		1073515~		
6	0413206700	YOKE	1				
7	0143283500	SPRING	1				
	0323255900	SPRING (with safety lever)	1		1073479~		
8	0004005117	PIN, lever	2				
9	1650200520	GRIP	1				
10	1213000525	PIN, spring	2				
11	1332001518	MINI-PILLOW	1				
12	1332051518	MINI-PILLOW	2				
13	1214000005	PIN, snap	2				
14	1100040612	BOLT	3				
15	1100040620	BOLT	2				
16	1130040006	NUT	4				
17	1140020006	WASHER, spring	5				
18	1121040640	BOLT	2				
19	0163208200	STOPPER	1	JCBÊÀ°Ý/JCB pattern	1073548~		JCBÊÀ°Ý
	0163208200	STOPPER	2		1073548~		
20	1121040808	SET-SCREW	1	JCBÊÀ°Ý/JCB pattern	1073548~		JCBÊÀ°Ý
	1121040808	SET-SCREW	2		1073548~		
	B416a3L						

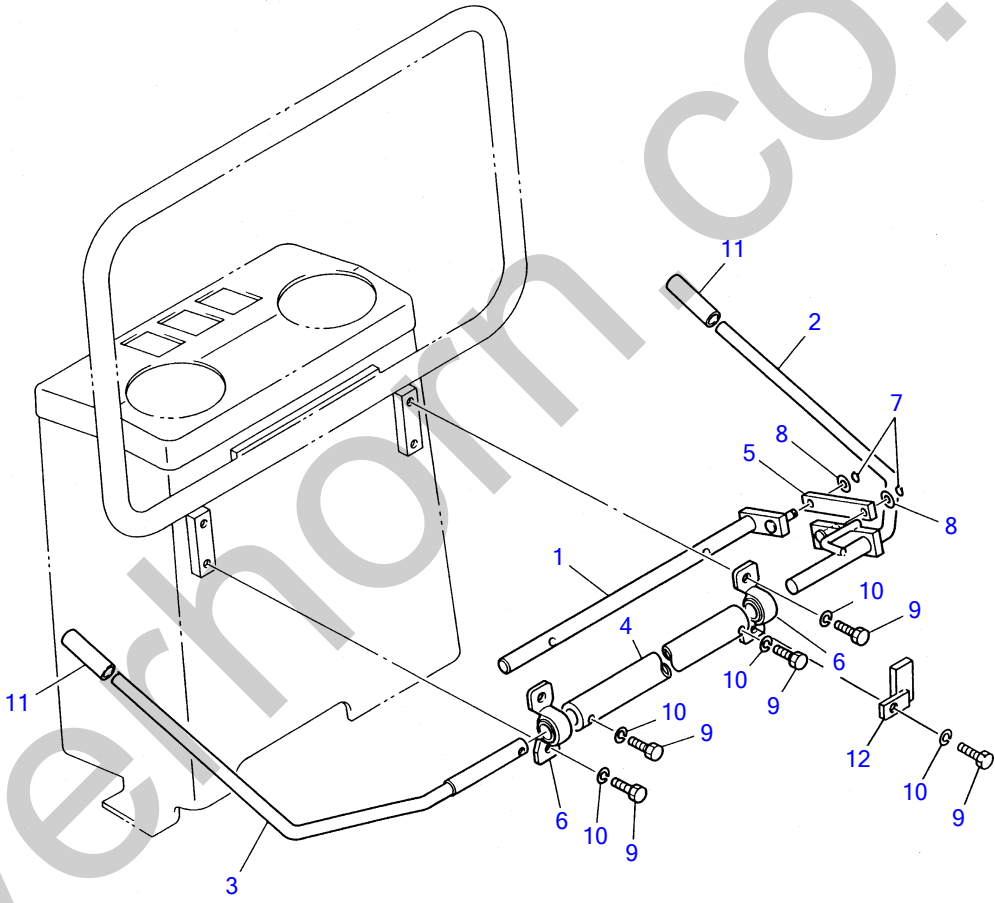


B4-17a-0-D

SAFETY LOCK LEVER

Item	Part number	Description	Q'ty	Chan.	Serial No.	Serv.	Remarks
1	0323255200	LEVER	1				
2	0323255300	LEVER	1				
3	0323255400	PIPE	1				
4	0323255500	PLATE	1				
5	0323255600	JOINT	1				
6	0323255700	PLATE	1				
7	1332001518	MINI-PILLOW	2				
8	1214000006	PIN, snap	2				
9	1141110008	WASHER	2				
10	1100040616	BOLT	3				
11	1140020006	WASHER, spring	6				
12	1650202300	GRIP	2				
13	1130040006	NUT	5				
	B417a0L						

Silverhorn.CO.UK

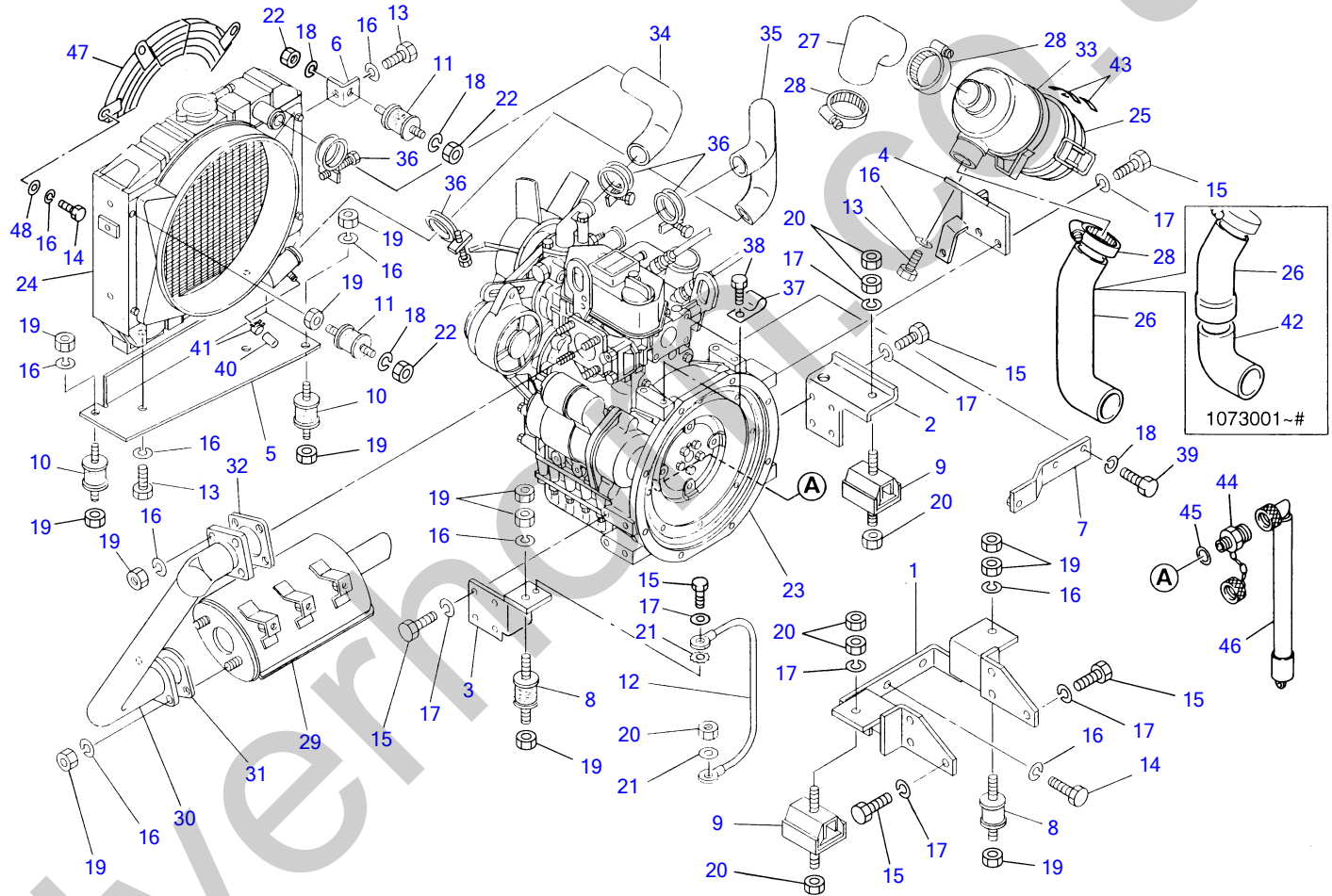


B4-17b-1-D

SAFETY LOCK LEVER

Item	Part number	Description	Q'ty	Chan.	Serial No.	Serv.	Remarks
1	0323255100	SHAFT, lever	1				
2	0323255200	LEVER	1				
3	0323255300	LEVER	1				
4	0323255400	PIPE	1				
5	0323255500	PLATE	1				
6	1332001518	MINI-PILLOW	2				
7	1214000006	PIN, snap	2				
8	1141110008	WASHER	2				
9	1100040616	BOLT	6				
10	1140020006	WASHER, spring	6				
11	1650202300	GRIP	2				
12	0323255800	STOPPER	1				
	B417b1L						

Silverhorn.CO.UK



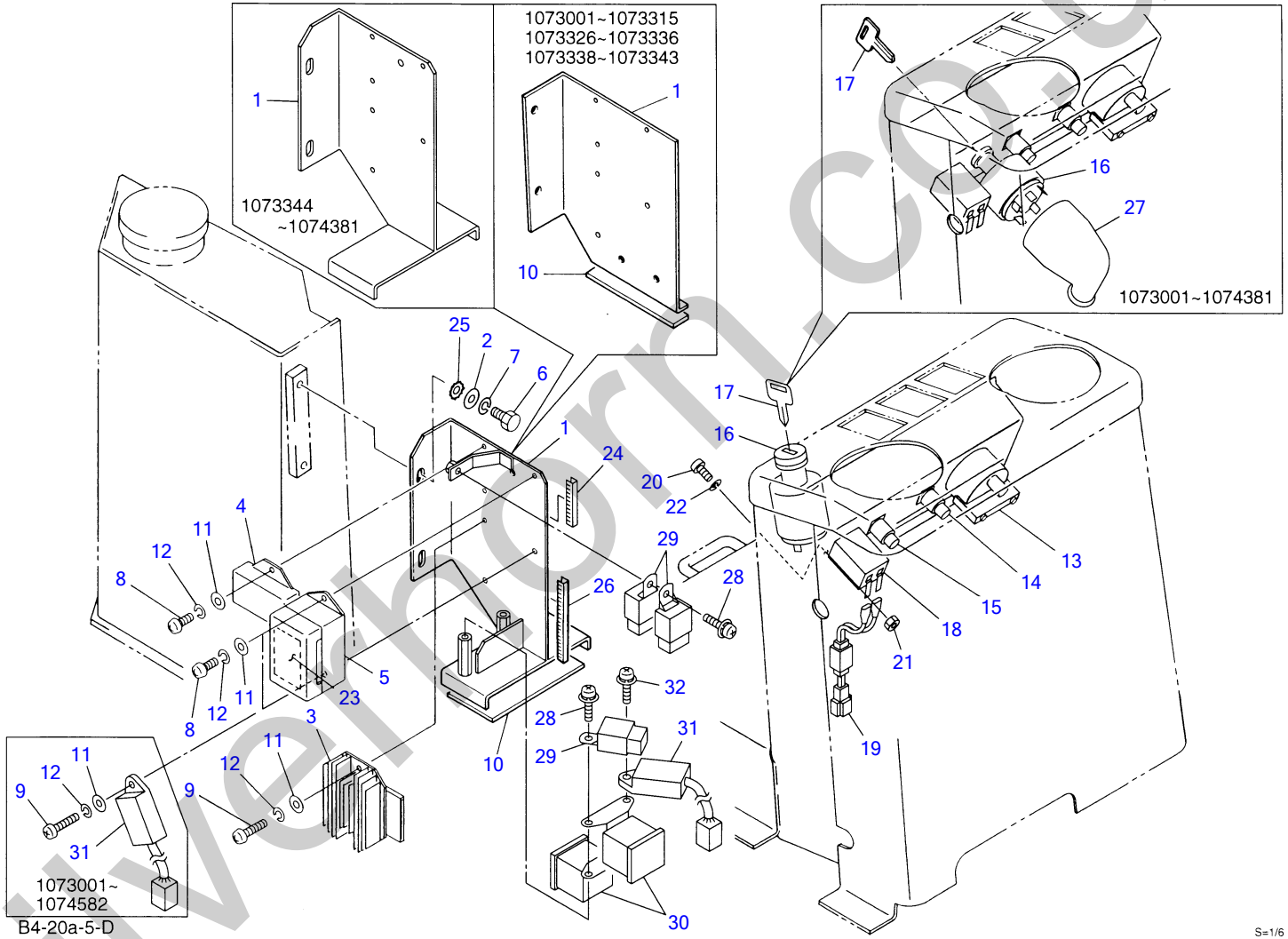
B4-18a-1-D

S=1/10

ENGINE & ACCESSORIES

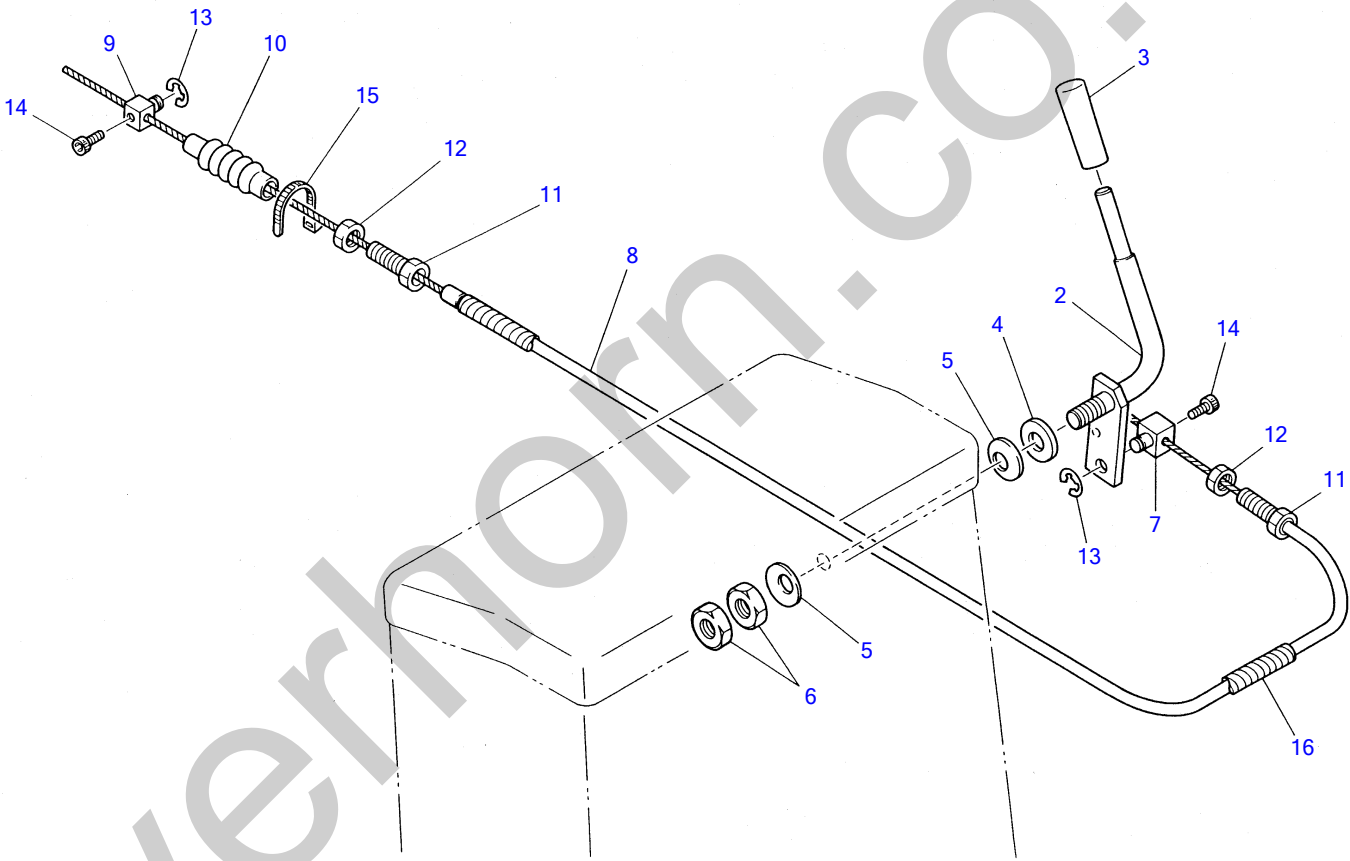
Item	Part number	Description	Qty	Chan.	Serial No.	Serv.	Remarks
1	0414002100	FOOT	1				
2	0414002200	FOOT	1				
3	0414002300	FOOT	1				
4	0414002400	BRACKET	1				
5	0414002500	PLATE	1				
6	0414002650	ANGLE	1				
7	0414002700	PLATE	1				
8	1651012004	RUBBER, cushion	2				
9	1651081361	RUBBER, cushion	2				
10	1651014003	RUBBER, cushion	2				
11	1651012001	RUBBER, cushion	2				
12	1702430280	CABLE	1				
13	1100040816	BOLT	5				
14	1100040820	BOLT	3		1073001~1073592		
	1100040820	BOLT	6		1073593~		
15	1100041020	BOLT	17				
16	1140020008	WASHER, spring	21		1073001~1073592		
	1140020008	WASHER, spring	24		1073593~		
17	1140020010	WASHER, spring	21				
18	1140020006	WASHER, spring	5				
19	1130040008	NUT	15				
20	1130040010	NUT	6				
21	1140330010	WASHER	2				
22	1130040006	NUT	3				
23	1910088001	ENGINE	1	2TN66L-UTBA	1073001~1074339		2TN66L-UTBA
	1910152001	ENGINE	1	2TNE68-ETB	1074340~		2TNE68-ETB
24	1910066002	RADIATOR	1	Y119332-44500	1073001~1074339		Y119332-44500
(H)	1910147002	RADIATOR	1	Y119332-44520	1074340~		Y119332-44520
25	1910066007	CLEANER, air	1	Y171033-12500			Y171033-12500
26	1910088013	HOSE	1	Y119332-12221	CECE^		Y119332-12221
(H)	0414002900	HOSE	1		IVCE^		
27	1910088024	HOSE	1	Y119332-12210			Y119332-12210
28	1910032047	BAND	3	Y23000-06000			Y23000-06000
29	1910088005	MUFFLER	1	Y119332-13501			Y119332-13501
30	1910088025	PIPE	1	Y119332-13551			Y119332-13551
31	1910066022	GASKET	1	Y129107-13550			Y129107-13550
32	1910051022	GASKET	1	Y124701-11910			Y124701-11910
33	1910066051	BAND	1	Y171126-12580			Y171126-12580
34	1910066011	HOSE	1	Y119332-49010	1073001~1074339		Y119332-49010
(H)	1910047011	HOSE	1		1074340~		
35	1910066012	HOSE	1	Y119332-49020			Y119332-49020
36	1910006013	BAND	4	Y23010-038000			Y23010-038000
37	0007300035	CLAMP	1				
38	1100041016	BOLT	1				
39	1100040616	BOLT	2				
40	0434005600	CAP	1				
41	1533120012	BAND	1				
42	1531500030	ELBOW	1		1073001~#		
43	0414002800	DECAL	2				
44	1554501650	PLUG	1	EUCEü/for EU			EUCEü
45	1541400716	WASHER	1	EUCEü/for EU			EUCEü
46	1554512201	TUBE	1	EUCEü/for EU			EUCEü
47	0324017100	NET	1		#~1073592		
(H)	0324017200	NET	1		1073593~		
48	1141110008	WASHER	3		1073593~		
	B418a4L						

TB007 Book No. PB4-101Z6 S/N1073001-1074744
CONTROL BOX



S=1/6

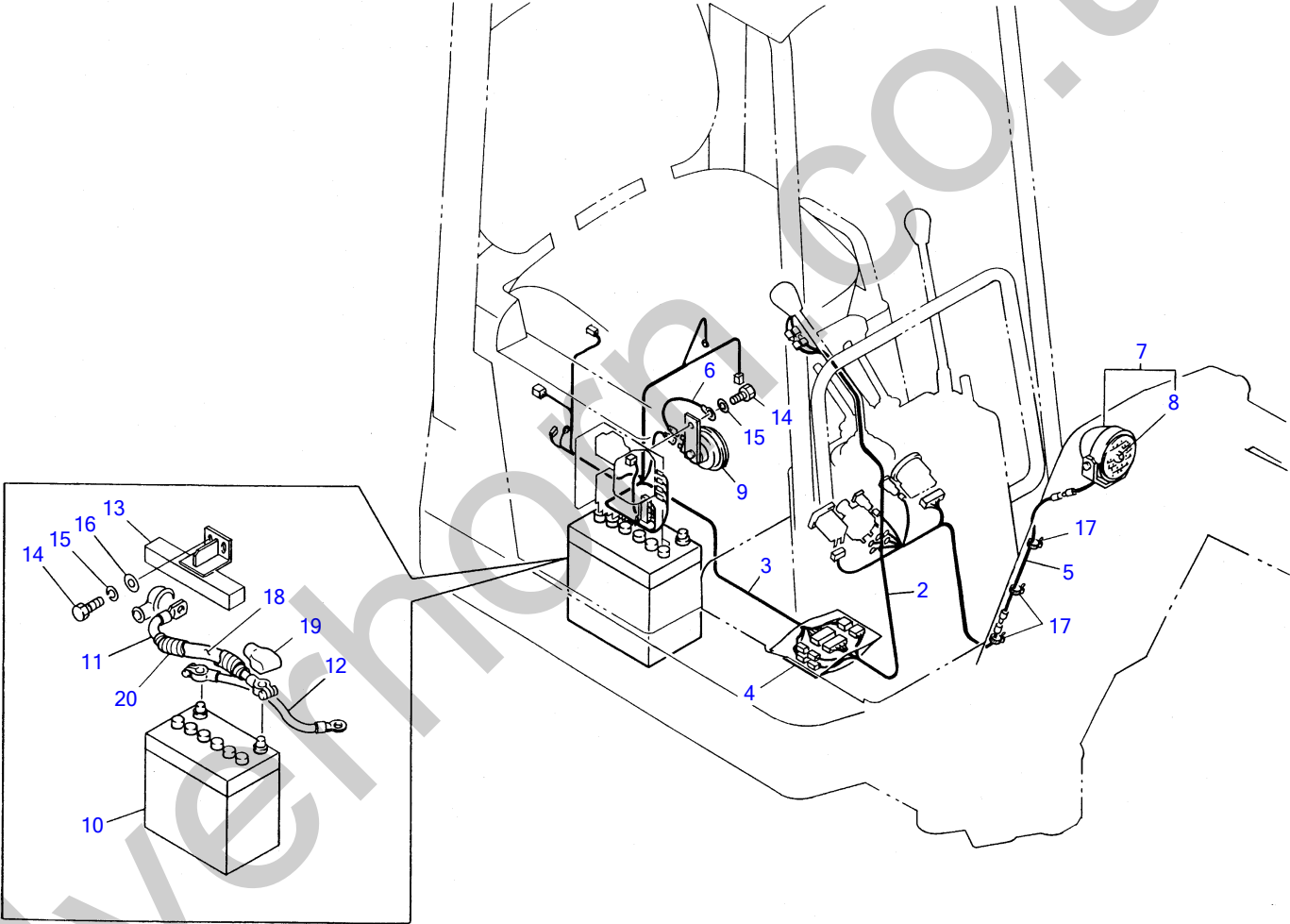
Item	Part number	Description	CONTROL BOX		Serial No.	Serv.
			Q'ty	Chan.		
1	0414302100	PANEL	1	1073326~1073336	1073001~1073315, 1073338~1073343	
	0324312100	PANEL	1	1073337, 1073344~1074381	1073316~1073325, 1074382~	
2	(H) 0324315200	PANEL	1			
	0003608003	WASHER	2			
3	1910066106	LIMITER, current	1	Y119660-77710		
4	1910066117	REGISTER, grow	1	Y119332-77810		
5	1701201400	BOX, fuse	1		1073001~1074339	
6	1100040812	BOLT	2			
7	1140020008	WASHER, spring	2			
8	1120530512	SCREW	4			
9	1120530520	SCREW	2			
10	0414302200	RUBBER, cushion	1	1073326~1073336	1073001~1073315,1073338~1073343	
	0324312200	RUBBER, cushion	1	1073337, 1073344~	1073316~1073325,	
11	1141110005	WASHER	6			
12	1140020005	WASHER, spring	6			
13	1730100010	GAUGE, water temp	1			
14	1700550002	LAMP, charge	1			
15	1700550003	LAMP, oil	1			
16	1700100023	SWITCH, starter	1		1073001~1074381	
	1700100048	SWITCH, starter	1		1074382~	
17	1700100019	KEY	1			
18	1730000300	METER, hour	1			
19	1730000310	· HARNESS	1			
20	1120530312	SCREW	2			
21	1130030003	NUT	2			
22	1140020003	WASHER, spring	2			
23	0414302300	DECAL	1	"ú{Œü/for Japan	1073001~1074339	
	0414303100	DECAL	1		1073001~1074339	
24	1653916005	TRIM	1	Ò°À" „,è/sold by the meter		
25	1140330008	WASHER	1			
26	1653916010	TRIM	1	Ò°À" „,è/sold by the meter		
27	0870431821	PROTECTOR	1		1073001~1074381	
28	1150410616	SCREW	2		1074382~	
29	1711900042	RELAY	3		1074382~	
30	1910152119	RELAY	2	Y119650-77910	1074382~	
31	1910152116	TIMER	1	Y129211-77920	1074382~	
32	1150410620	SCREW	1		1074583~	
	B420a5L					



B4-21a-1-D

Item	Part number	Description	ENGINE CONTROL		Serial No.	Serv.	Remarks
			Q'ty	Chan.			
1	0414190020	LEVER ASSY	1				
2	0414105300	• LEVER	1				
3	1650132050	• GRIP	1				
4	1141540012	• WASHER	1				
5	1225120012	• SPRING, conical	2				
6	1130540012	• NUT	2				
7	0007900016	PIN	1				
8	0414105200	WIRE, control	1				
9	0007900021	PIN	1				
10	0007900014	BOOT	1				
11	0007900019	BOLT	2				
12	1130040008	NUT	2				
13	1224010006	E-RING	2				
14	1110040510	SCREW, cap	2				
15	1652201003	BAND	1				
16	1703210745 B421a2L	PROTECTOR	1		0°À",,è/sold by the meter 1073377~		0°À",,è

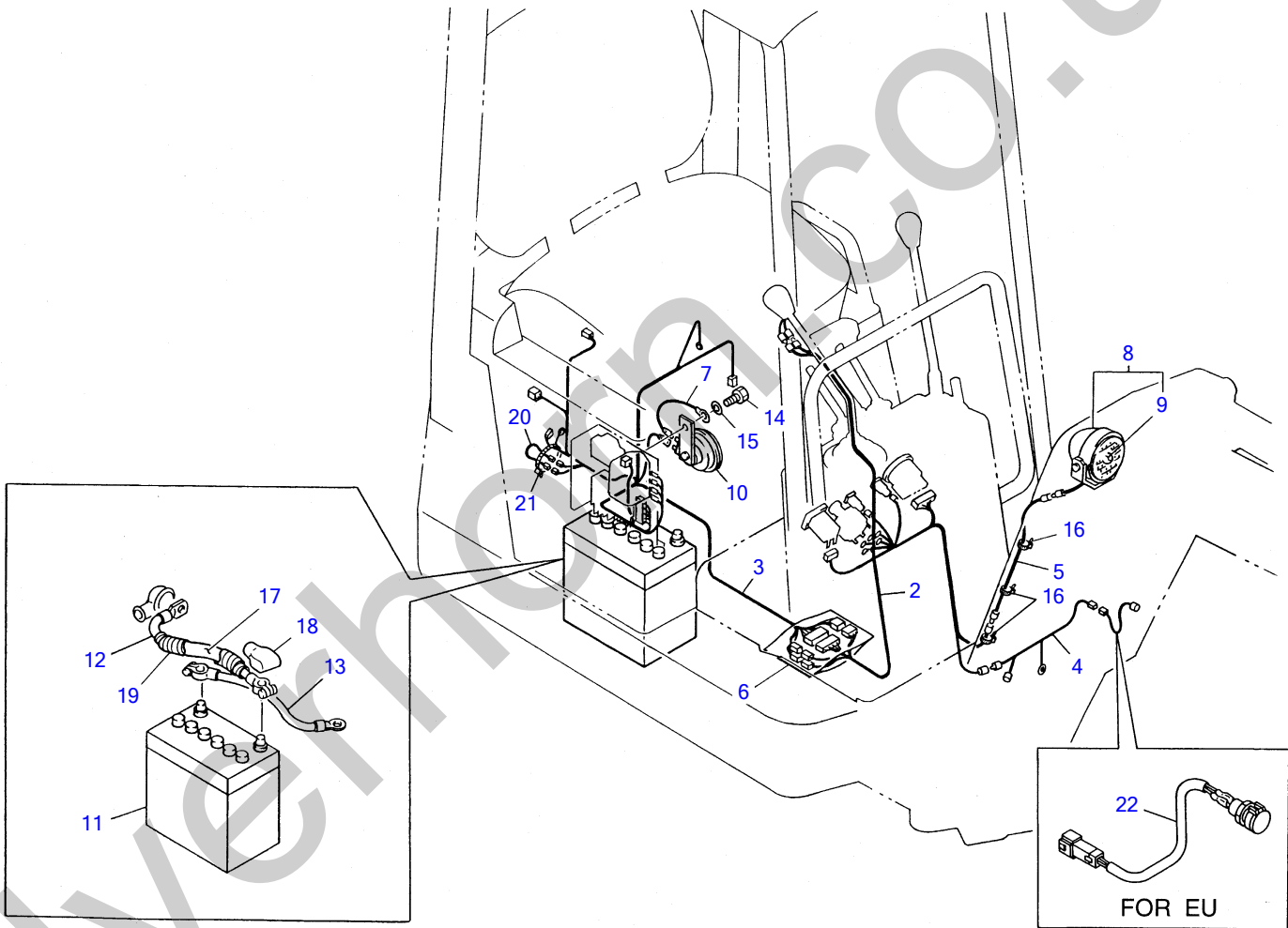
Silverhorn.CO.UK



B4-22a-2-D

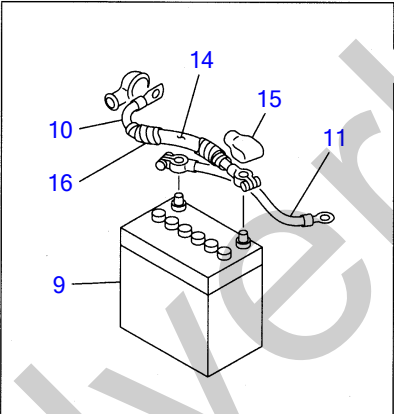
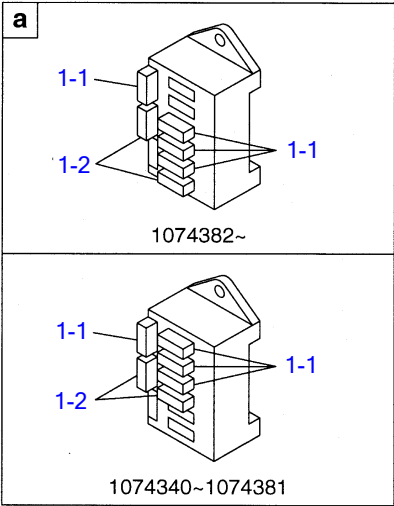
ELECTRICAL

Item	Part number	Description	Q'ty	Chan.	Serial No.	Serv.	Remarks
1	0414290010	HARNESS ASSY	1				
2	0414203100	· HARNESS, wiring	1				
3	0414203200	· HARNESS, wiring	1				
4	1531335017	PROTECTOR	1	0°À",è/sold by the meter			0°À",è
5	0414202600	WIRE	1				
6	0424200700	WIRE	1				
7	1703000300	LAMP ASSY	1				
8	1703000203	· BULB	1				
9	1703500712	HORN	1				
10	1702043620	BATTERY	1				
11	1702722035	CABLE, battery	1				
12	1702222030	CABLE, earth	1				
13	0414401100	BRACKET	1	1073326~1073336	1073001~1073315, 1073338~1073343		1073326~1073336
14	1100040812	BOLT	3	1073326~1073336	1073001~1073315, 1073338~1073343		1073326~1073336
15	1100040812	BOLT	1	1073337, 1073344~	1073316~1073325,		1073337, 1073344~
	1140020008	WASHER, spring	3	1073326~1073336	1073001~1073315, 1073338~1073343		1073326~1073336
	1140020008	WASHER, spring	1	1073337, 1073344~	1073316~1073325,		1073337, 1073344~
16	1141110008	WASHER	2	1073326~1073336	1073001~1073315, 1073338~1073343		1073326~1073336
17	1652201005	BAND	3				
18	1703211030	PROTECTOR	1	0°À",è/sold by the meter			0°À",è
19	1702910006	COVER	1				
20	1532215030 B422a3L	PROTECTOR	1	0°À",è/sold by the meter			0°À",è

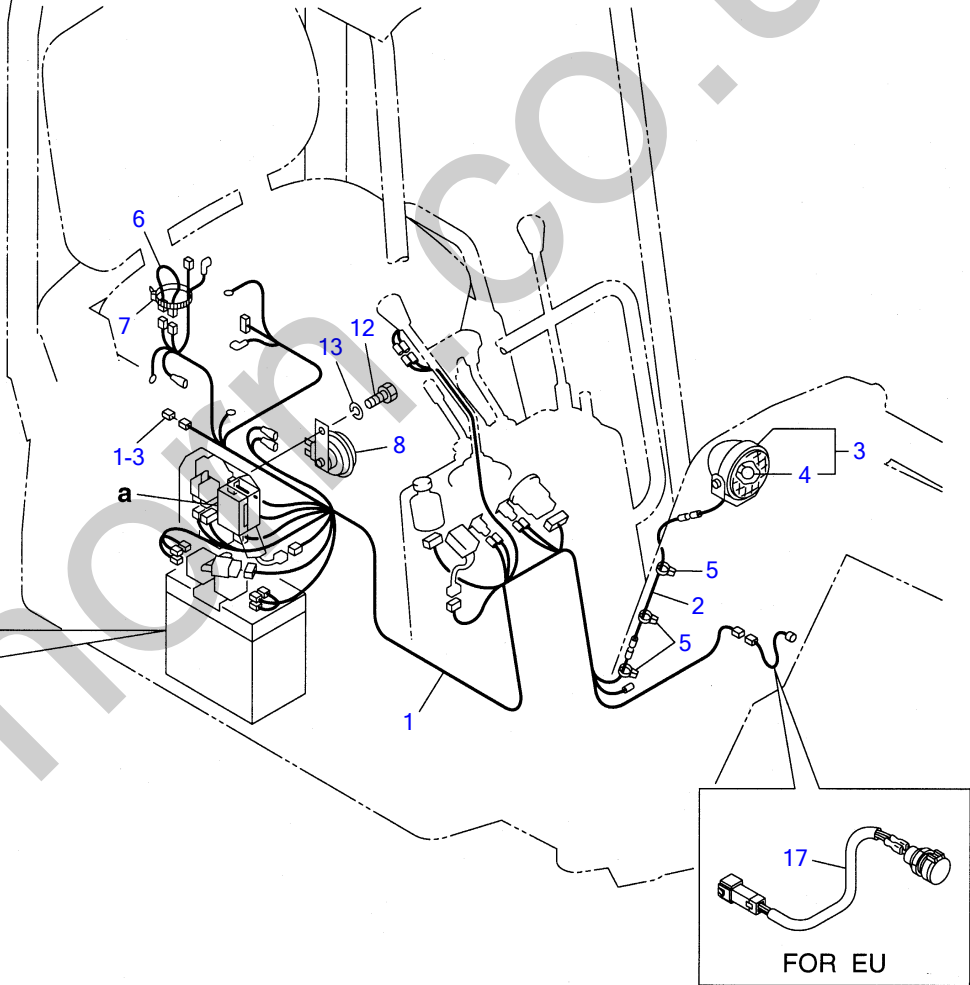


B4-22a-3-D

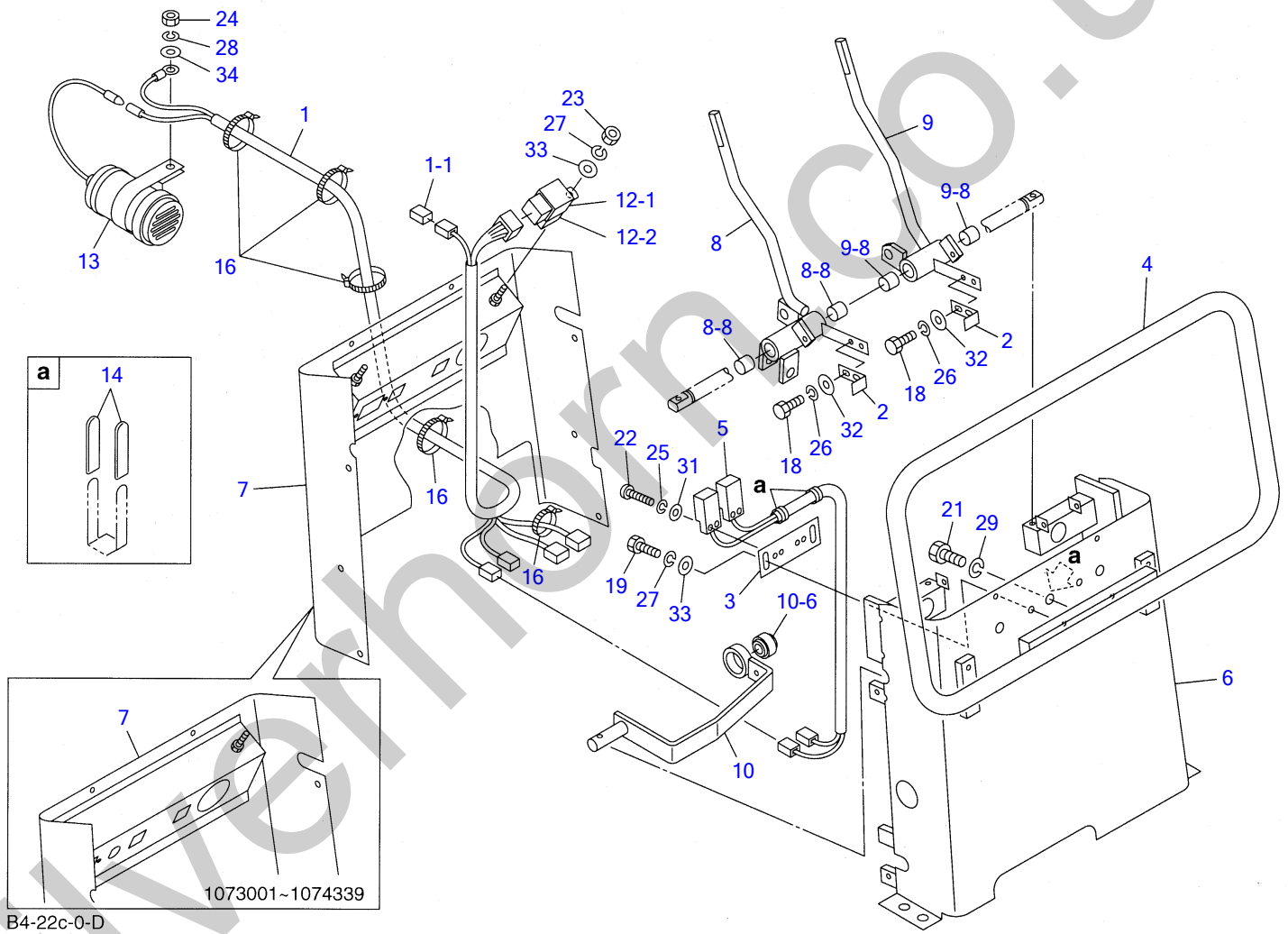
Item	Part number	Description	Q'ty	Chan.	Serial No.	Serv.	Remarks
1	0324290000	HARNESS ASSY	1				
2	0414203100	· HARNESS, wiring	1				
3	0324251100	· HARNESS, wiring	1				
4	0324251200	· HARNESS, wiring	1	EUCEü/for EU			EUCEü
5	0414202600	WIRE	1				
6	1531335017	PROTECTOR	1	Ò°À"„,è/sold by the meter			Ò°À"„,è
7	0424200700	WIRE	1				
8	1703000300	LAMP ASSY	1				
9	1703000203	· BULB	1				
10	1703500712	HORN	1				
11	1702043620	BATTERY	1				
12	1702722035	CABLE, battery	1				
13	1702222030	CABLE, earth	1				
14	1100040812	BOLT	1				
15	1140020008	WASHER, spring	1				
16	1652201005	BAND	3				
17	1703211030	PROTECTOR	1	Ò°À"„,è/sold by the meter			Ò°À"„,è
18	1702910006	COVER	1				
19	1532215030	PROTECTOR	1	Ò°À"„,è/sold by the meter			Ò°À"„,è
20	0494200800	LINK, fusible	1				
21	1652231250	BAND	1				
22	0394203100 B422a4L	SOCKET ASSY	1	EUCEü/for EU			EUCEü



B4-22b-0-D

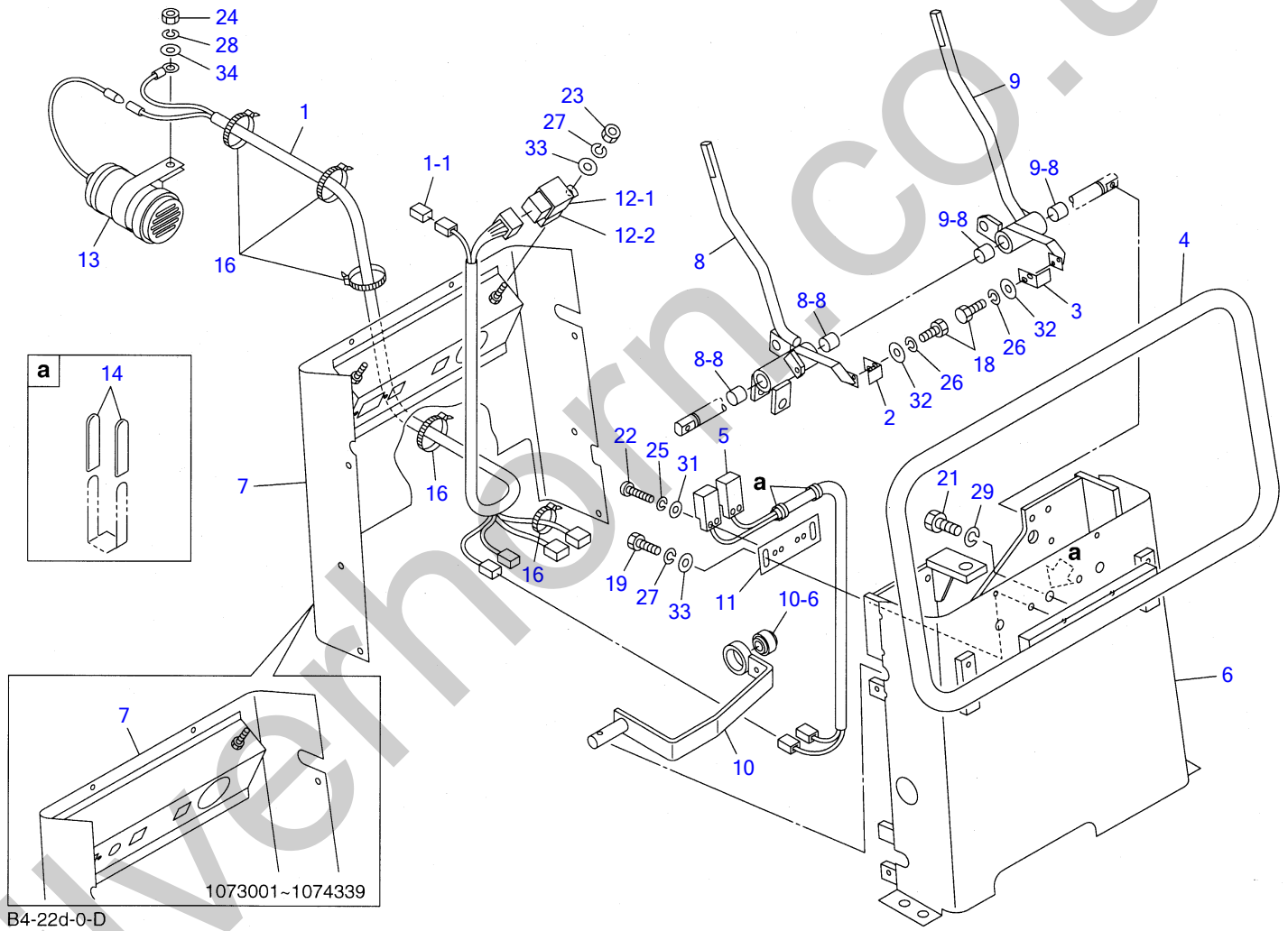


Item	Part number	Description	Q'ty	Chan.	Serial No.	Serv.	Remarks
		ELECTRICAL ASSY		03242-54000/	1074340~1074381		03242-54000
		ELECTRICAL ASSY		03242-57000/	1074382~		03242-57000
1	0324254100	HARNES, wiring	1		1074340~1074381		
	0324257100	HARNES, wiring	1		1074382~		
1-1	1701310010	· FUSE	4	10A			10A
1-2	1701310030	· FUSE	2	30A			30A
1-3	1730500008	· DIODE (3A, yellow)	1				
2	0414202600	WIRE	1				
3	1703000300	LAMP	1				
4	1703000203	· BULB	1				
5	1652201005	BAND	3				
6	0494200800	LINK, fusible	1				
7	1652231250	BAND	1				
8	1703500712	HORN	1				
9	1702043620	BATTERY	1				
10	1702722035	CABLE, battery	1				
11	1702222030	CABLE, earth	1				
12	1100040812	BOLT	1				
13	1140020008	WASHER, spring	1				
14	1703211030	PROTECTOR	1	0°À" „,è/sold by the meter			0°À" „,è
15	1702910006	COVER	1				
16	1532215030	PROTECTOR	1	0°À" „,è/sold by the meter			0°À" „,è
17	0394203100	SOCKET ASSY	1	EUCEü/for EU			EUCEü
	B422b0L						



TRAVEL ALARM

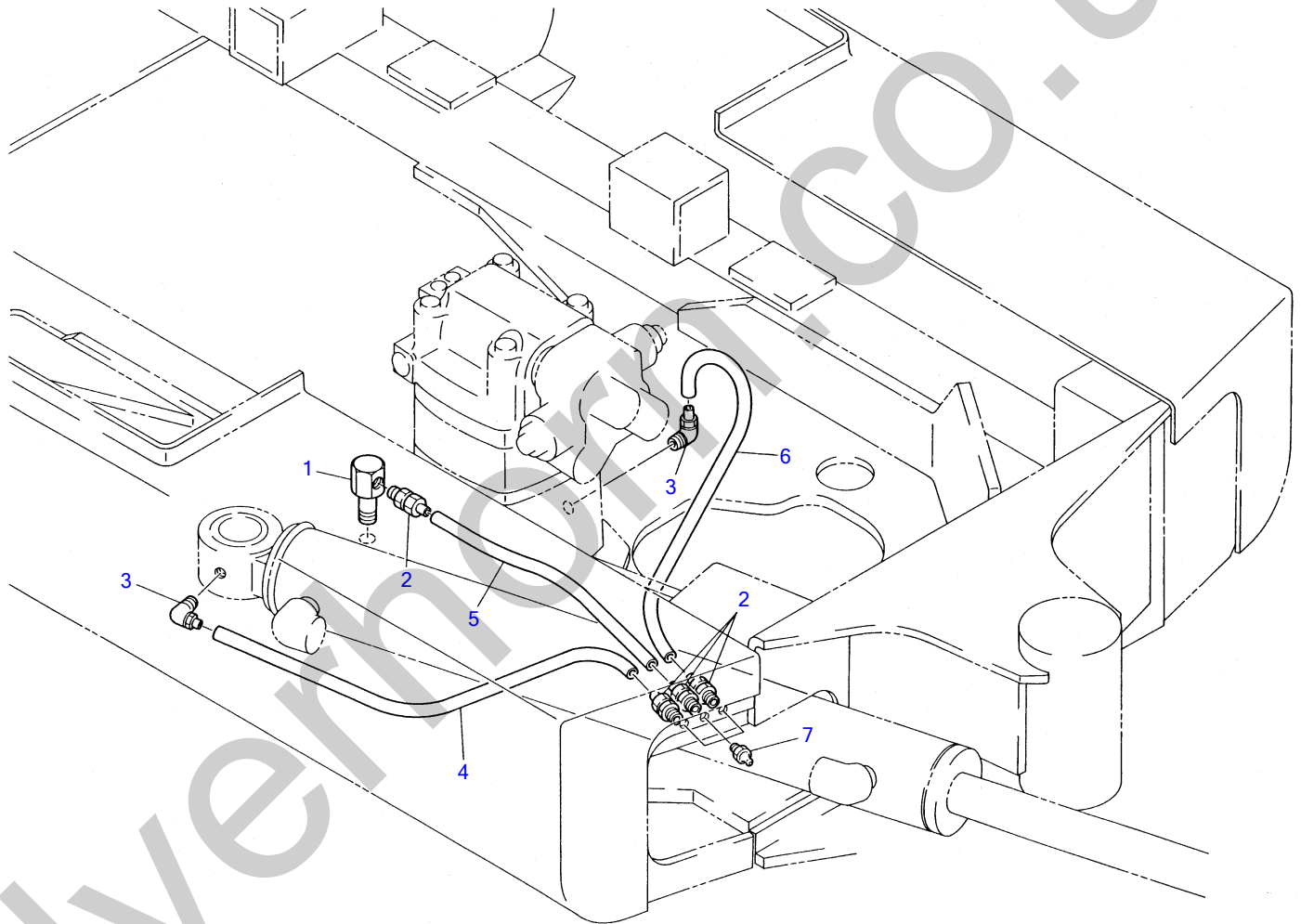
Item	Part number	Description	Q'ty	Chan.	Serial No.	Serv.	Remarks
		ALARM ASSY, travel		□~03242-52000/	1073001~1074339		□~03242-52000
		ALARM ASSY, travel		□~03242-55000/	1074340~		□~03242-55000
1	0324251150	HARNASS, wiring	1				
1-1	1730500008	• DIODE (3A, yellow)	1				
2	0324251250	PLATE	2				
3	0324251350	PLATE	1				
4	0324252090	PIPE	1				
5	0324252100	SWITCH ASSY	1				
6	0324252200	STAND	1		1073001~1074339		
	0324260200	STAND	1		1074340~		
7	0324252300	COVER	1		1073001~1074339		
	0324260100	COVER	1		1074340~		
8	0324252700	LEVER	1				
8-8	1333001515	• BUSHING	2				
9	0324252800	LEVER	1				
9-8	1333001515	• BUSHING	2				
10	0324252600	LEVER	1				
10-6	1334001150	• BUSHING	1				
12	0334230130	RELAY ASSY	1				
12-1	1711900042	• RELAY	1				
12-2	1654302003	• SPONGE	1				
13	0354211050	BUZZER	1				
14	0872433150	CLAMP	4				
16	1652231250	BAND	5				
18	1100040410	BOLT	4				
19	1100040620	BOLT	2				
21	1100041016	BOLT	2				
22	1120530312	SCREW	4				
23	1130030006	NUT	1				
24	1130030008	NUT	1				
25	1140020003	WASHER, spring	4				
26	1140020004	WASHER, spring	4				
27	1140020006	WASHER, spring	3				
28	1140020008	WASHER, spring	1				
29	1140020010	WASHER, spring	2				
31	1141110003	WASHER	4				
32	1141110004	WASHER	4				
33	1141110006	WASHER	3				
34	1141110008	WASHER	1				
	B422c0L						



TRAVEL ALARM

Item	Part number	Description	Q'ty	Chan.	Serial No.	Serv.	Remarks
		ALARM ASSY, travel		□~03242-53000/	1074067~1074339		□~03242-53000
		ALARM ASSY, travel		□~03242-56000/	1074340~		□~03242-56000
1	0324251150	HARNASS, wiring	1				
1-1	1730500008	• DIODE (3A, yellow)	1				
2	0324253010	PLATE (R.H.)	1				
3	0324253020	PLATE (L.H.)	1				
4	0324252090	PIPE	1				
5	0324252100	SWITCH ASSY	1				
6	0324253100	STAND	1		1074067~1074339		
	0324260300	STAND	1		1074340~		
7	0324252300	COVER	1		1073001~1074339		
	0324260100	COVER	1		1074340~		
8	0324253200	LEVER	1				
8-8	1333001515	• BUSHING	2				
9	0324253300	LEVER	1				
9-8	1333001515	• BUSHING	2				
10	0324252600	LEVER	1				
10-6	1334001150	• BUSHING	1				
11	0324051350	PLATE	1				
12	0334230130	RELAY ASSY	1				
12-1	1711900042	• RELAY	1				
12-2	1654302003	• SPONGE	1				
13	0354211050	BUZZER	1				
14	0872433150	CLAMP	4				
16	1652231250	BAND	5				
18	1100040410	BOLT	4				
19	1100040620	BOLT	2				
21	1100041016	BOLT	2				
22	1120530312	SCREW	4				
23	1130030006	NUT	1				
24	1130030008	NUT	1				
25	1140020003	WASHER, spring	4				
26	1140020004	WASHER, spring	4				
27	1140020006	WASHER, spring	3				
28	1140020008	WASHER, spring	1				
29	1140020010	WASHER, spring	2				
31	1141110003	WASHER	4				
32	1141110004	WASHER	4				
33	1141110006	WASHER	3				
34	1141110008	WASHER	1				

B422d0L

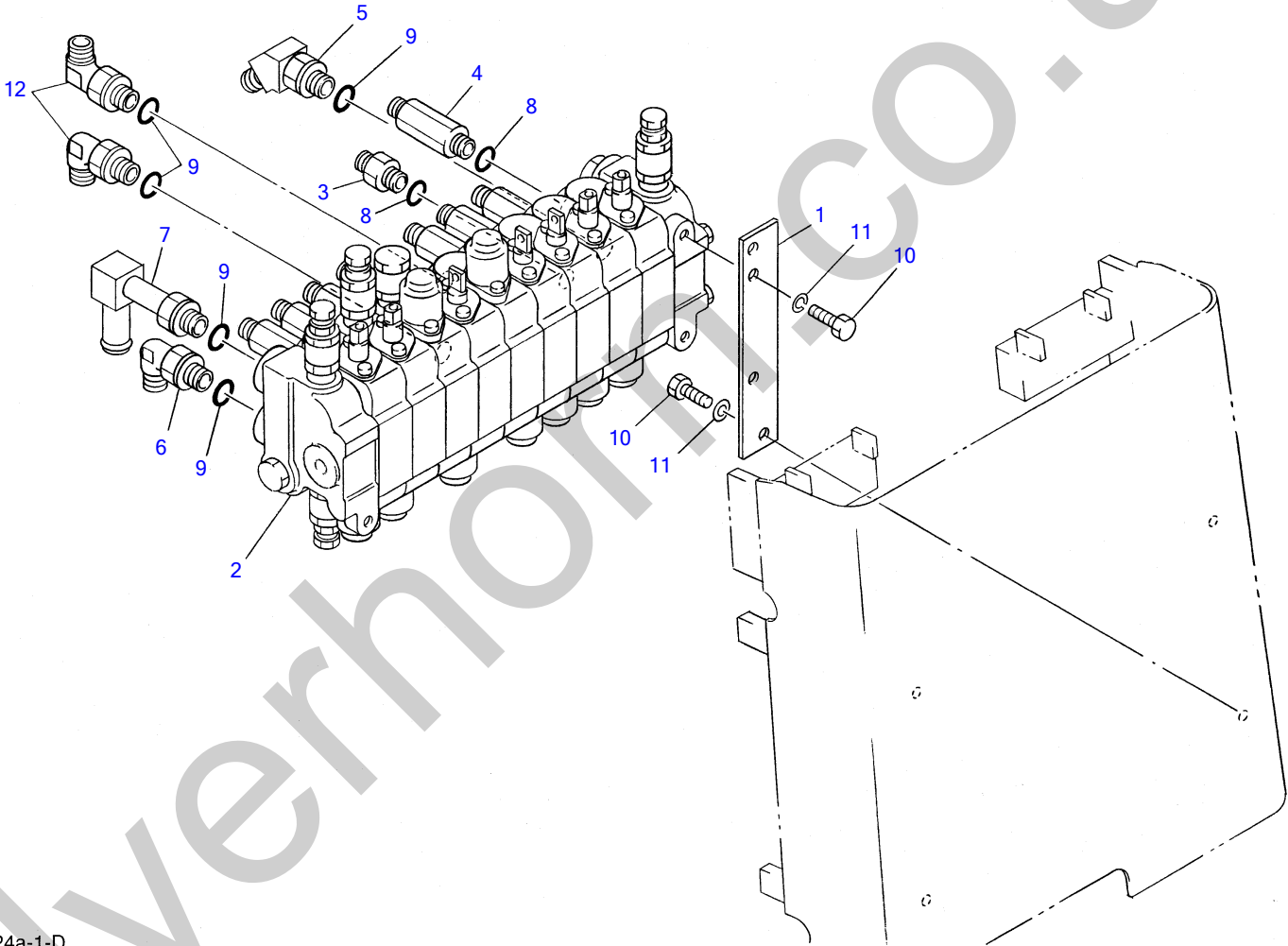


B4-23a-1-D

GREASE PIPING

Item	Part number	Description	Q'ty	Chan.	Serial No.	Serv.	Remarks
1	0007262006	ELBOW	1				
2	1532520601	ADAPTOR	4				
3	1532620601	ELBOW	2				
4	1532020663	TUBE	1	Ø 1/2" /sold by the meter			Ø 1/2" /
5	1532020635	TUBE	1	Ø 1/2" /sold by the meter			Ø 1/2" /
6	1532020650	TUBE	1	Ø 1/2" /sold by the meter			Ø 1/2" /
7	1560001000 B423a1L	FITTING, grease	3				

Silverhorn.CO.UK

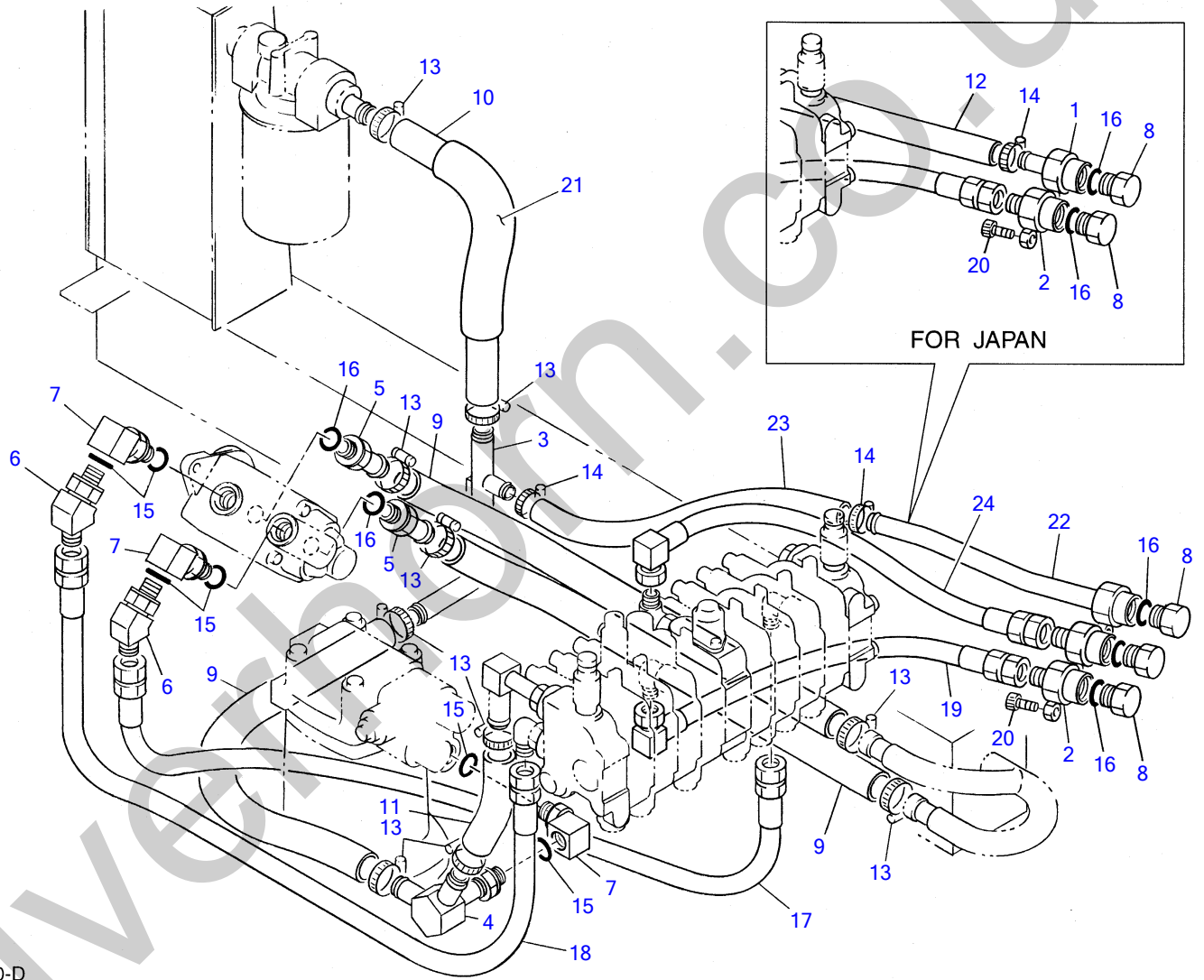


B4-24a-1-D

VALVE & ACCESSORIES

Item	Part number	Description	Q'ty	Chan.	Serial No.	Serv.	Remarks
1	0415002200	PLATE	2				
2	1901029000	VALVE, control	1		1073001~1073871		
	(H) 1901036200	VALVE, control	1		1073872~		
	1901031100	VALVE, control	1	JCBÈßÀ°Ý/JCB pattern	1073001~1073871		JCBÈßÀ°Ý
	(H) 1901036300	VALVE, control	1	JCBÈßÀ°Ý/JCB pattern	1073872~		JCBÈßÀ°Ý
3	0007203015	ADAPTOR	8				
4	0007203022	ADAPTOR	8				
5	1515100136	ELBOW	1				
6	1515010130	ELBOW	1				
7	1513350002	ELBOW	1				
8	1420010110	O-RING	16				
9	1420010140	O-RING	4	"ú{CEü/for Japan			"ú{CEü
	1420010140	O-RING	5				
10	1100040816	BOLT	7				
11	1140020008	WASHER, spring	7				
12	1515010041	ELBOW	1	"ú{CEü/for Japan			"ú{CEü
	1515010041	ELBOW	2				
	B424a2L						

Silverhorn.CO.UK



B4-25a-0-D

PIPING; UPPER 1

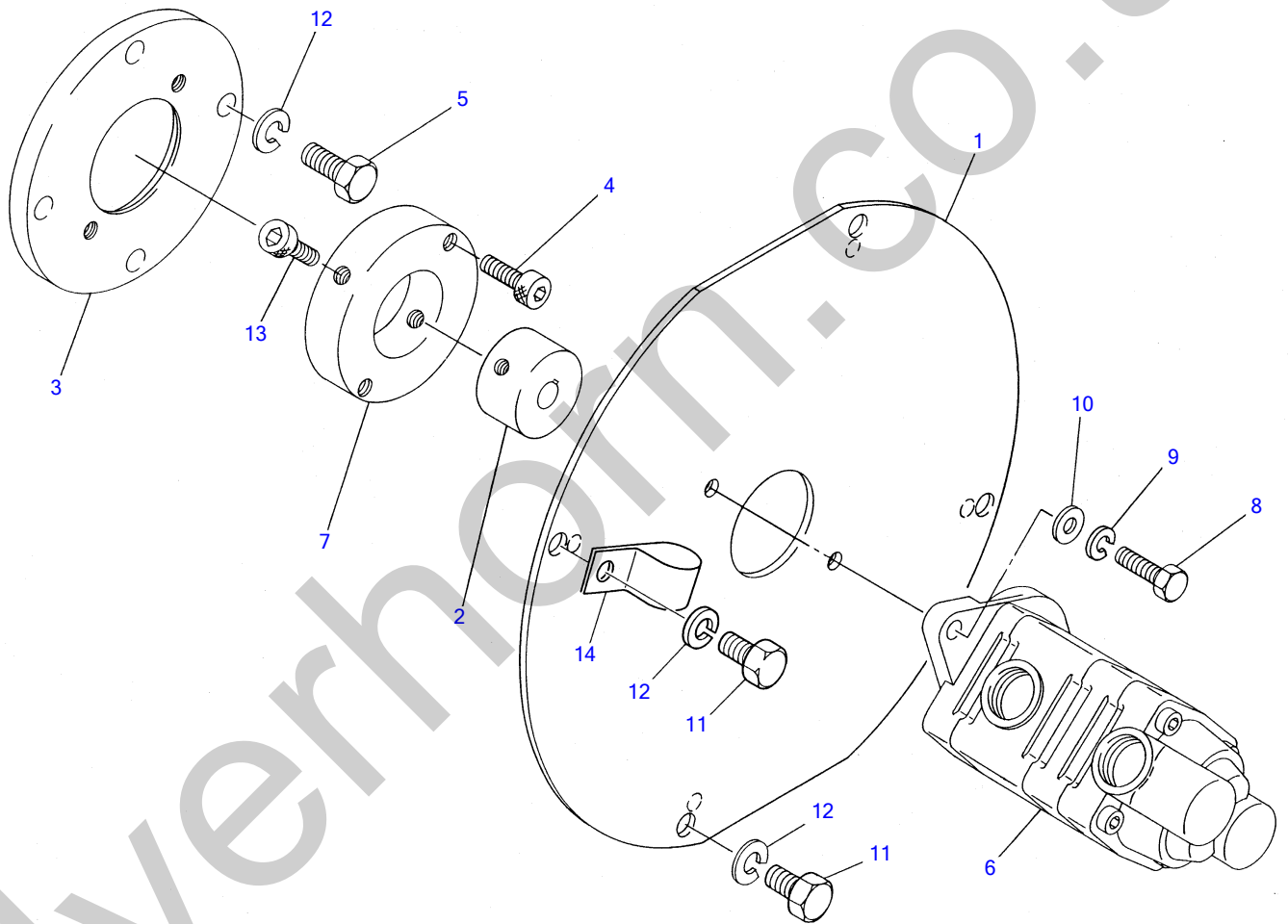
Item	Part number	Description	Q'ty	Chan.	Serial No.	Serv.	Remarks
1	0417002100	ADAPTOR	1	"ú-Œü/for Japan			"ú-Œü
2	0417002200	ADAPTOR	1	"ú-Œü/for Japan			"ú-Œü
	0417002200	ADAPTOR	2				
3	0417002500	PIPE	1				
4	0417002400	ADAPTOR	1				
5	0007224007	ADAPTOR	2				
6	1515100111	ELBOW	2				
7	1513300017	ELBOW	3				
8	1501750004	PLUG	2	"ú-Œü/for Japan			"ú-Œü
	1501750004	PLUG	3				
9	1530519040	HOSE	3	Ò°À",è/sold by the meter			Ò°À",è
10	1530519038	HOSE	1	Ò°À",è/sold by the meter			Ò°À",è
11	1530519012	HOSE	1	Ò°À",è/sold by the meter			Ò°À",è
12	1530516042	HOSE (for Japan)	1	Ò°À",è/sold by the meter			Ò°À",è
13	1533700028	BAND	10				
14	1533700025	BAND	2				
15	1420010140	O-RING	6				
16	1420010180	O-RING	4	"ú-Œü/for Japan			"ú-Œü
	1420010180	O-RING	5				
17	1939109070	HOSE ASSY	1				
18	1939109065	HOSE ASSY	1				
19	1939309033	HOSE ASSY	1				
20	1110040820	SCREW, cap	2	"ú-Œü/for Japan			"ú-Œü
	1110040820	SCREW, cap	3				
21	1532218115	PROTECTOR	1	Ò°À",è/sold by the meter			Ò°À",è
22	0327051100	PIPE	1				
23	1530516026	HOSE	1	Ò°À",è/sold by the meter			Ò°À",è
24	1939309052	HOSE ASSY	1				

B425a5L

PIPING; UPPER 2

Item	Part number	Description	Q'ty	Chan.	Serial No.	Serv.	Remarks
1	1515100110	ELBOW	2				
2	1515012040	ELBOW	5				
3	1420010110	O-RING	8				
4	0327051200	HOSE ASSY	1	19358-06052			19358-06052
5	0327051210	HOSE ASSY	1	19358-06062			19358-06062
6	1939306032	HOSE ASSY	1				
7	1939906001	HOSE ASSY	1				
8	1939306028	HOSE ASSY	1				
9	1939306027	HOSE ASSY	1				
10	1939306020	HOSE ASSY	1				
11	1939306027	HOSE ASSY	1				
12	1939306050	HOSE ASSY	1				
	1939306055	HOSE ASSY	1	JCBÊÛÀ°Ý/JCB pattern			JCBÊÛÀ°Ý
13	1939306040	HOSE ASSY	1				
	1939306045	HOSE ASSY	1	JCBÊÛÀ°Ý/JCB pattern			JCBÊÛÀ°Ý
14	1532620601	ELBOW	1				
15	1532520601	ADAPTOR	1				
16	1532720601	TEE	2				
17	1532020618	TUBE	1	Ò°À°„,è/sold by the meter			Ò°À°„,è
18	1532020635	TUBE	1	Ò°À°„,è/sold by the meter			Ò°À°„,è
19	1515600200	ADAPTOR	3				
20	1532020610	TUBE	1	Ò°À°„,è/sold by the meter			Ò°À°„,è

B426a3L

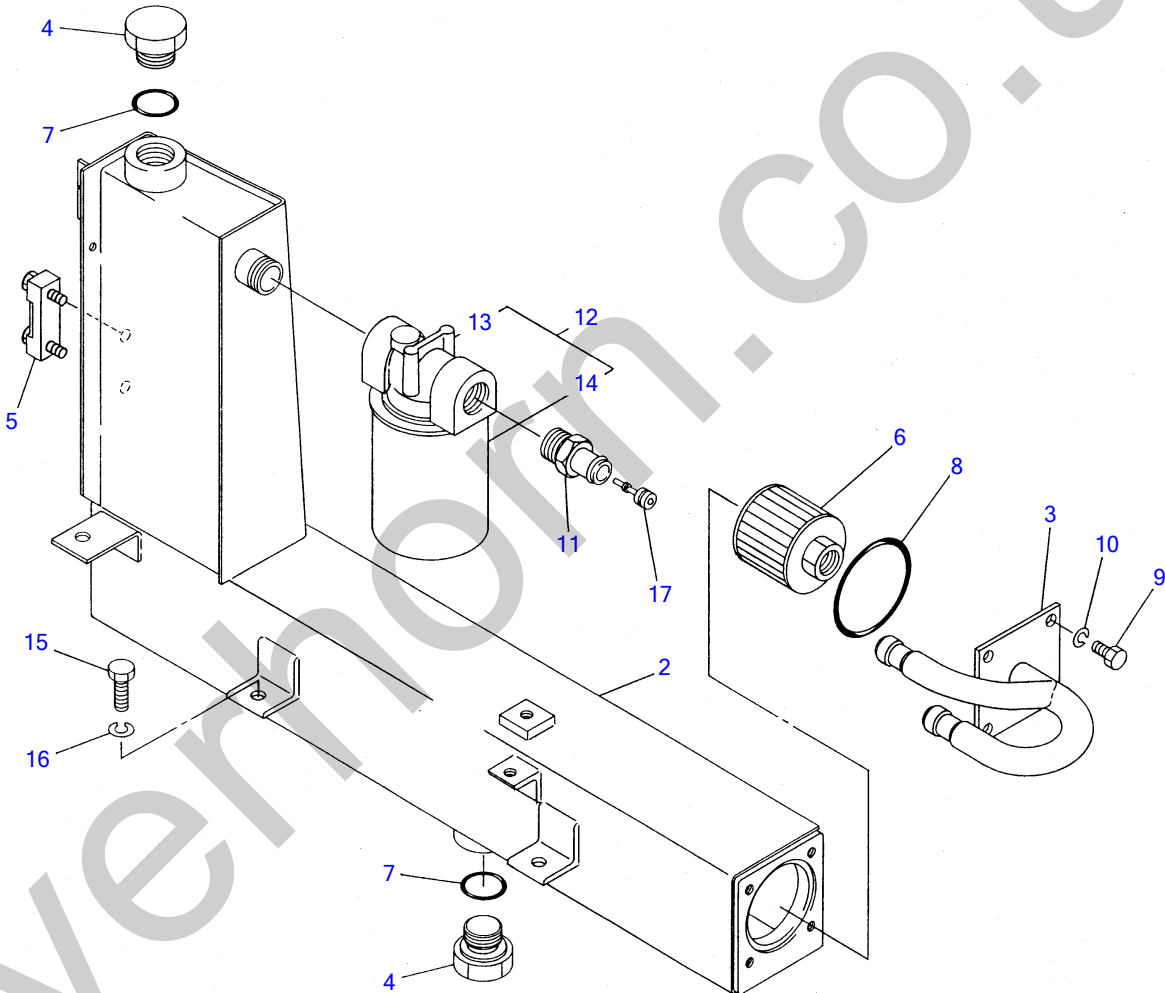


B4-28a-1-D

PUMP DRIVE

Item	Part number	Description	Q'ty	Chan.	Serial No.	Serv.	Remarks
1	0415202100	PLATE	1				
2	0415202200	COUPLING	1				
3	0415202300	FLANGE	1				
4	1110040820	SCREW, cap	2				
5	1100041025	BOLT	4				
6	1902012400	PUMP ASSY	1				
7	1602000020	COUPLING, flex	1				
8	1100040825	BOLT	2				
9	1140020008	WASHER, spring	2				
10	1141110008	WASHER	2				
11	1100041016	BOLT	4				
12	1140020010	WASHER, spring	8				
13	1110040825	SCREW, cap	2				
14	0007300001	CLAMP	1				
	B428a3L						

Silverhorn.CO.UK



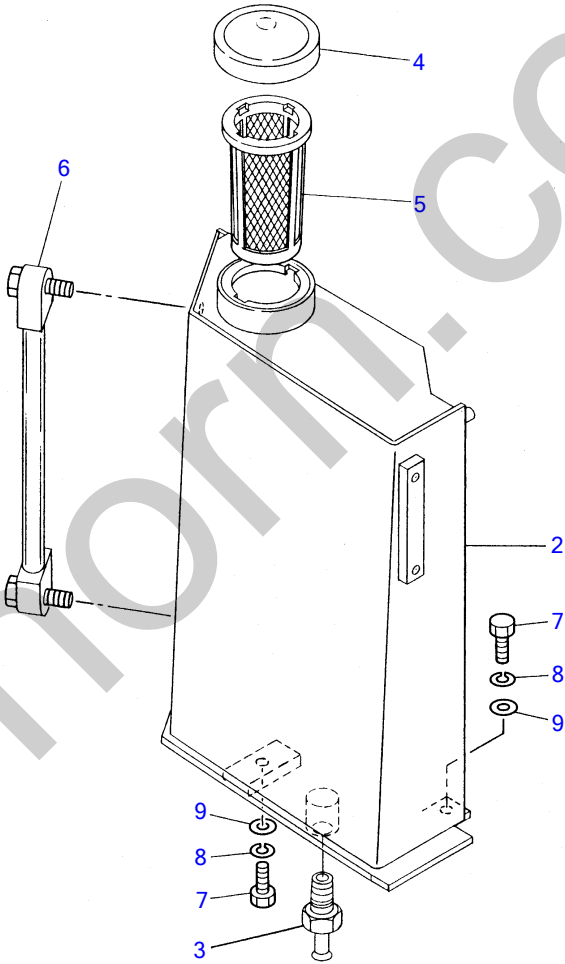
B4-30a-0-D

HYDRAULIC TANK

Item	Part number	Description	Q'ty	Chan.	Serial No.	Serv.	Remarks
1	0418090000	TANK ASSY	1				
2	0418002100	• TANK	1				
3	0418002200	• FLANGE	1				
4	1501750010	• PLUG	2				
5	1553020650	• GAUGE	1				
6	1550004150	• FILTER	1				
7	1420010290	• O-RING	2				
8	1420100750	• O-RING	1				
9	1100040814	• BOLT	4				
10	1140020008	• WASHER, spring	4				
11	0418002300	ADAPTOR	1				
12	1551020180	FILTER ASSY	1				
13	1551020190	• HEAD	1				
14	1551020200	• CARTRIDGE	1				
15	1100041016	BOLT	4				
16	1140020010	WASHER, spring	4				
17	1540142220	VALVE	1				

B430a0L

Silverhorn.CO.UK

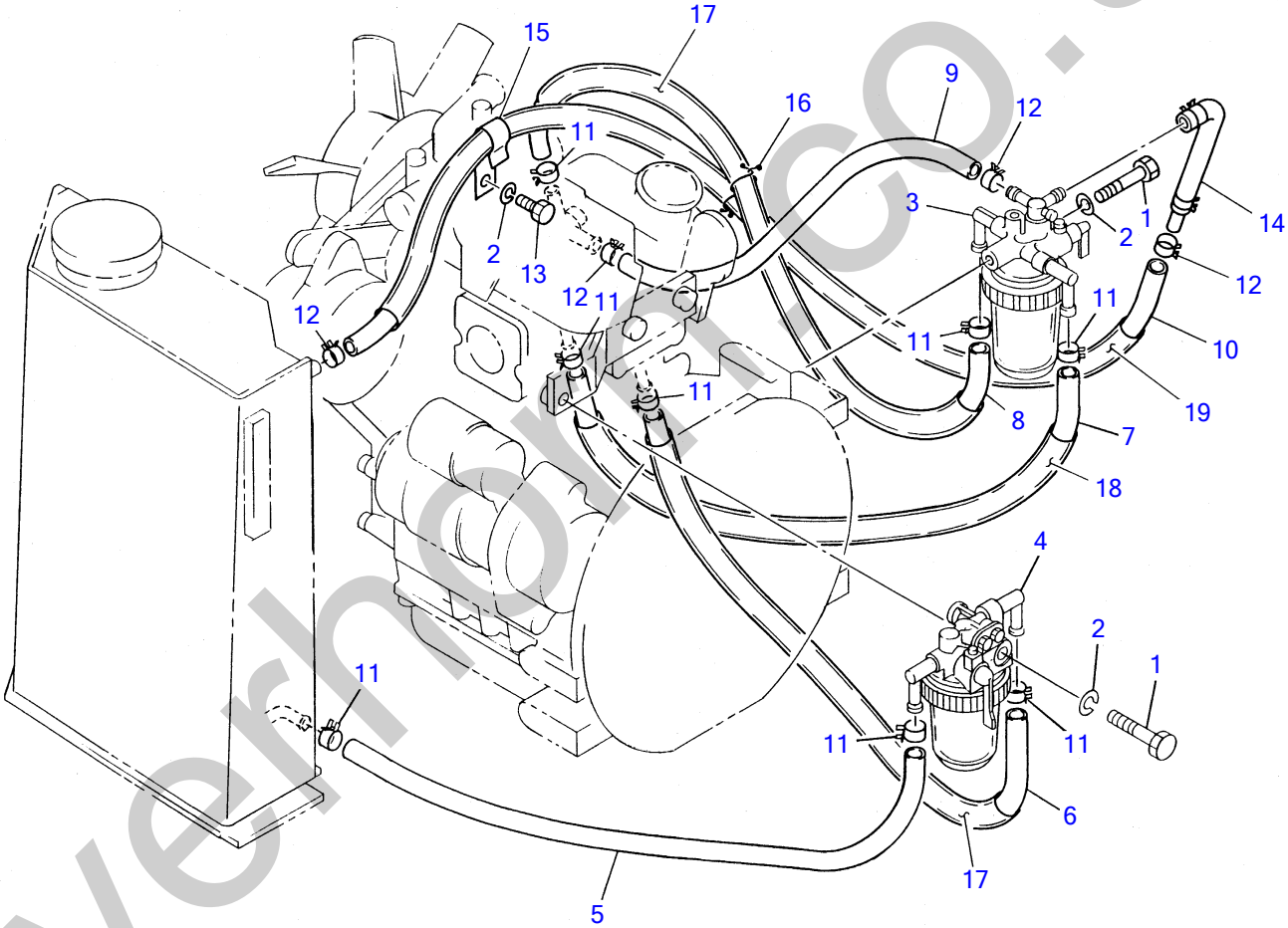


B4-31a-1-D

FUEL TANK

Item	Part number	Description	Q'ty	Chan.	Serial No.	Serv.	Remarks
1	0328190000	TANK ASSY	1				
2	0328151100	▪ TANK	1				
3	0007200090	▪ VALVE	1				
4	1552001022	▪ CAP	1				
5	1552002012	▪ STRAINER	1				
6	1553001300	▪ GAUGE	1				
7	1100040816	BOLT	2				
8	1140020008	WASHER, spring	2				
9	1141110008	WASHER	2				
	B431a1L						

Silverhorn.CO.UK

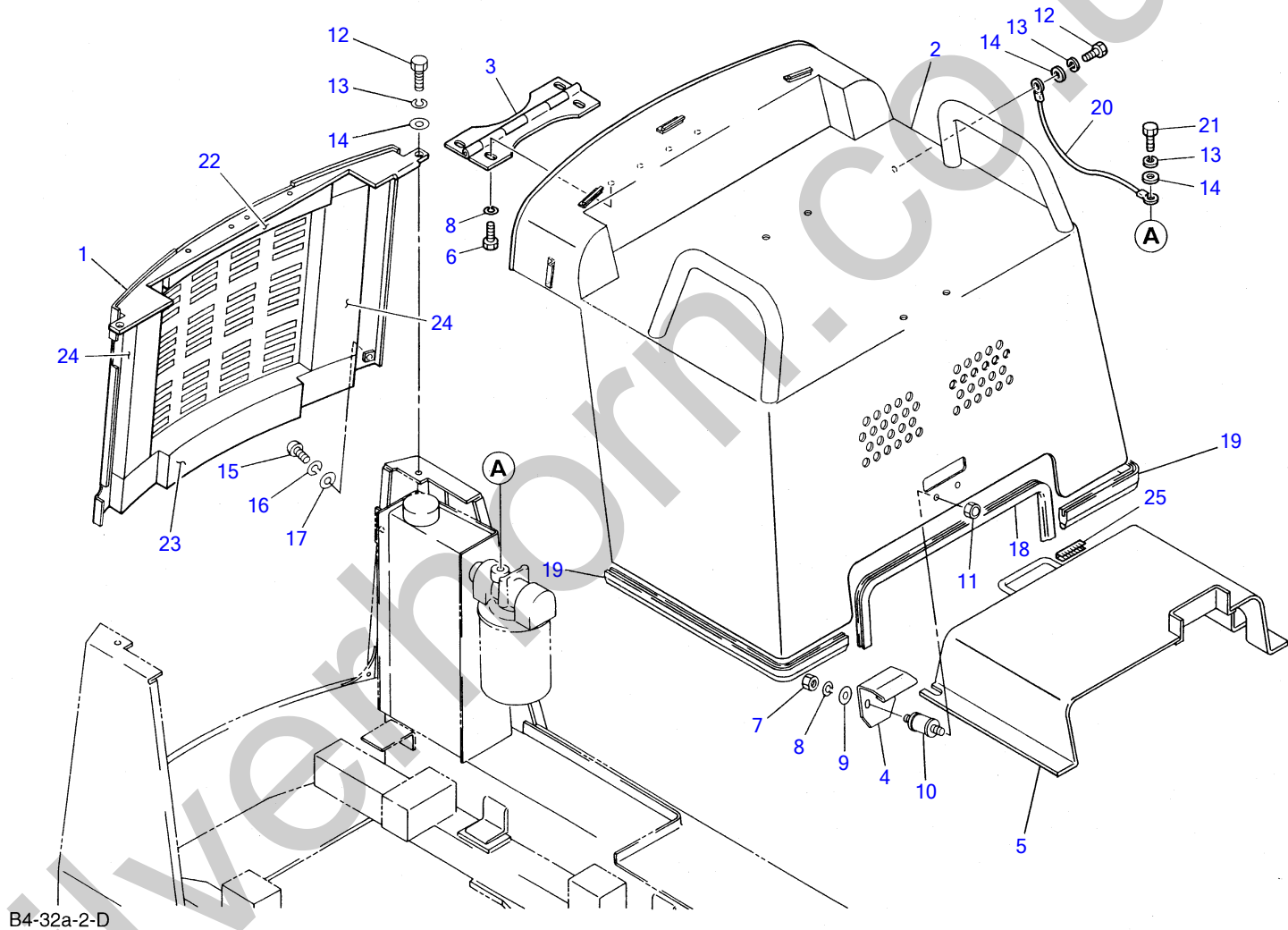


B4-31b-1-D

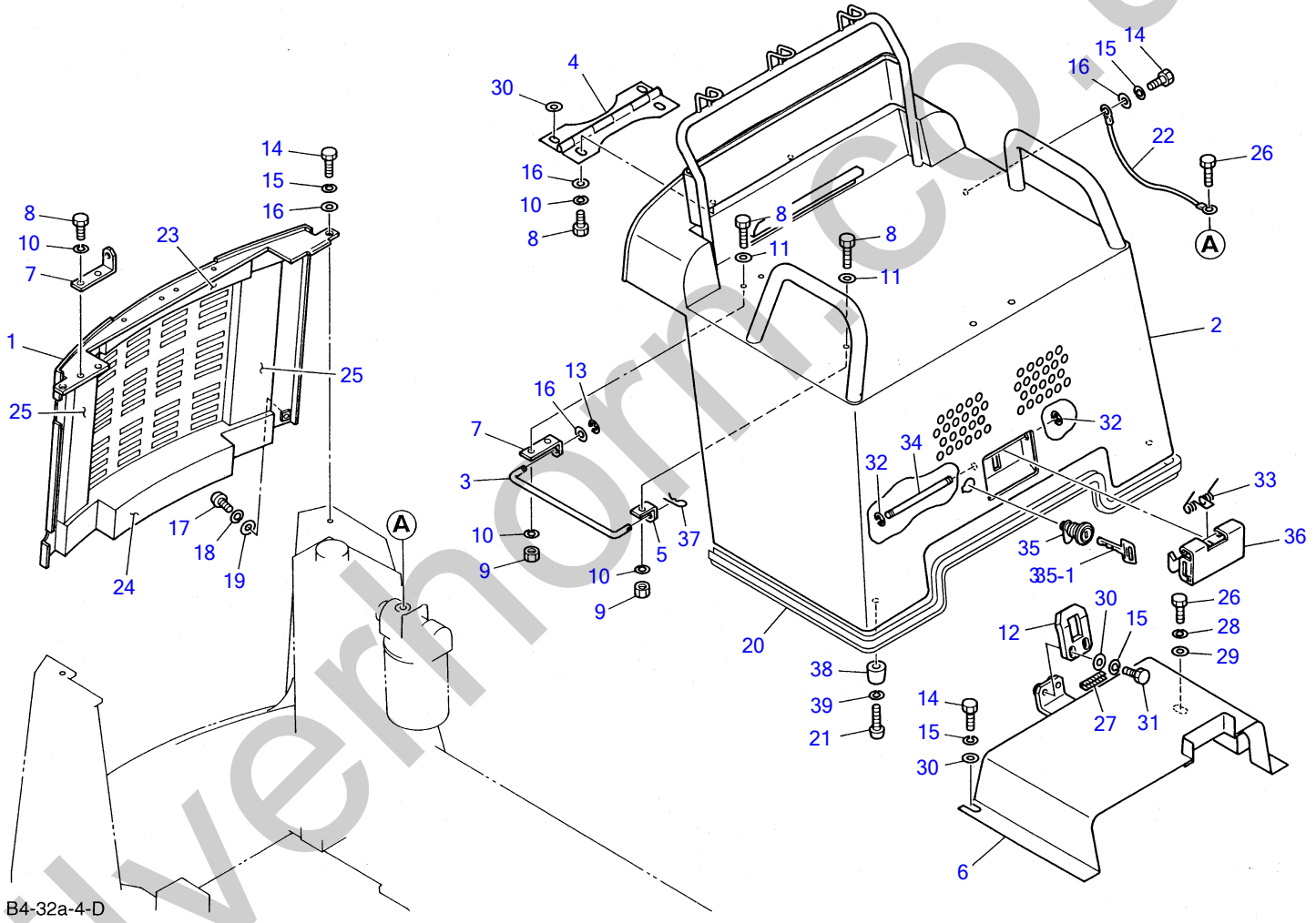
FUEL PIPING

Item	Part number	Description	Q'ty	Chan.	Serial No.	Serv.	Remarks
1	1100040865	BOLT	2				
2	1140020008	WASHER, spring	3				
3	1910066031	FILTER	1	Y119632-55620			Y119632-55620
4	1910030033	SEPARATOR, water	1	Y129335-55700			Y129335-55700
5	1531207036	HOSE	1	Ø°À",,è/sold by the meter			Ø°À",,è
6	1531207050	HOSE	1	Ø°À",,è/sold by the meter			Ø°À",,è
7	1531207045	HOSE	1	Ø°À",,è/sold by the meter			Ø°À",,è
8	1531207050	HOSE	1	Ø°À",,è/sold by the meter			Ø°À",,è
9	1531211040	HOSE	1	Ø°À",,è/sold by the meter	1072001~1074648		Ø°À",,è
	1531211035	HOSE	1	Ø°À",,è/sold by the meter	1074649~		Ø°À",,è
10	1531211080	HOSE	1	Ø°À",,è/sold by the meter			Ø°À",,è
11	1533120012	BAND	8				
12	1533120010	BAND	5				
13	1100040812	BOLT	1				
14	1910065047	BEND	1	Y119840-59601			Y119840-59601
15	0007300035	CLAMP	1				
16	1652360001	CLAMP	1				
17	1531115040	PROTECTOR	2	Ø°À",,è/sold by the meter			Ø°À",,è
18	1531115037	PROTECTOR	1	Ø°À",,è/sold by the meter			Ø°À",,è
19	1531112073	PROTECTOR	1	Ø°À",,è/sold by the meter			Ø°À",,è

B431b4L

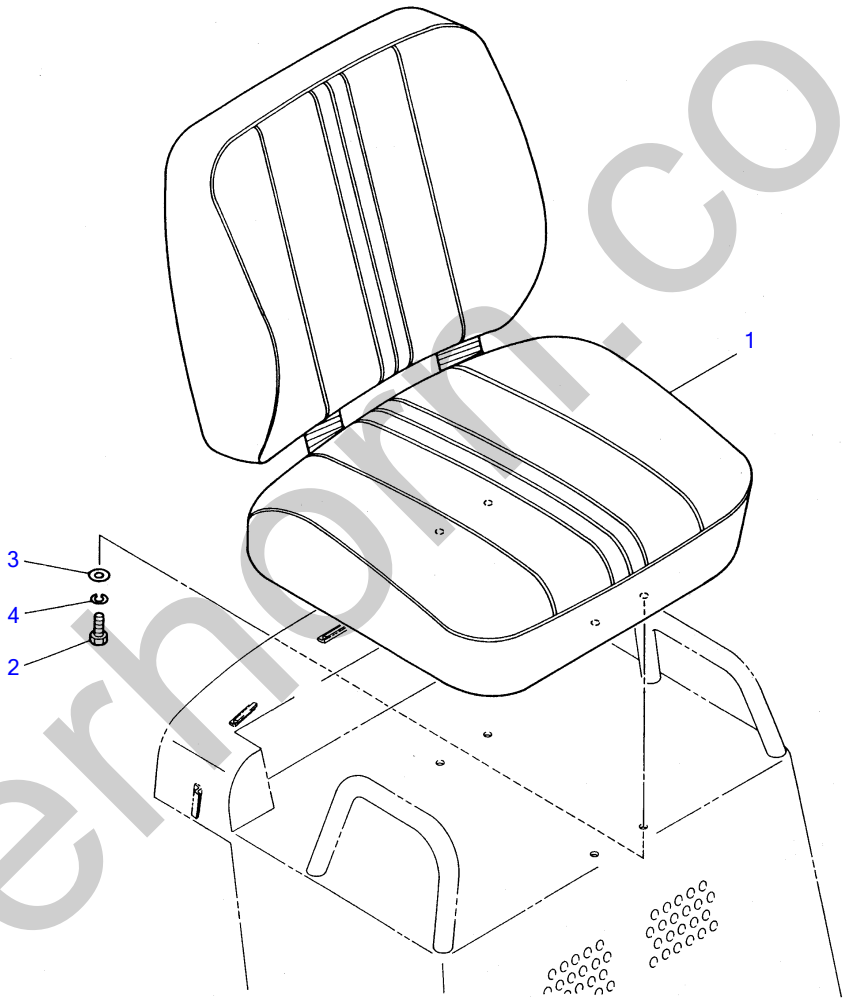


Item	Part number	Description	COVER		Serial No.	Serv.	Remarks
			Q'ty	Chan.			
1	0328251100	COVER	1				
2	0328251200	COVER	1				
3	0328251450	HINGE	1				
4	0418204400	CATCH	1				
5	0418204800	COVER, center	1				
6	1100040616	BOLT	4				
7	1130040006	NUT	2				
8	1140020006	WASHER, spring	6				
9	1141110006	WASHER	2				
10	1651014002	RUBBER, cushion	2				
11	1134030006	NUT	2				
12	1100040816	BOLT	3				
13	1140020008	WASHER, spring	4				
14	1141110008	WASHER	4				
15	1120530512	SCREW	2				
16	1140020005	WASHER, spring	2				
17	1141110005	WASHER	2				
18	1654607056	SEAL	1	0°À", è/sold by the meter			0°À", è
19	1654607045	SEAL	2	0°À", è/sold by the meter			0°À", è
20	1929900351	ROPE	1				
21	1100041016	BOLT	1				
22	0328251510	ABSORBENT	1	0°À", è/sold by the meter			0°À", è
23	0328251520	ABSORBENT	1	0°À", è/sold by the meter			0°À", è
24	0328251530	ABSORBENT	2	0°À", è/sold by the meter			0°À", è
25	1653916007	TRIM	1	0°À", è/sold by the meter			0°À", è
	B432a2L						



B4-32a-4-D

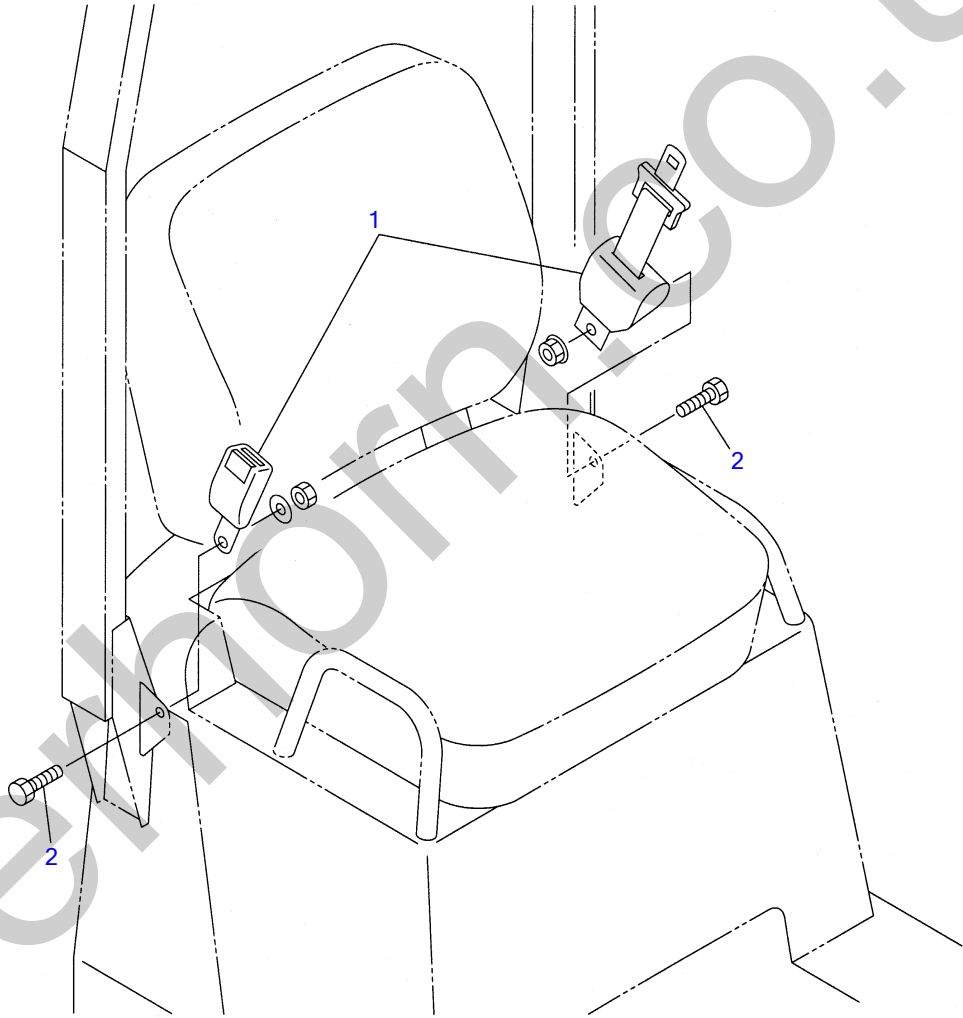
COVER						
Item	Part number	Description	Q'ty	Chan.	Serial No.	Serv. Remarks
1	0328251100	BONNET	1		1073001~1074339	
	0328253100	BONNET	1		1074340~	
2	0328252100	COVER	1		1073001~1074339	
	0328253200	COVER	1		1074340~	
3	0328252300	ROD	1			
4	0328251450	HINGE	1			
5	0328252400	PLATE	1			
6	0328252200	COVER, center	1			
7	0328252500	PLATE	2			
8	1100040616	BOLT	9			
9	1130040006	NUT	3			
10	1140020006	WASHER, spring	9			
11	1141110006	WASHER	3			
12	0328252600	HOOK	1		1073530~1074570	
	0328253300	HOOK	1		1074571~	
13	1224010008	E-RING	1			
14	1100040816	BOLT	4			
15	1140020008	WASHER, spring	6			
16	1141110008	WASHER	8			
17	1120530512	SCREW	2			
18	1140020005	WASHER, spring	2			
19	1141110005	WASHER	2			
20	1654607220	SEAL	1	Ò°À" „,è/sold by the meter		Ò°À" „,è
21	1120530416	SCREW	2		1073719~	
22	1929900351	ROPE	1			
23	0328251510	ABSORBENT	1			
24	0328251520	ABSORBENT	1			
25	0328251530	ABSORBENT	2			
26	1100041016	BOLT	2			
27	1653916007	TRIM	1	Ò°À" „,è/sold by the meter		Ò°À" „,è
28	1140020010	WASHER, spring	1			
29	1141110010	WASHER	1			
30	0003608252	WASHER	5			
31	1100040825	BOLT	2			
32	1224010004	E-RING	2			
33	0007000060	SPRING	1			
34	0004206111	SHAFT	1			
35	1653601395	LOCK ASSY	1			
35-1	1700100019	KEY	1			
36	0068232600	LOCK ASSY	1		1073530~1073556	
	(H) 0358201750	LOCK ASSY	1		1073557~1074570	
	0358253350	LOCK ASSY	1		1074571~	
37	1214000016	PIN, snap	1			
38	1652112320	STOPPER	2		1073719~	
39	1140020004	WASHER, spring	2		1073719~	
	B432a5L					



B4-34a-0-D

Item	Part number	Description	Q'ty	SEAT		
				Chan.	Serial No.	Serv. Remarks
1	1914100033	SEAT ASSY	1			
2	1100040620	BOLT	4			
3	1141110006	WASHER	4			
4	1140020006	WASHER, spring	4			
	B434a0L					

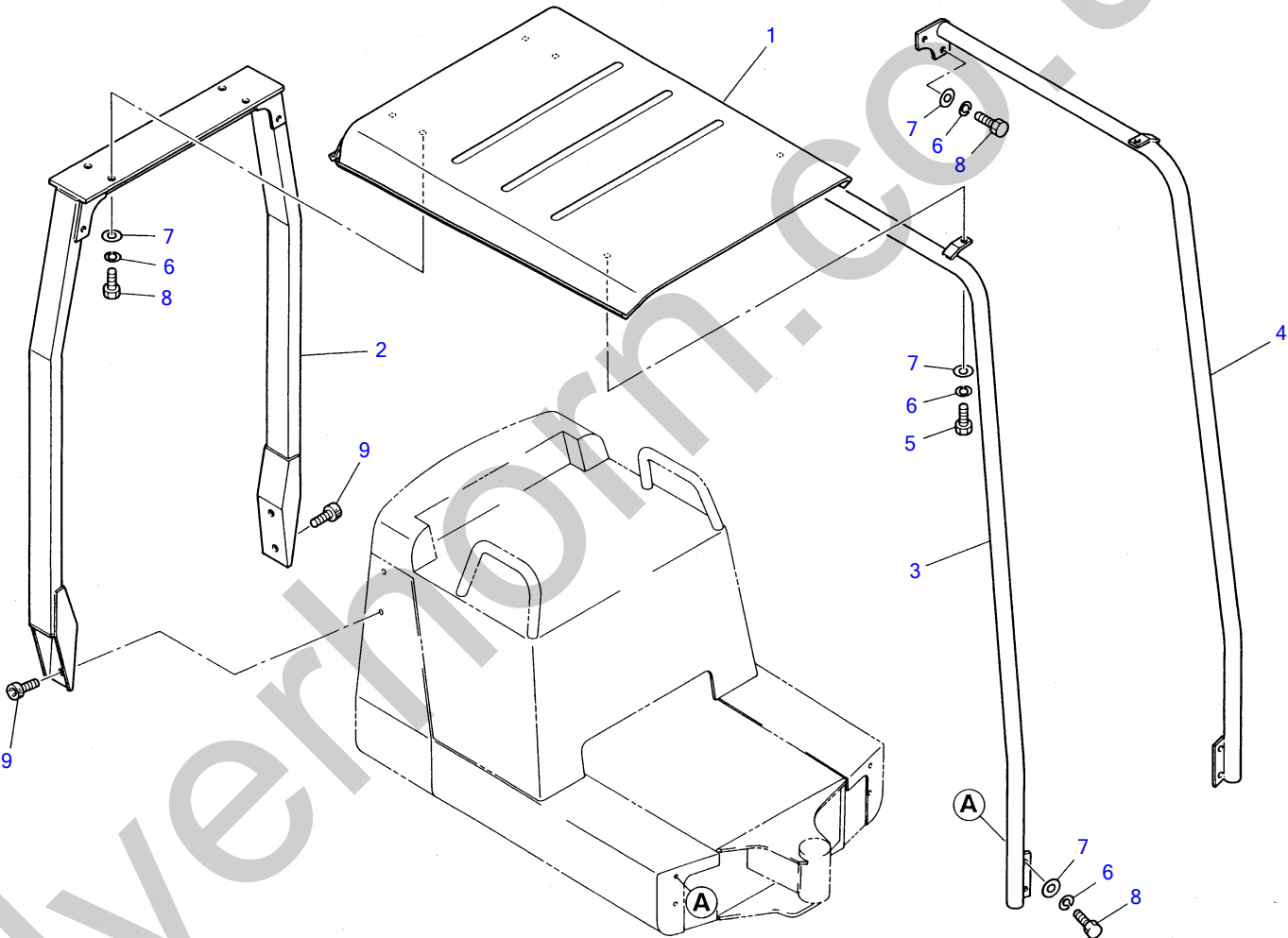
Silverhorn.CO.UK



B4-34b-0-D

Item	Part number	Description	SEAT BELT		Serial No.	Serv.	Remarks
			Q'ty	Chan.			
1	1914100068	BELT ASSY, seat		03234-21000/			03234-21000
2	1111940725 B434b0L	BELT, seat BOLT	1 2				

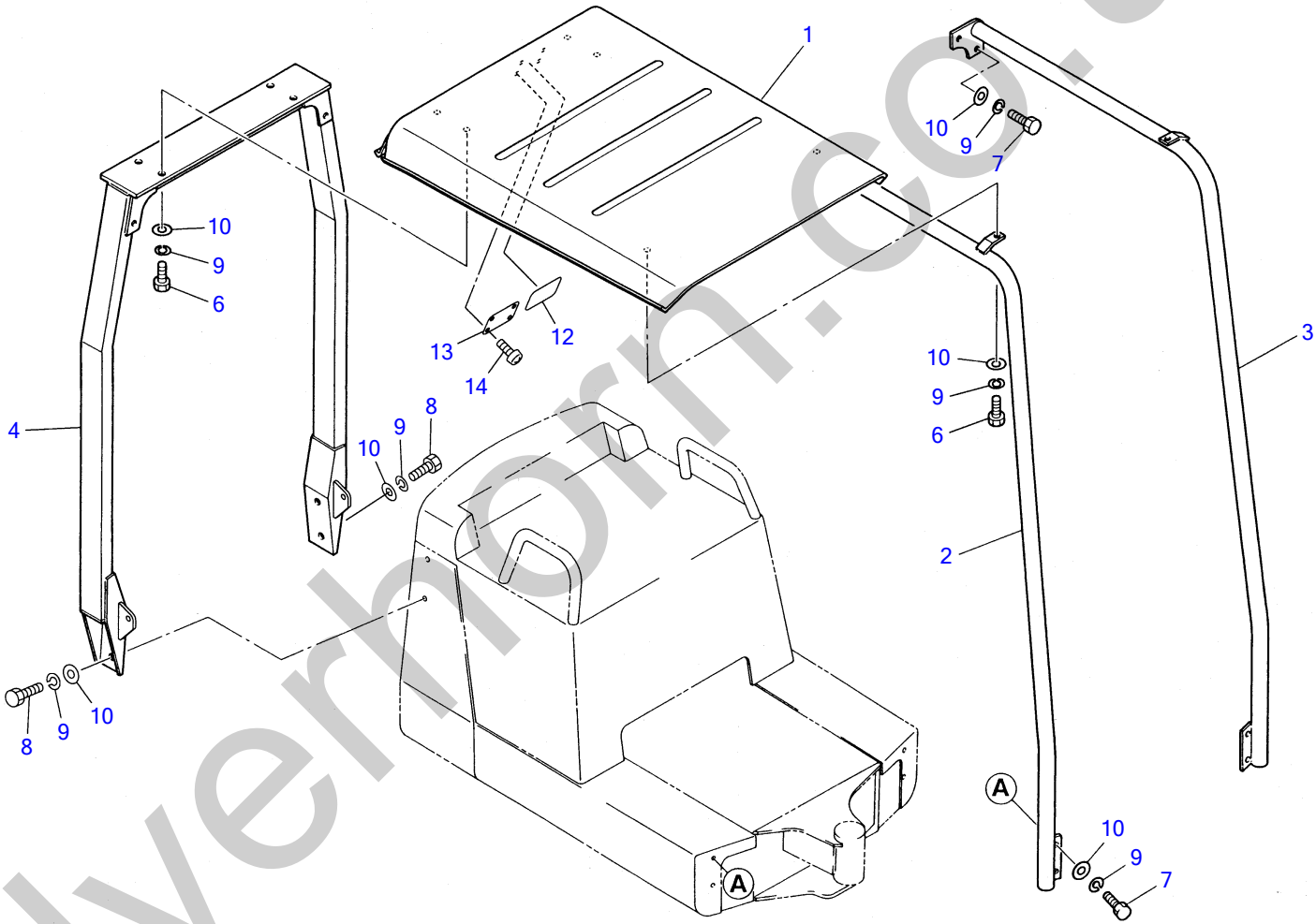
Silverhorn.CO.UK



B4-37a-1-D

CANOPY						
Item	Part number	Description	Q'ty	Chan.	Serial No.	Serv. Remarks
1	0328450100	CANOPY	1			
2	0328451500	POLE, rear	1			
3	0328450300	POLE (R.H.)	1			
4	0328450400	POLE (L.H.)	1			
5	1100041016	BOLT	2			
6	1140020010	WASHER, spring	14			
7	1141110010	WASHER	14			
8	1100041020	BOLT	12			
9	1110041025	SCREW, cap	4			
	B437a2L					

Silverhorn.CO.UK

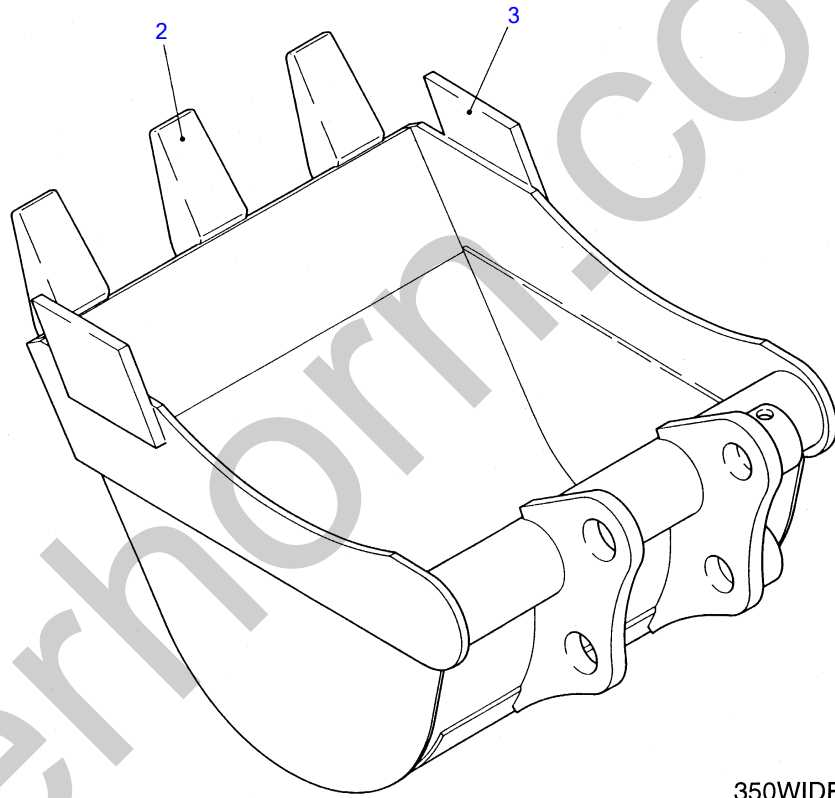


B4-37b-0-D

Item	Part number	Description	CANOPY			Remarks
			Q'ty	Chan.	Serial No. Serv.	
		CANOPY ASSY		03284-52000/		03284-52000
1	0328452100	ROOF	1			
2	0328452300	POLE (R.H.)	1			
3	0328452400	POLE (L.H.)	1			
4	0328452500	POLE	1			
6	1100041016	BOLT	6			
7	1100041020	BOLT	8			
8	1100041025	BOLT	4			
9	1140020010	WASHER, spring	18			
10	1141110010	WASHER	18			
12	0329360600	DECAL	1			
13	0329362100	DECAL	1			
14	1122800006	SCREW	4			
	B437b0L					

Silverhorn.CO.UK

Item	Part number	Description	Q'ty	HOE	Chan.	Serial No.	Serv.	Remarks
1	0416003100	BOOM ASSY	1					
2	*****	• BOOM	1					
3	0002400024	• BUSHING	2					
4	0416003200	COVER	1					
5	0011900002	PIN	1					
6	0011900003	PIN	1					
7	0011500115	PIN	1					
8	0001600125	PIN	2					
9	0003608003	WASHER	1					
10	1225121016	SPRING, conical	1					
11	1140020008	WASHER, spring	1					
12	1100040816	BOLT	1					
13	1103040855	BOLT	8					
14	1103040865	BOLT	1					
15	1130240008	NUT	18					
16	1560001675	FITTING, grease	2					
17	1900056900	CYLINDER, boom	1			1073001~1074339		
	(H) 1900082100	CYLINDER, boom	1			1074340~		
18	1900057000	CYLINDER, arm	1					
19	0003620384	WASHER	2					
20	1132030018	NUT	2					
21	1210010435	PIN, split	2					
22	0416102100	ARM ASSY	1		660mm ¹ , ³ /660mm long			660mm ¹ , ³
	0326152200	ARM ASSY, long	1		860mm ¹ , ³ /860mm long			860mm ¹ , ³
	*****	• ARM	1					
24	0002400024	• BUSHING	6					
25	0416101300	ARM ASSY, link	1					
26	*****	• ARM, link	1					
27	0002100026	• BUSHING	2					
28	0002400024	• BUSHING	2					
29	0416100300	PLATE (R.H.)	1					
30	0416100400	PLATE (L.H.)	1					
31	0001670001	PIN	2					
32	0001720001	PIN	1					
33	0001720002	PIN	1					
34	0001600090	PIN	2					
35	1560001000	FITTING, grease	4					
36	1900057100	CYLINDER, bucket	1					
37	0416100800	PIN	2					
38	0416100900	RING	2					
39	0003600049	WASHER	AR		t=0.2mm			t=0.2mm
40	0003102605	WASHER	AR		t=0.5mm			t=0.5mm
41	0003600050	WASHER	AR		t=0.5mm			t=0.5mm
42	0003102610	WASHER	AR		t=1.0mm			t=1.0mm
43	0003102616	WASHER	AR		t=1.6mm			t=1.6mm
44	0003102623	WASHER	AR		t=2.3mm			t=2.3mm
	B439a4L							

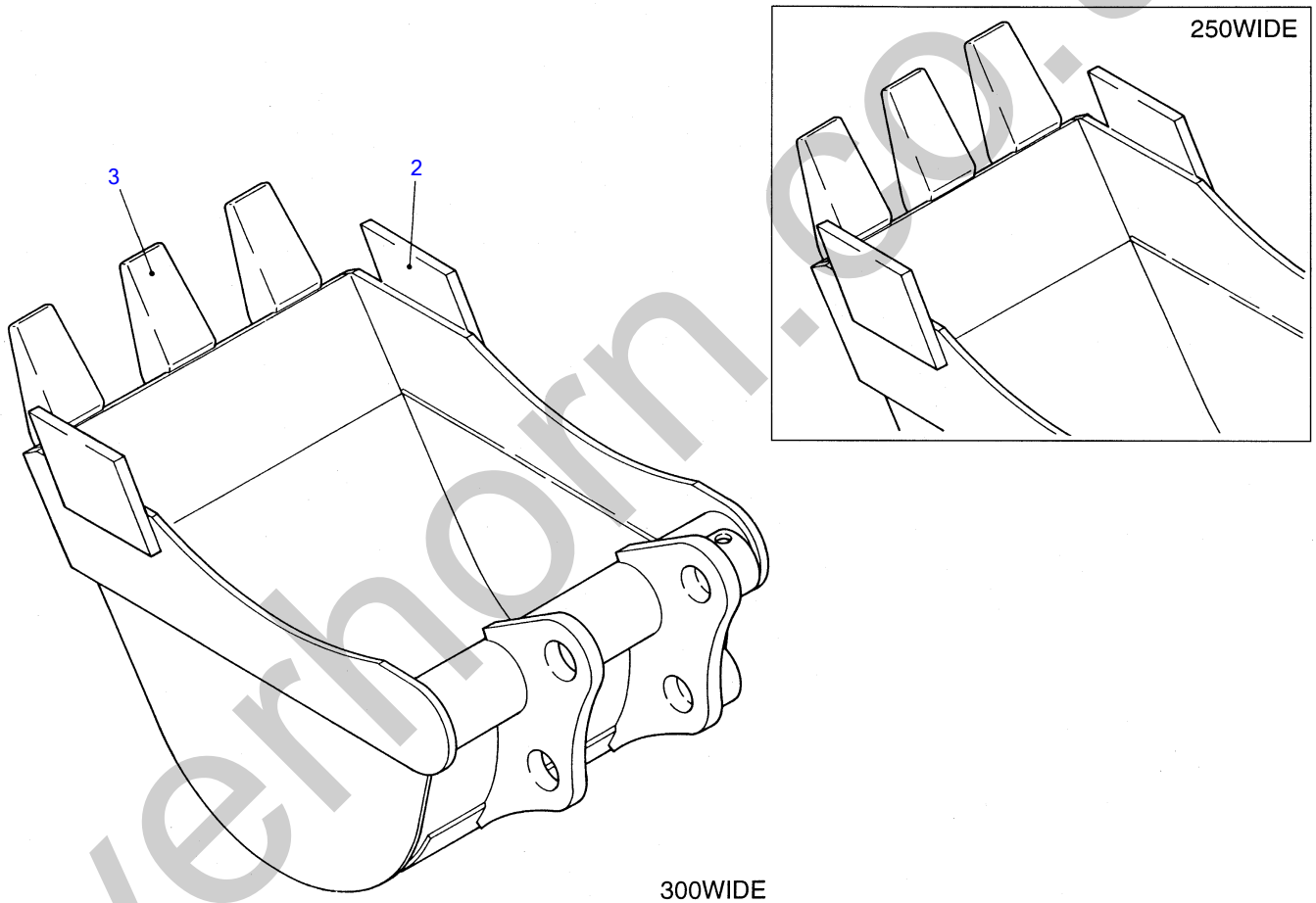


350WIDE

B4-40a-0-D

BUCKET 1							
Item	Part number	Description	Q'ty	Chan.	Serial No.	Serv.	Remarks
1	0416200500	BUCKET ASSY	1	350mm•l/350wide			350mm•l
2	0416200505	• TOOTH	3				
3	0416200104 B440a0L	• CUTTER, side	2				

Silverhorn.CO.UK

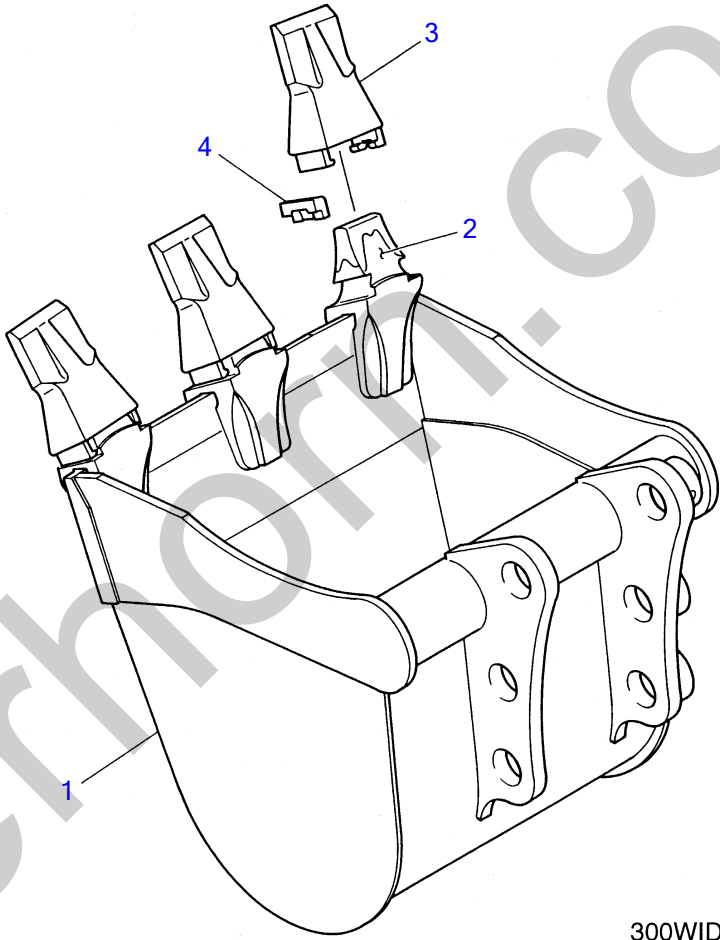


B4-62a-0-D

BUCKET 2

Item	Part number	Description	Q'ty	Chan.	Serial No.	Serv.	Remarks
1	0416200700	BUCKET ASSY	1	300mm•/300wide			300mm•
	0416200600	BUCKET ASSY	1	250mm•/250wide			250mm•
2	0416200104	• CUTTER, side	2				
3	0416200505	• TOOTH	3				
	B462a0L						

Silverhorn.CO.UK

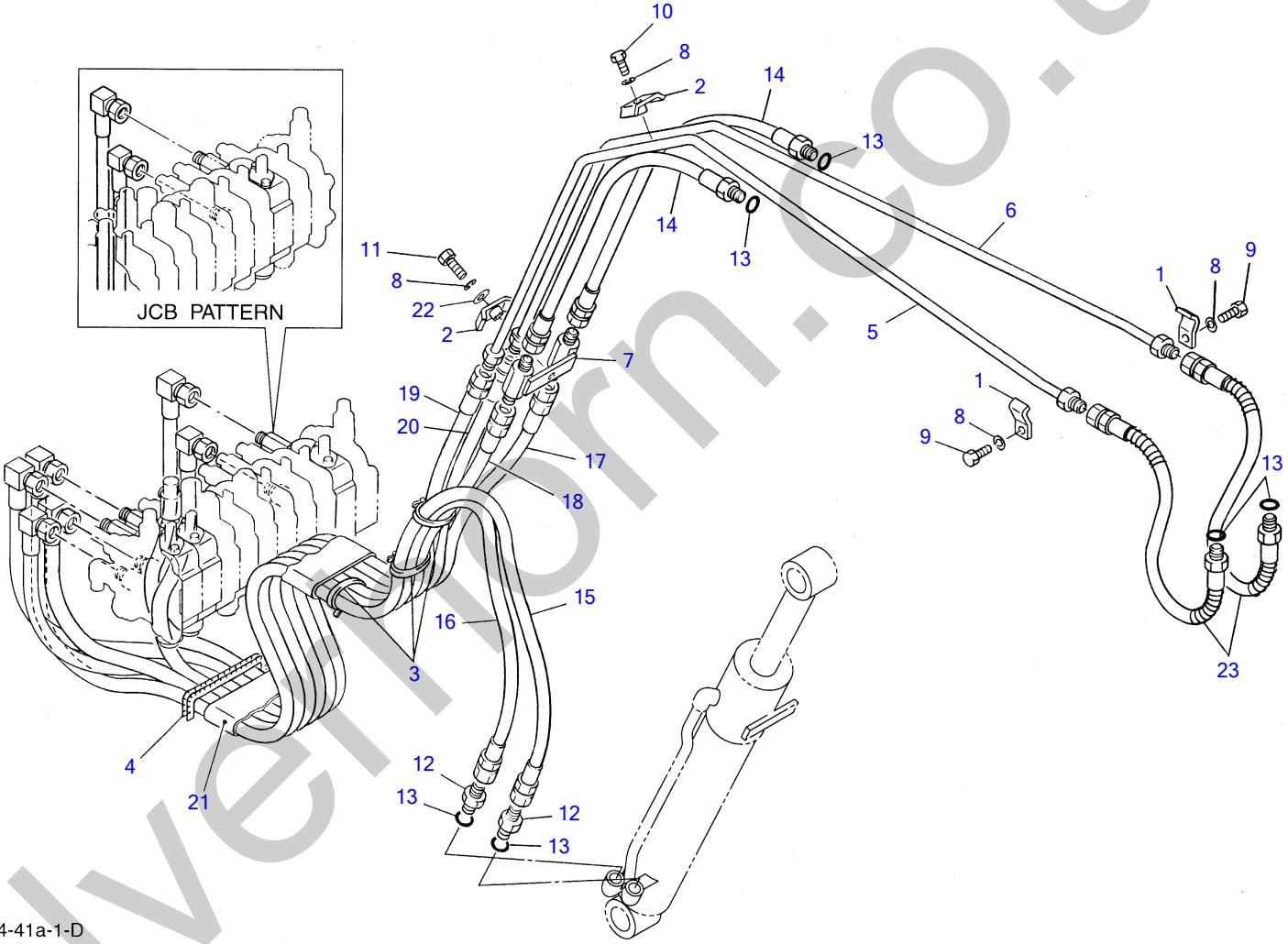


300WIDE

B4-40b-0-D

Item	Part number	Description	Q'ty	Chan.	Serial No.	Serv.	Remarks
0	0326215000	BUCKET ASSY	1	300mm•□/300wide			300mm•□
1	*****	• BUCKET	1	300W			300W
2	1914201201	• • ADAPTOR, tooth	3				
3	1914201202	• POINT, tooth	3				
4	1914201203	• PIN, lock	3				
	B440b0L						

Silverhorn.CO.UK



B4-41a-1-D

Item	Part number	Description	PIPING; HOE 1		Serial No.	Serv.	Remarks
			Q'ty	Chan.			
1	0416003300	CLAMP	2				
2	0416003400	CLAMP	2				
3	1652201005	BAND	3				
4	1653916020	TRIM	1				
5	0416003700	PIPE (R.H.)	1				
6	0416003800	PIPE (L.H.)	1				
7	0416003900	JOINT	1				
8	1140020008	WASHER, spring	4				
9	1100040812	BOLT	2				
10	1100040825	BOLT	1				
11	1100040830	BOLT	1				
12	1515600200	ADAPTOR	2				
13	1420010110	O-RING	6				
14	1939026062	HOSE ASSY	2				
15	1939306145	HOSE ASSY	1				
16	1939306135	HOSE ASSY	1				
17	1939306110	HOSE ASSY	1				
18	1939306102	HOSE ASSY	1				
19	1939306095	HOSE ASSY	1				
20	1939306087	HOSE ASSY	1				
21	1531645020	PROTECTOR	1				
22	1141110008	WASHER	1				
23	1939226048	HOSE ASSY	2				
	B441a4L						

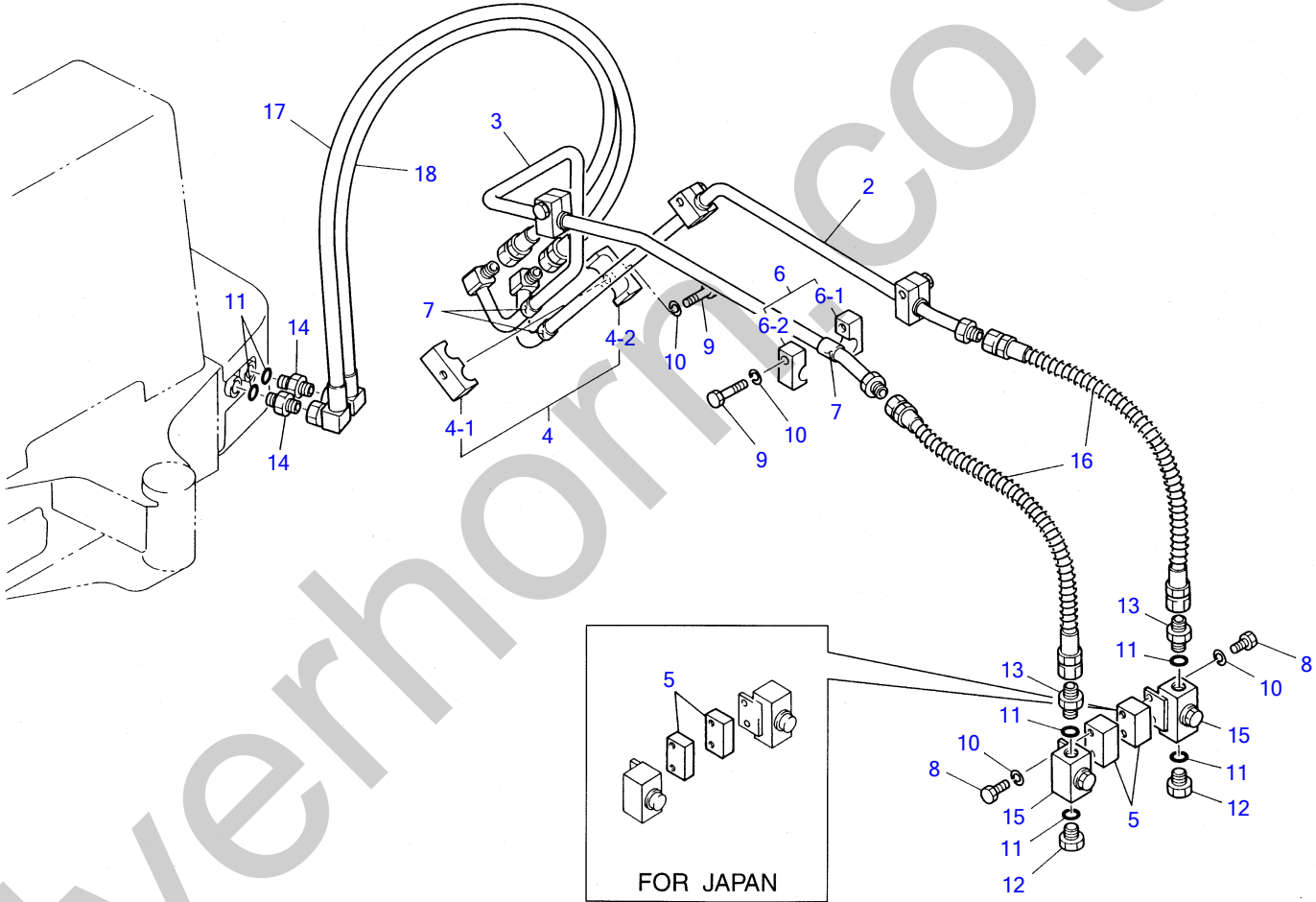
0°Å",,è/sold by the meter

0°Å",,è

0°Å",,è/sold by the meter

0°Å",,è

Silverhorn.CO.UK

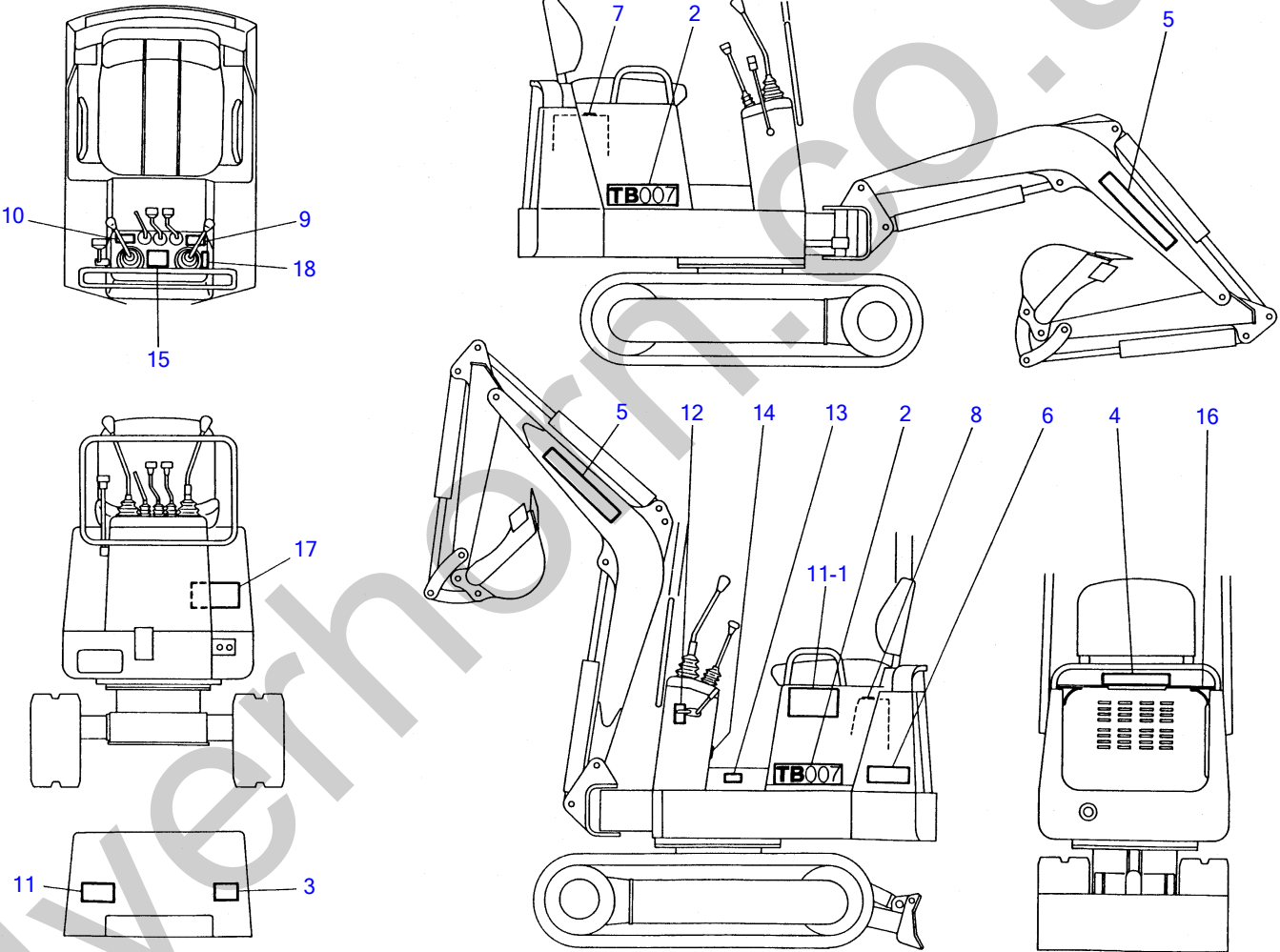


B4-42a-2-D

PIPING; HOE 2

Item	Part number	Description	Q'ty	Chan.	Serial No.	Serv.	Remarks
1	0417390000	PIPING ASSY, aux. line	1	"ú{CEü/for Japan			"ú{CEü
	0327390000	PIPING ASSY, aux. line	1				
2	0417311100	· PIPE	1				
3	0417311200	· PIPE	1				
4	0417390029	· CLAMP ASSY	1				
4-1	*****	· · CLAMP	1	~04173-11301			~04173-11301
4-2	*****	· · CLAMP	1	~04173-11302			~04173-11302
5	0417311400	· PLATE	2	"ú{CEü/for Japan			"ú{CEü
	0347302100	· PLATE	2				
6	0427390039	· CLAMP ASSY	4				
6-1	*****	· · CLAMP	1	~04273-21201			~04273-21201
6-2	*****	· · CLAMP	1	~04273-21202			~04273-21202
7	0147351300	· PROTECTOR	6				
8	1100040816	· BOLT	4				
9	1100040835	· BOLT	5				
10	1140020008	· WASHER, spring	9				
11	1420010180	· O-RING	6				
12	1501750004	· PLUG	2				
13	1515600561	· ADAPTOR	2				
14	1515600577	· ADAPTOR	2				
15	1901719800	· VALVE, stop	2				
16	1905309065	· HOSE ASSY	2	"ú{CEü/for Japan			"ú{CEü
	1905309062	· HOSE ASSY	2				
17	1905809140	· HOSE ASSY	1				
18	1905809145	· HOSE ASSY	1				
	B442a4L						

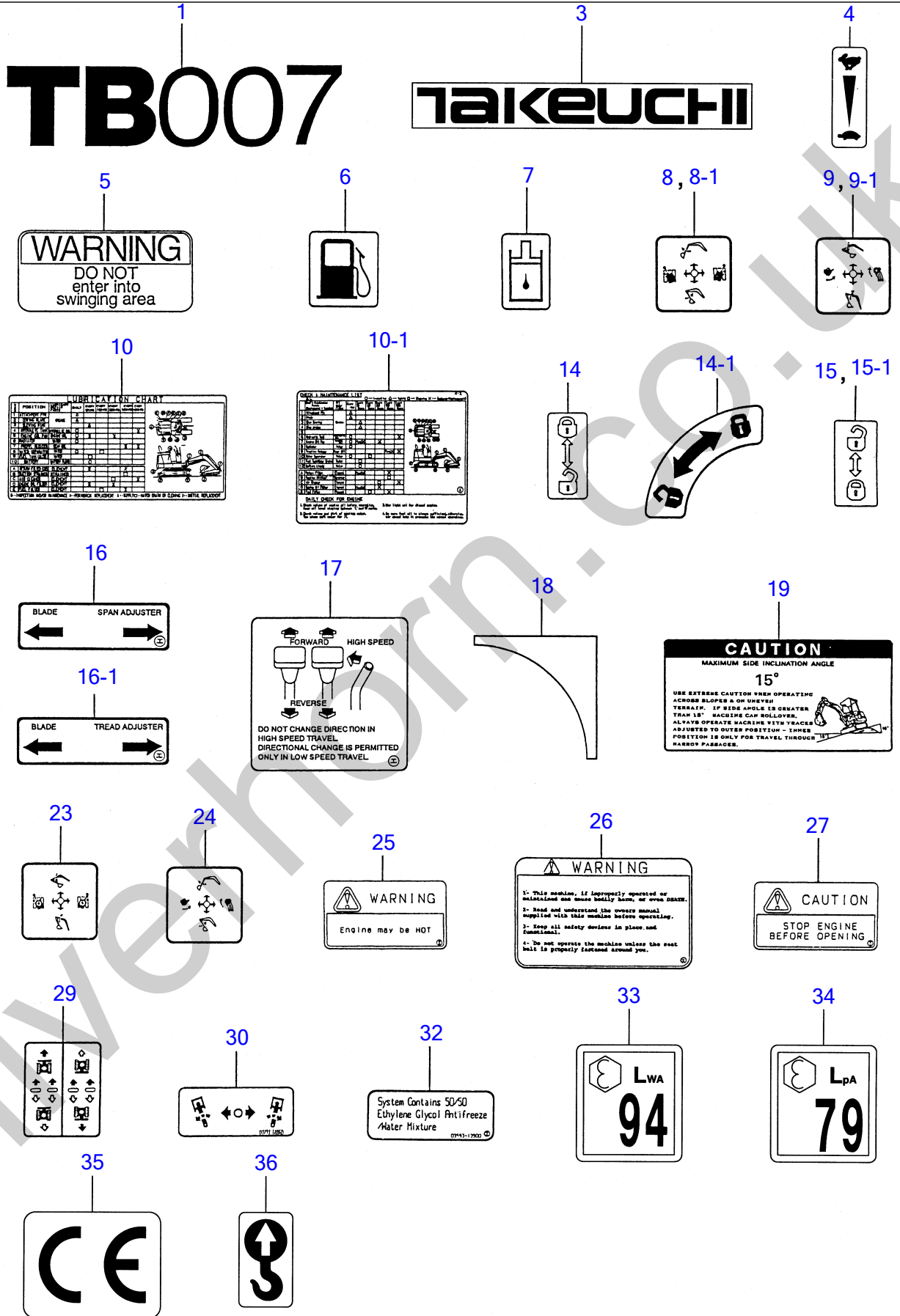
Silverhorn.CO.UK



B4-43a-0-D

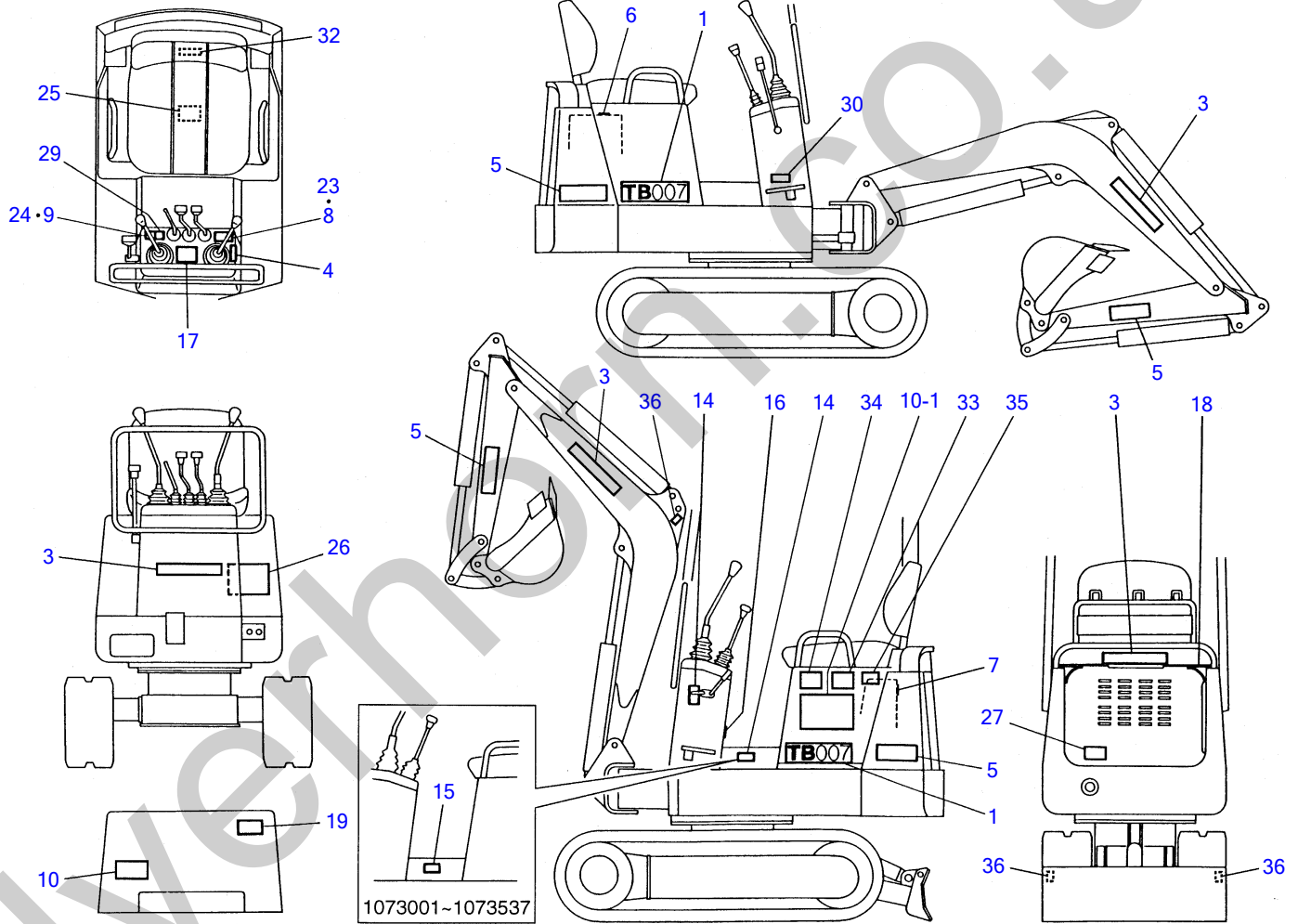
Item	Part number	Description	Q'ty	DECAL	Chan.	Serial No.	Serv.
1	0329390040	DECAL SET	1	JOB-ACE		1073001~1073474	
	0329390090	DECAL SET	1	JOB-ACE		1073475~1073537	
	0329390050	DECAL SET	1	TAKEUCHI		1073001~1073474	
	0329390100	DECAL SET	1	TAKEUCHI		1073475~1073537	
	0329390080	DECAL SET	1	•Włł'łłł•ůž@/standard		1073001~1073474	
	0329390110	DECAL SET	1	•Włł'łłł•ůž@/standard		1073475~1073537	
2	0329350100	• DECAL	2				
3	0329351100	• DECAL	1				
4	0359300600	• DECAL	1	JOB-ACE			
	0359306200	• DECAL	1	TAKEUCHI, •Włł'łłł•ůž@/TAKEUCHI, standard			
5	0329351200	• DECAL	2	JOB-ACE			
	0329350200	• DECAL	2	TAKEUCHI, •Włł'łłł•ůž@/TAKEUCHI, standard			
6	0359300900	• DECAL	1				
7	0359306600	• SYMBOL MARK	1				
8	0359306700	• SYMBOL MARK	1				
9	0419302500	• DECAL	1			1073001~1073474	
	(H) 0329352100	• DECAL	1			1073475~1073537	
	0429311200	• DECAL	1	•Włł'łłł•ůž@/standard			
10	0419302600	• DECAL	1			1073001~1073474	
	(H) 0329352200	• DECAL	1			1073475~1073537	
	0429311100	• DECAL	1	•Włł'łłł•ůž@/standard			
11	0329351300	• DECAL	1			1073001~1073474	
11-1	(H) 0329351310	• DECAL	1			1073475~1073537	
12	0439301000	• SYMBOL MARK	1			1073001~1073474	
	(H) 0329352300	• SYMBOL MARK	1			1073475~1073537	
13	0439302500	• SYMBOL MARK	1			1073001~1073474	
	(H) 0329352400	• SYMBOL MARK	1			1073475~1073537	
14	0419302900	• DECAL	1			1073001~1073474	
	(H) 0329352250	• DECAL	1			1073475~1073537	
15	0329351400	• DECAL	1				
16	0329350500	• DECAL	2				
17	0499300600	• DECAL	1				
18	0359317200	• DECAL	1			#~1073537	
	B443a0L						

DECAL



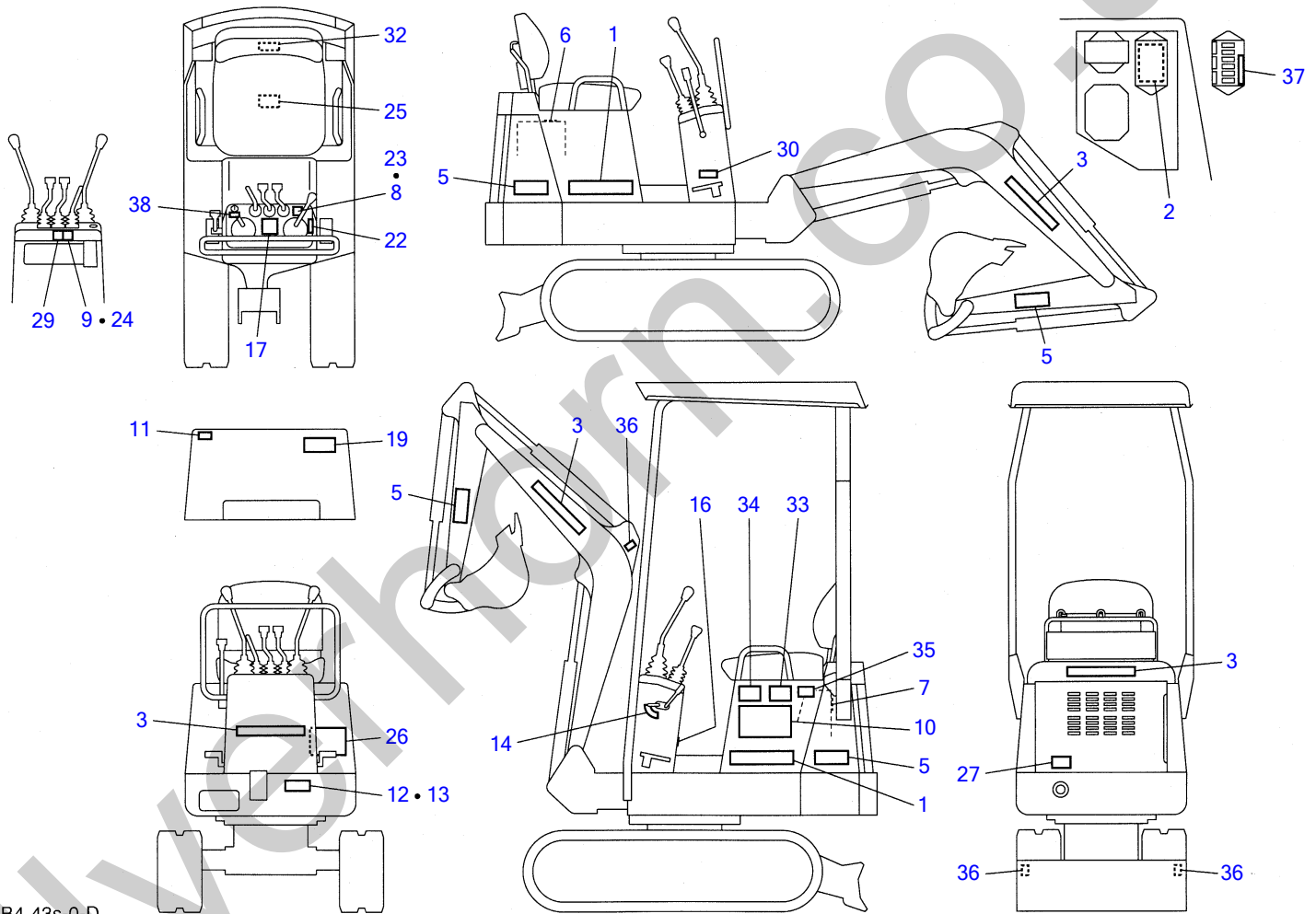
B4-43f-1-D

Item	Part number	Description	Q'ty	DECAL	Chan.	Serial No.	Serv.	Remarks
0	0329390000	DECAL SET	1			1073001~1073474		
	0329350000	DECAL SET	1			1073475~1074339		
	0329358000	DECAL SET	1		U.S. TAKEUCHI	1073001~1074339		U.S. TAKEUCHI
1	0329350100	• DECAL	2					
3	0359306200	• DECAL	4					
4	0329360040	• DECAL	1					
5	0359306500	• DECAL	4					
6	0359306600	• SYMBOL MARK	1					
7	0359306700	• SYMBOL MARK	1					
8	0429311200	• DECAL	1			1073001~1073474		
8-1	(H) 0329350950	• DECAL	1			1073475~1074339		
9	0429311100	• DECAL	1			1073001~1073474		
9-1	(H) 0329350900	• DECAL	1			1073475~1074339		
10	0329350300	• DECAL	1			1073001~1073474		
10-1	(H) 0329350310	• DECAL	1			1073475~1074339		
14	0329352300	• SYMBOL MARK	1			1073001~1073537		
14-1	(H) 0329360100	• SYMBOL MARK	2			1073538~1074339		
15	0439302500	• SYMBOL MARK	1			1073001~1073474		
15-1	(H) 0329352400	• SYMBOL MARK	1			1073475~1073537		
16	0419304500	• DECAL	1			1073001~1073474		
16-1	(H) 0329350250	• DECAL	1			1073475~1074339		
17	0329350400	• DECAL	1					
18	0329350500	• DECAL	2			1073001~1074114		
19	0339310400	• DECAL	1					
23	0329350700	• DECAL	1	JCBÊÛÀ°Ý/JCB pattern				JCBÊÛÀ°Ý
24	0329350800	• DECAL	1	JCBÊÛÀ°Ý/JCB pattern				JCBÊÛÀ°Ý
25	0569321980	• DECAL	1					
26	0359313700	• DECAL	1					
27	0359307400	• DECAL	1					
29	0329360120	• DECAL	1			1073538~1074339		
30	0329360060	• DECAL	1			1073538~1074339		
32	0359313900	• DECAL	1	U.S. TAKEUCHI				U.S. TAKEUCHI
33	0399300600	• DECAL	1	LWA 94				LWA 94
34	0339320100	• DECAL	1	LPA 79				LPA 79
35	0399300800	• DECAL	1	CE				CE
36	0399300500	• DECAL	3					
	B443e1L							



B4-43e-1-D

Item	Part number	Description	Q'ty	DECAL	Chan.	Serial No.	Serv.	Remarks
0	0329390000	DECAL SET	1			1073001~1073474		
	0329350000	DECAL SET	1			1073475~1074339		
	0329358000	DECAL SET	1		U.S. TAKEUCHI	1073001~1074339		U.S. TAKEUCHI
1	0329350100	• DECAL	2					
3	0359306200	• DECAL	4					
4	0329360040	• DECAL	1					
5	0359306500	• DECAL	4					
6	0359306600	• SYMBOL MARK	1					
7	0359306700	• SYMBOL MARK	1					
8	0429311200	• DECAL	1			1073001~1073474		
	(H) 0329350950	• DECAL	1			1073475~1074339		
9	0429311100	• DECAL	1			1073001~1073474		
	(H) 0329350900	• DECAL	1			1073475~1074339		
10	0329350300	• DECAL	1			1073001~1073474		
10-1	(H) 0329350310	• DECAL	1			1073475~1074339		
14	0329352300	• SYMBOL MARK	1			1073001~1073537		
	(H) 0329360100	• SYMBOL MARK	2			1073538~1074339		
15	0439302500	• SYMBOL MARK	1			1073001~1073474		
	(H) 0329352400	• SYMBOL MARK	1			1073475~1073537		
16	0419304500	• DECAL	1			1073001~1073474		
	(H) 0329350250	• DECAL	1			1073475~1074339		
17	0329350400	• DECAL	1					
18	0329350500	• DECAL	2			1073001~1074114		
19	0339310400	• DECAL	1					
23	0329350700	• DECAL	1		JCBÊÛÀ°Ý/JCB pattern			JCBÊÛÀ°Ý
24	0329350800	• DECAL	1		JCBÊÛÀ°Ý/JCB pattern			JCBÊÛÀ°Ý
25	0569321980	• DECAL	1					
26	0359313700	• DECAL	1					
27	0359307400	• DECAL	1					
29	0329360120	• DECAL	1			1073538~1074339		
30	0329360060	• DECAL	1			1073538~1074339		
32	0359313900	• DECAL	1		U.S. TAKEUCHI			U.S. TAKEUCHI
33	0399300600	• DECAL	1		LWA 94			LWA 94
34	0339320100	• DECAL	1		LPA 79			LPA 79
35	0399300800	• DECAL	1		CE			CE
36	0399300500	• DECAL	3					
	B443e1L							

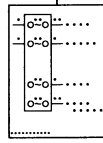


B4-43s-0-D

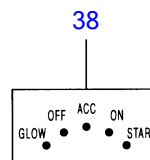
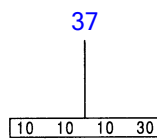
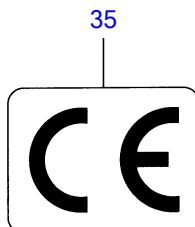
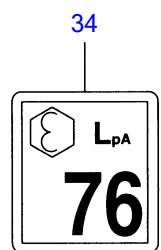
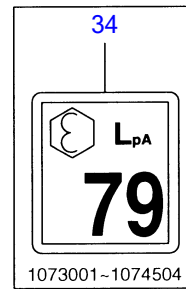
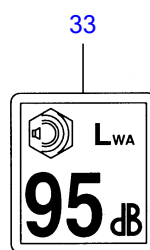
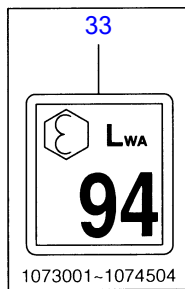
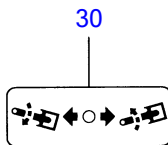
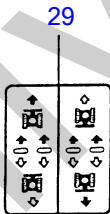
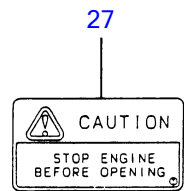
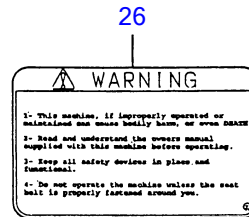
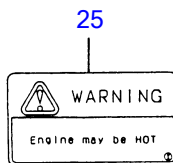
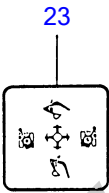
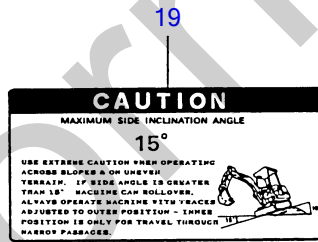
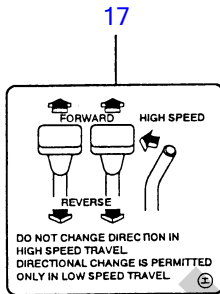
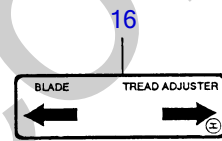
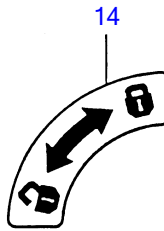
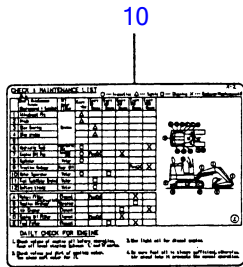
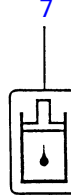
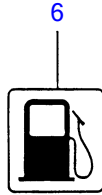
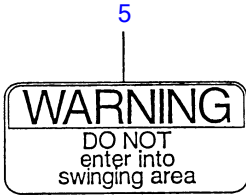
Item	Part number	Description	DECAL	Q'ty	Chan.	Serial No.	Serv.	Remarks
0	0329363000	DECAL SET (English)		1				
	0329363100	DECAL SET (German)		1				
	0329363200	DECAL SET (French)		1				
	0329363300	DECAL SET (Italian)		1				
	0329363400	DECAL SET (U.S.TAKEUCHI)		1				
1	0329350100	• DECAL		2				
2	0329363001	• DECAL (English, U.S.)		1				
	0329363101	• DECAL (German)		1				
	0329363201	• DECAL (French)		1				
	0329363301	• DECAL (Italian)		1				
3	0359306200	• DECAL		4				
5	0359306500	• DECAL (English, U.S.)		4				
	0359308100	• DECAL (German)		4				
	0359309100	• DECAL (French)		4				
	0359310100	• DECAL (Italian)		4				
6	0359306600	• DECAL		1				
7	0359306700	• DECAL		1				
8	0329350950	• DECAL		1				
9	0329350900	• DECAL		1				
10	0329350310	• DECAL (English, U.S.)		1				
	0329354300	• DECAL (German)		1				
	0329355300	• DECAL (French)		1				
	0329356300	• DECAL (Italian)		1				
11	*****	• DECAL		1				
12	*****	• DECAL		1				
13	*****	• SCREW		4				
14	0329360100	• DECAL		2				
16	0329350250	• DECAL (English, U.S.)		1				
	0329354250	• DECAL (German)		1				
	0329355250	• DECAL (French)		1				
	0329356250	• DECAL (Italian)		1				
17	0329350400	• DECAL (English, U.S.)		1				
	0329354400	• DECAL (German)		1				
	0329355400	• DECAL (French)		1				
	0329356400	• DECAL (Italian)		1				
19	0339310400	• DECAL (English, U.S.)		1				
	0339311400	• DECAL (German)		1				
	0339312400	• DECAL (French)		1				
	0339313400	• DECAL (Italian)		1				
22	0329360040	• DECAL		1				
23	0329350700	• DECAL		1				
24	0329350800	• DECAL		1				
25	0569321980	• DECAL (English)		1				
26	0359313700	• DECAL (English, U.S.)		1				
	0359314700	• DECAL (German)		1				
	0359315700	• DECAL (French)		1				
	0359316700	• DECAL (Italian)		1				
27	0359307400	• DECAL (English, U.S.)		1				
	0359314400	• DECAL (German)		1				
	0359315400	• DECAL (French)		1				
	0359316400	• DECAL (Italian)		1				
29	0329360120	• DECAL		1				
30	0359325170	• DECAL		1				
32	0359313900	• DECAL (U.S.TAKEUCHI)		1				
33	0399300600	• DECAL		1		1073001~1074504		
	0379337027	• DECAL		1		1074505~		
34	0399320100	• DECAL		1		1073001~1074504		
	0329363034	• DECAL		1		1074505~		
35	0399300800	• DECAL		1				
36	0399300500	• DECAL		1				
37	0329363002	• DECAL		1				
38	0329363038	• DECAL		1				
	B443s1L							

DECAL

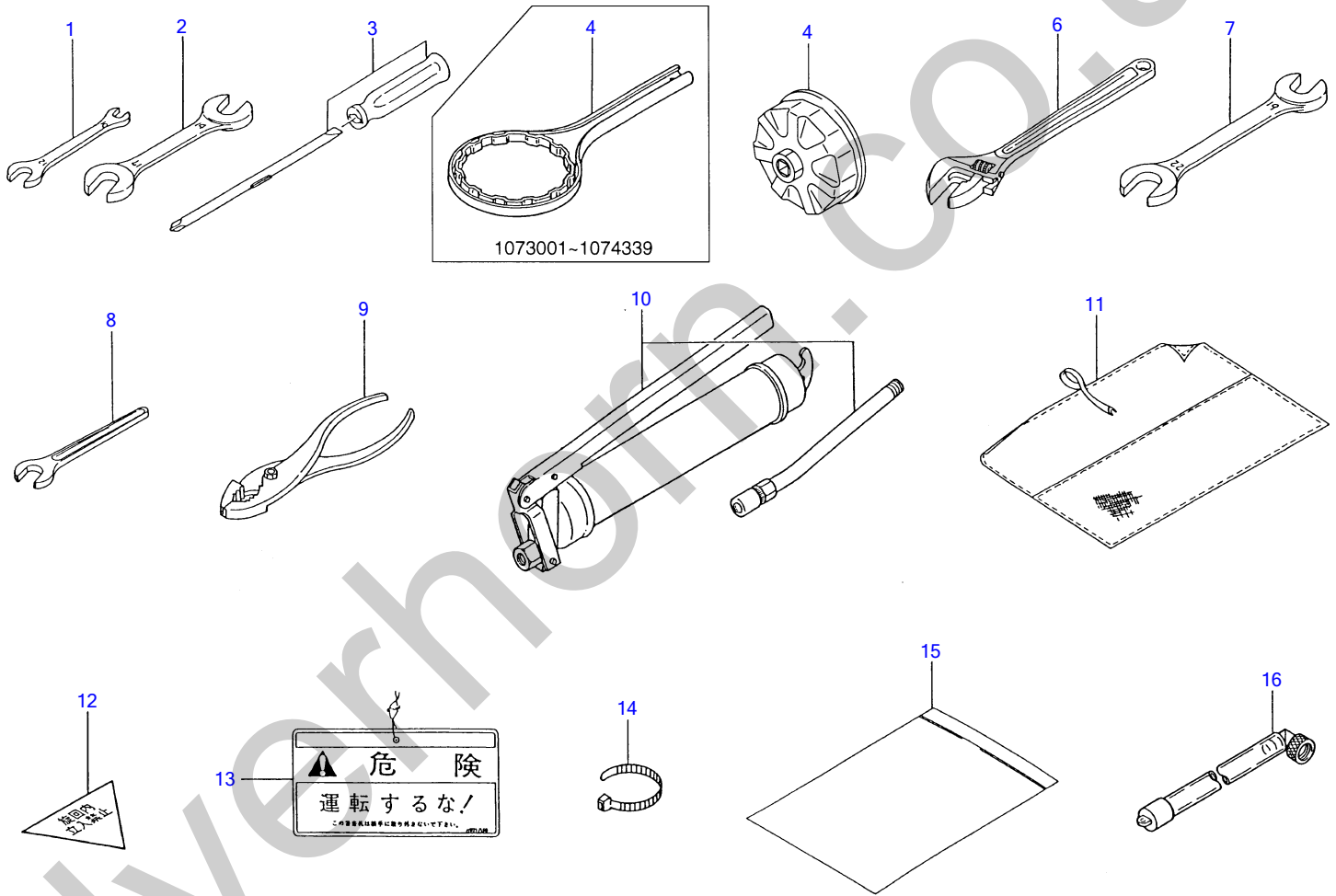
1
TB007



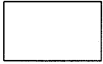
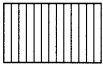
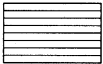
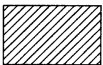
3
TAKEUCHI

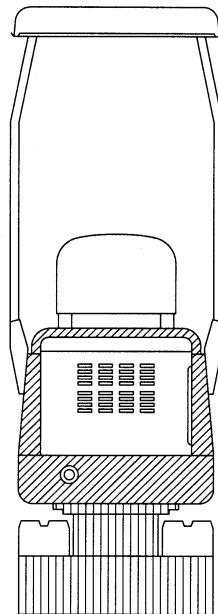
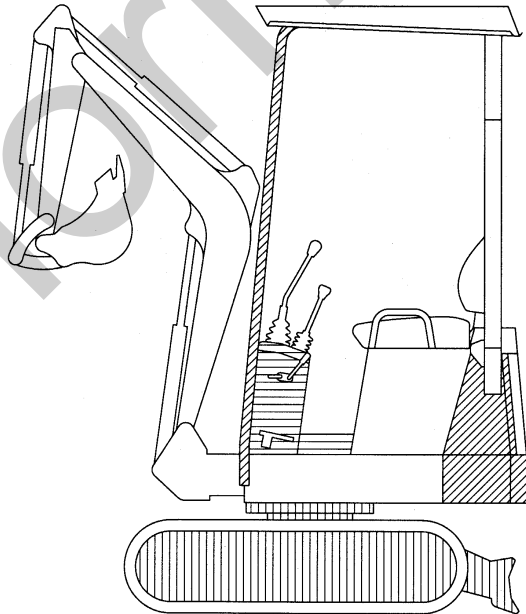
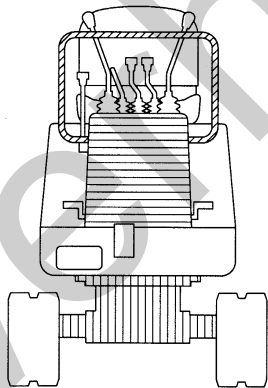
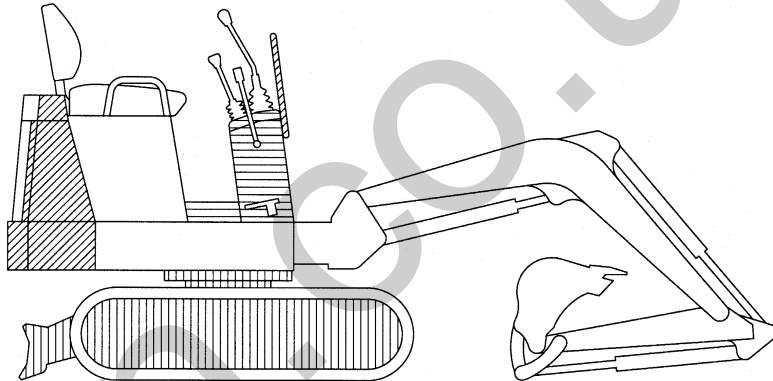
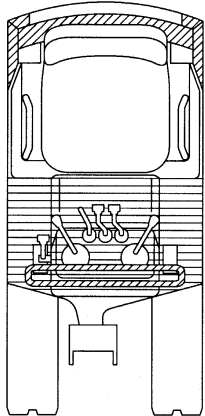


Item	Part number	Description	DECAL	Q'ty	Chan.	Serial No.	Serv.	Remarks
0	0329363000	DECAL SET (English)		1				
	0329363100	DECAL SET (German)		1				
	0329363200	DECAL SET (French)		1				
	0329363300	DECAL SET (Italian)		1				
	0329363400	DECAL SET (U.S.TAKEUCHI)		1				
1	0329350100	• DECAL		2				
2	0329363001	• DECAL (English, U.S.)		1				
	0329363101	• DECAL (German)		1				
	0329363201	• DECAL (French)		1				
	0329363301	• DECAL (Italian)		1				
3	0359306200	• DECAL		4				
5	0359306500	• DECAL (English, U.S.)		4				
	0359308100	• DECAL (German)		4				
	0359309100	• DECAL (French)		4				
	0359310100	• DECAL (Italian)		4				
6	0359306600	• DECAL		1				
7	0359306700	• DECAL		1				
8	0329350950	• DECAL		1				
9	0329350900	• DECAL		1				
10	0329350310	• DECAL (English, U.S.)		1				
	0329354300	• DECAL (German)		1				
	0329355300	• DECAL (French)		1				
	0329356300	• DECAL (Italian)		1				
11	*****	• DECAL		1				
12	*****	• DECAL		1				
13	*****	• SCREW		4				
14	0329360100	• DECAL		2				
16	0329350250	• DECAL (English, U.S.)		1				
	0329354250	• DECAL (German)		1				
	0329355250	• DECAL (French)		1				
	0329356250	• DECAL (Italian)		1				
17	0329350400	• DECAL (English, U.S.)		1				
	0329354400	• DECAL (German)		1				
	0329355400	• DECAL (French)		1				
	0329356400	• DECAL (Italian)		1				
19	0339310400	• DECAL (English, U.S.)		1				
	0339311400	• DECAL (German)		1				
	0339312400	• DECAL (French)		1				
	0339313400	• DECAL (Italian)		1				
22	0329360040	• DECAL		1				
23	0329350700	• DECAL		1				
24	0329350800	• DECAL		1				
25	0569321980	• DECAL (English)		1				
26	0359313700	• DECAL (English, U.S.)		1				
	0359314700	• DECAL (German)		1				
	0359315700	• DECAL (French)		1				
	0359316700	• DECAL (Italian)		1				
27	0359307400	• DECAL (English, U.S.)		1				
	0359314400	• DECAL (German)		1				
	0359315400	• DECAL (French)		1				
	0359316400	• DECAL (Italian)		1				
29	0329360120	• DECAL		1				
30	0359325170	• DECAL		1				
32	0359313900	• DECAL (U.S.TAKEUCHI)		1				
33	0399300600	• DECAL		1		1073001~1074504		
	0379337027	• DECAL		1		1074505~		
34	0399320100	• DECAL		1		1073001~1074504		
	0329363034	• DECAL		1		1074505~		
35	0399300800	• DECAL		1				
36	0399300500	• DECAL		1				
37	0329363002	• DECAL		1				
38	0329363038	• DECAL		1				
	B443s1L							



Item	Part number	Description	TOOL Q'ty	Chan.	Serial No.	Serv.	Remarks
1	1910047081	SPANNER	1	Y28110-100120			Y28110-100120
2	1910047082	SPANNER	1	Y28110-140170			Y28110-140170
3	1910006112	DRIBER	1	Y104200-92350			Y104200-92350
4	1910066081	WRENCH, filter	1	Y119332-92750	1073001~1074339		Y119332-92750
	1910096081	WRENCH, filter	1	Y119332-92750	1074340~		Y119332-92750
5	0329290000	TOOL SET	1				
6	1690400250	• MONKEY WRENCH	1				
7	1690001922	• SPANNER	1				
8	1690100013	• SPANNER	1				
9	1690500200	• PRIER	1				
10	1691010800	• GUN ASSY, grease	1	"ú{CEü/for Japan			"ú{CEü
	1691060600	• GUN ASSY, grease	1				
11	1691400001	• CASE, tool	1				
12	0069356400	DECAL	1	"ú{CEü/for Japan			"ú{CEü
13	0359325160	PLATE	1	"ú{CEü/for Japan			"ú{CEü
14	1652200004	BAND	1				
15	1691900001	CASE	1				
16	1554512201	TUBE	1	EUCEü/for EU			EUCEü
	B444a4L						


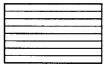
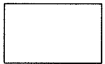
- 1 
- 2 
- 3 
- 4 

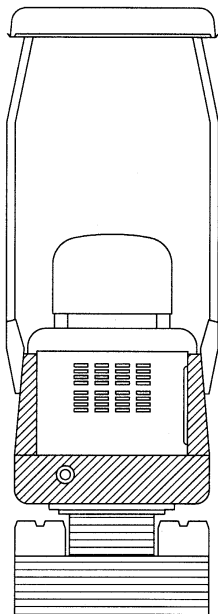
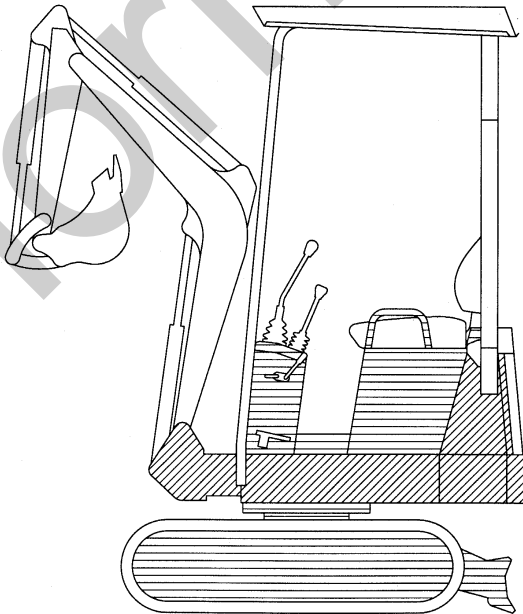
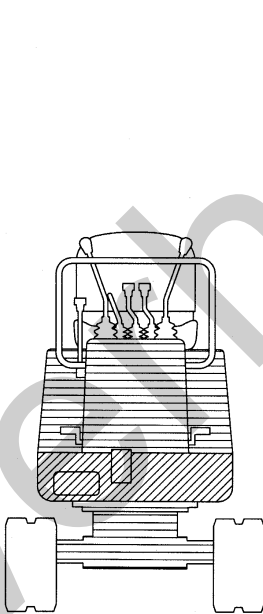
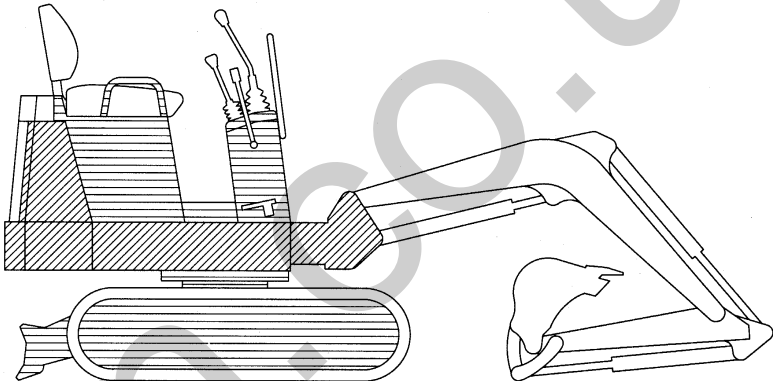
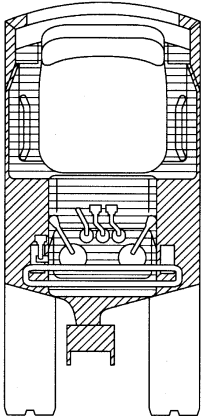


B4-44b-0-D

Item	Part number	Description	PAINTED COLOR Q'ty	Chan.	Serial No.	Serv.	Remarks
		PAINTED COLOR					03291-50000/
		PAINTED COLOR					03291-50100/
1	1919060099	GRAY	1				
	1919069099	GRAY	1				fXfvfCE
2	1919060101	GRAY, brown	1				
	1919069101	GRAY, brown	1				fXfvfCE
3	1919060103	BROWN, gray	1				
	1919069103	BROWN, gray	1				fXfvfCE
4	1919060105	RED	1				
	1919069105	RED	1				fXfvfCE
7	1919060090	ORANGE	1				,pØ½l" Å"Y,p/FITTING, grease
		YELLOW					,pØ½l" Å"Y,p
	B444b0L						

Silverhorn.CO.UK

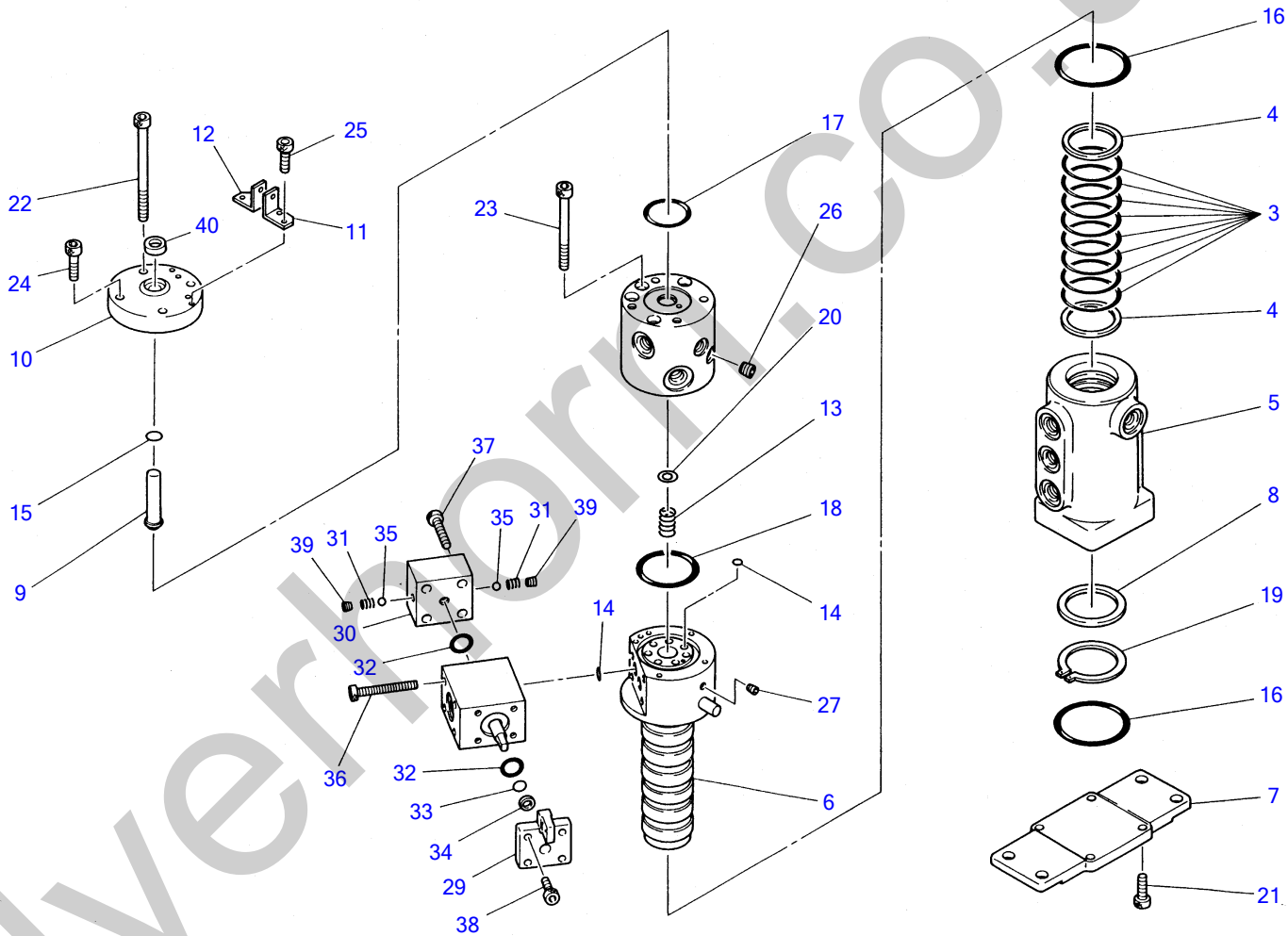
- 1 
- 3 
- 4 



B4-44c-0-D

Item	Part number	Description	PAINTED COLOR		Serial No.	Serv.	Remarks
			Q'ty	Chan.			
		PAINTED COLOR		03291-50500			03291-50500
1	1919060105	RED	1				
	1919069105	RED	1	fXfvfCE/spray			fXfvfCE
3	1919060144	GRAY	1				
	1919069144	GRAY	1	fXfvfCE/spray			fXfvfCE
4	1919060142	LIGHT GRAY	1				
	1919069142	LIGHT GRAY	1	fXfvfCE/spray			fXfvfCE
5	1919060090	ORANGE	1				
		YELLOW	1	,pØ½l"Ä"Y,p/FITTING, grease			,pØ½l"Ä"Y,p
	B444c0L						

Silverhorn.CO.UK

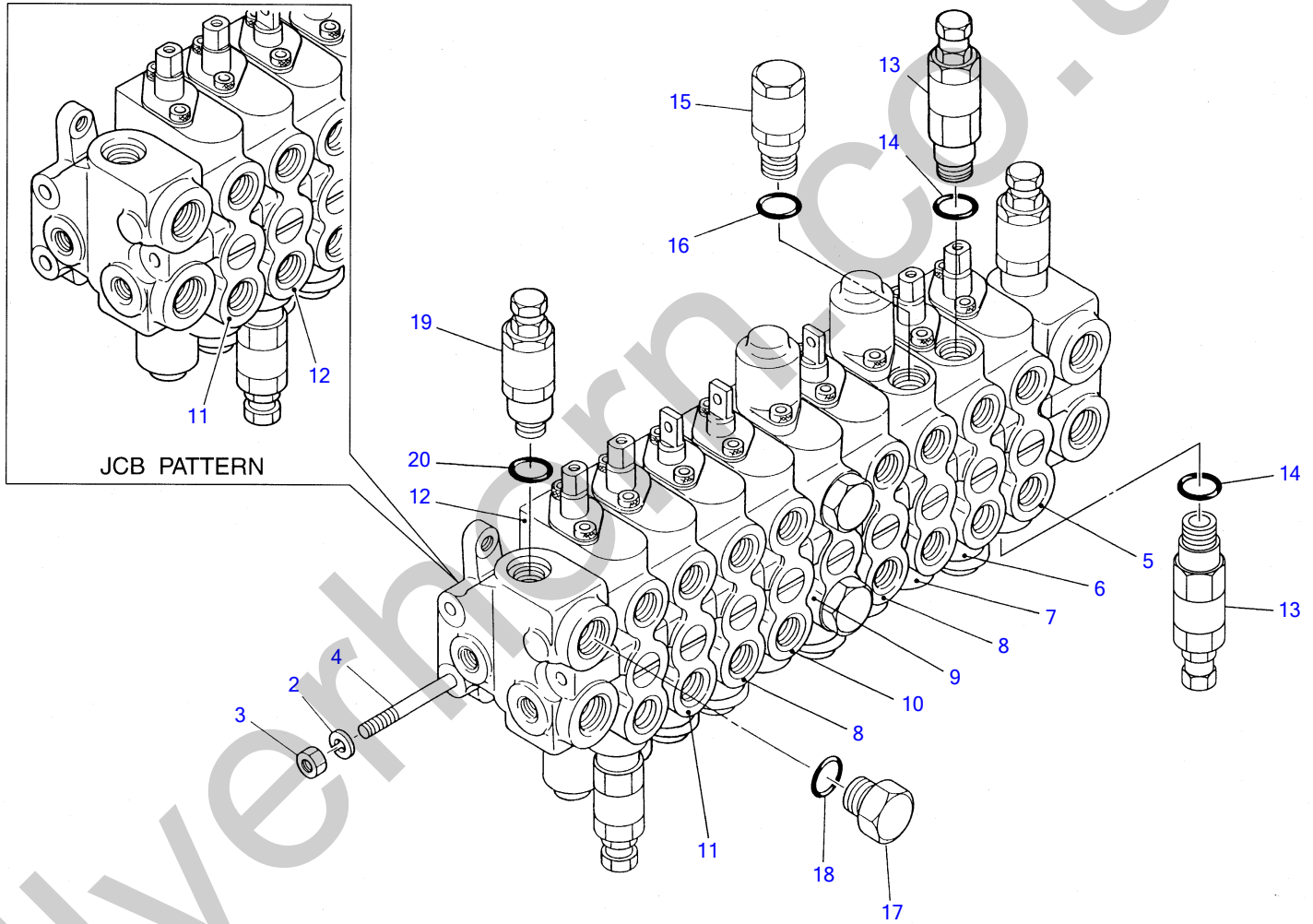


B4-45a-0-D

SWIVEL JOINT

Item	Part number	Description	Q'ty	Chan.	Serial No.	Serv.	Remarks
1	1904006800	JOINT, swivel ASSY	1				
2	1904006699	• KIT, seal	1				
3	1420010500	• • O-RING	8				
4	1421030500	• • RING, back-up	2				
5	1904006801	• HUB	1				
6	1904006811	• SHAFT	1				
7	1904006821	• FLANGE	1				
8	1904006604	• RING	1				
9	1904006608	• PIN	1				
10	1904006809	• COVER	1				
11	1904006610	• BRACKET	1				
12	1904006633	• BRACKET	1				
13	1904006612	• SPRING	1				
14	1420010090	• O-RING	9				
15	1420000080	• O-RING	1				
16	1420110600	• O-RING	2				
17	1420110350	• O-RING	1				
18	1420310033	• O-RING	1				
19	1220000045	• RING, snap	1				
20	1141200008	• WASHER	1				
21	1110050820	• SCREW, cap	4				
22	1110050695	• SCREW, cap	2				
23	1110050675	• SCREW, cap	4				
24	1110050625	• SCREW, cap	2				
25	1110050512	• SCREW, cap	4				
26	1501810002	• PLUG	2				
27	1501810000	• PLUG	1				
28	1904006632	• SELECTOR ASSY	1				
29	1904006653	• • COVER	1				
30	1904006654	• • COVER	1				
31	1904006655	• • SPRING	2				
32	1420010160	• • O-RING	2				
33	1420000100	• • O-RING	1				
34	1421020100	• • RING, back-up	1				
35	1390020350	• • BALL, steel	2				
36	1110050555	• • SCREW, cap	4				
37	1110050540	• • SCREW, cap	4				
38	1110050516	• • SCREW, cap	4				
39	1501810000	• • PLUG	2				
40	1411170080	• SEAL, dust	1				

B445a3L



B4-46a-2-D

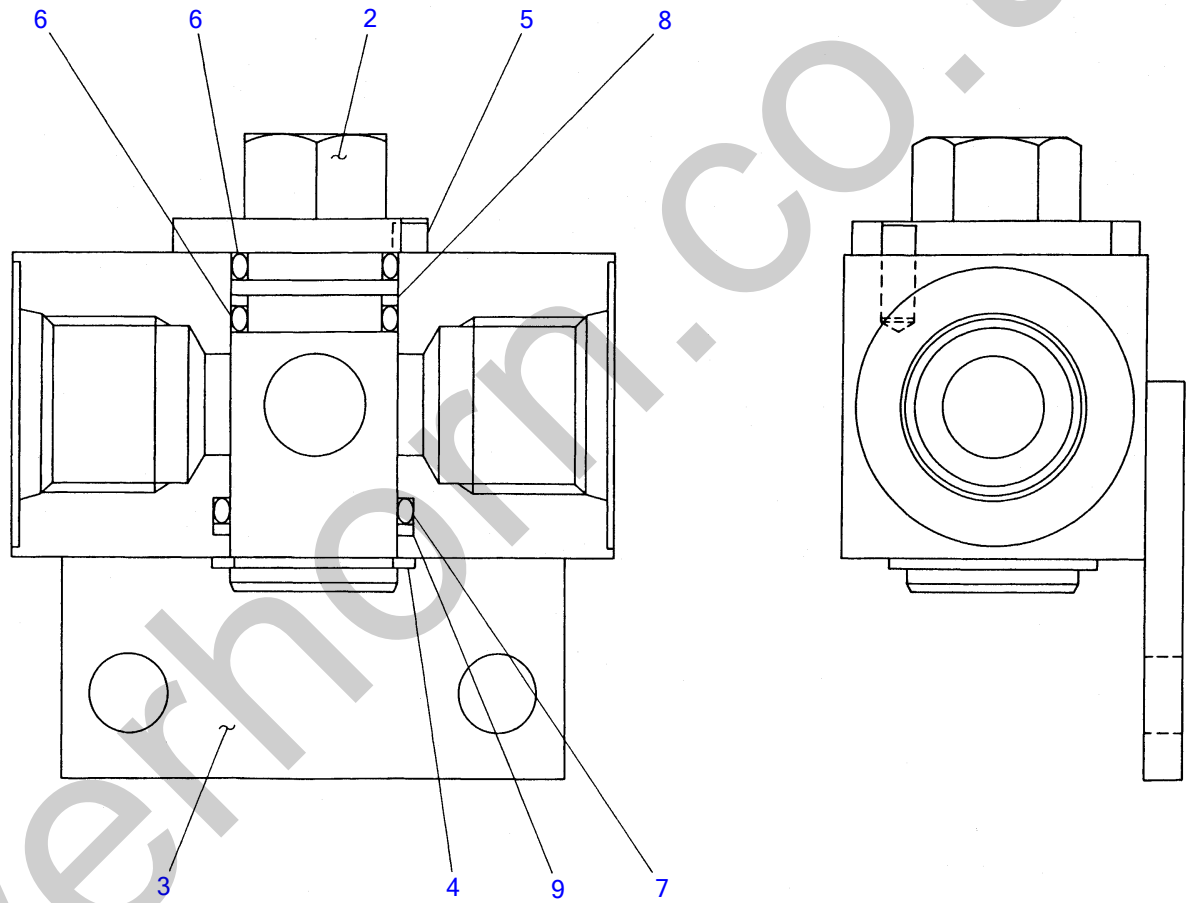
CONTROL VALVE 1

Item	Part number	Description	Q'ty	Chan.	Serial No.	Serv.	Remarks
1	1901029000	VALVE ASSY, control	1		1073001~1073871		
	(H) 1901036200	VALVE ASSY, control	1		1073872~		
	1901031100	VALVE ASSY, control	1	JCBÊßÀ°Ý/JCB pattern	1073001~1073871		JCBÊßÀ°Ý
	(H) 1901036300	VALVE ASSY, control	1	JCBÊßÀ°Ý/JCB pattern	1073872~		JCBÊßÀ°Ý
2	1140010008	WASHER, spring	3				
3	1130050008	NUT	3				
4	1901022506	ROD	3				
5	1901025113	BLOCK ASSY	1	Êb¹-Ä/bucket	1073001~1073871		Êb¹-Ä
	1901036213	BLOCK ASSY	1	Êb¹-Ä/bucket	1073872~		Êb¹-Ä
6	1901025111	BLOCK ASSY	1	ìp°Ñ/boom			ìp°Ñ
7	1901029018	BLOCK ASSY	1	½²Ý, p/swing			½²Ý, p
8	1901025115	BLOCK ASSY	2	-lls/travel			-lls
9	1901022619	BLOCK ASSY	1	ìpÚ°¶/breaker			ìpÚ°¶
10	1901025117	BLOCK ASSY	1	ìpÚ°Äp/blade			ìpÚ°Äp
11	1901025114	BLOCK ASSY	1	llù%ñ/slew			llù%ñ
12	1901025112	BLOCK ASSY	1	±°Ñ/arm			±°Ñ
13	1901029022	VALVE ASSY	2	μ°ÊbÚ°ÄpØØ°ì/over load relief	1073001~1073871		μ°ÊbÚ°ÄpØØ°ì
	1901029022	VALVE ASSY	3	μ°ÊbÚ°ÄpØØ°ì/over load relief	1073872~		μ°ÊbÚ°ÄpØØ°ì
14	1420000140	• O-RING	1				
15	1901025122	VALVE ASSY	1				
16	1420000140	• O-RING	1				
17	1901022670	PLUG	3	» ¼@Ý/suction			» ¼@Ý
18	1420010140	• O-RING	3				
19	1901029021	VALVE ASSY	2	ØØ°ì/relief			ØØ°ì
20	1420000140 B446a2L	• O-RING	1				

CONTROL VALVE 2

Item	Part number	Description	Q'ty	Chan.	Serial No.	Serv.	Remarks
1	1901025126	HOUSING, inlet	1				
2	1501810002	PLUG	3		1073001~1073871		
	1501810002	PLUG	2		1073872~		
3	1420100400	O-RING	10				
4	1901025193	PLUG	2				
5	1420010110	O-RING	2				
6	1901022590	PLUG	8				
7	1901022566	VALVE, check	6				
8	1901022557	SPRING	6				
9	1901022541	HOLDER, seal	18				
10	1901022561	COVER	9				
11	1901022551	HOLDER, spring	18				
12	1901022556	SPRING	9				
13	1110050514	SCREW, cap	26				
14	1140010005	WASHER, spring	8				
15	1140100005	WASHER	8				
16	1420310905	O-RING	8				
17	1901029081	O-RING	16				
18	1421030120	RING, back-up	18				
19	1901029091	BOLT, sems	1				
20	1420000120	O-RING	2				
21	1901022591	SPACER	1				
22	1901025191	SHEET, check	2				
23	1901025192	BALL, steel	1				
24	1110050508	SCREW, cap	18				
25	1901025127	HOUSING, inlet	1				

B447a2L

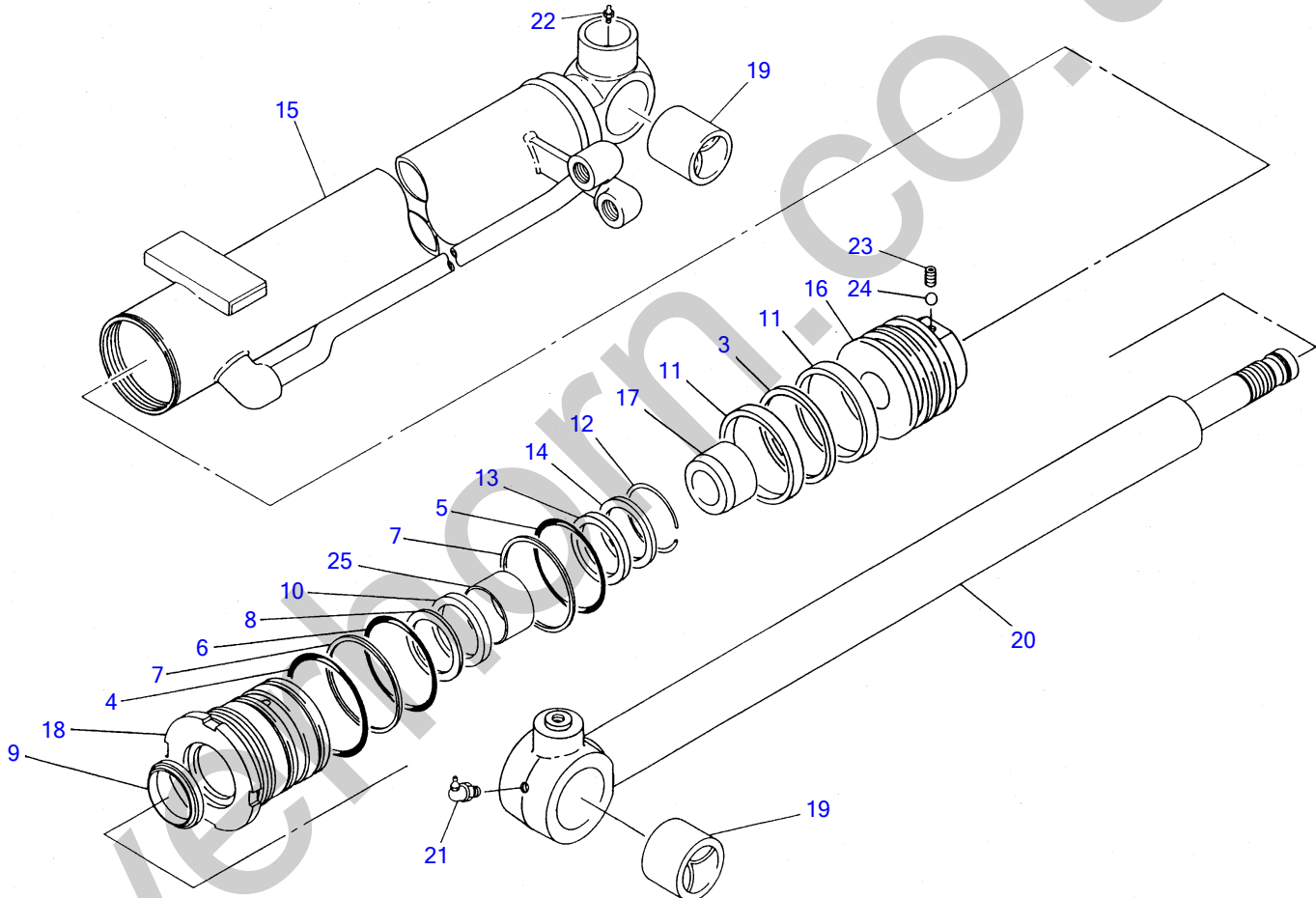


E3-50b-1-D

STOP VALVE

Item	Part number	Description	Q'ty	Chan.	Serial No.	Serv.	Remarks
1	1901719800	VALVE, stop	1				
2	1901719802	• VALVE	1				
3	1901719803	• PLATE	1				
4	1901719804	• RING, snap	1				
5	1901719805	• PIN, spring	1				
6	1420010160	• O-RING	2				
7	1420010200	• O-RING	1				
8	1421020160	• RING, back-up	1				
9	1421020200	• RING, back-up	1				
	E350b1L						

Silverhorn.CO.UK

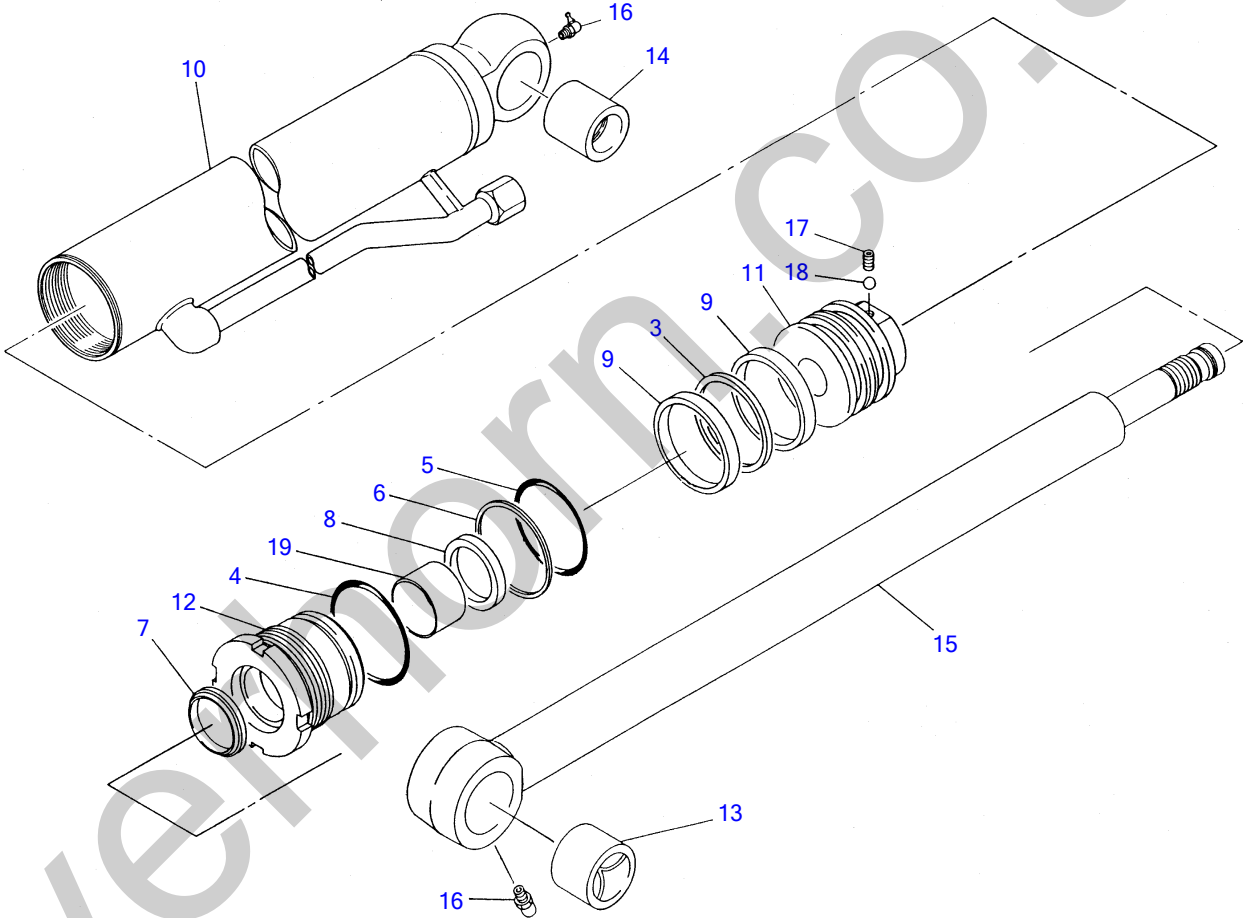


B4-51a-0-D

BOOM CYLINDER

Item	Part number	Description	Q'ty	Chan.	Serial No.	Serv.	Remarks
1	1900056900	CYLINDER ASSY	1		1073001~1074339		
	(H) 1900082100	CYLINDER ASSY	1		1074340~		
2	1900056999	• KIT, seal	1				
3	1900056932	• • PACKING, piston	1				
4	1420500500	• • O-RING	1				
5	1420110400	• • O-RING	1				
6	1420110450	• • O-RING	1				
7	1421130450	• • RING, back-up	2				
8	1421135252	• • RING, back-up	1				
9	1900056933	• • SEAL, dust	1				
10	1900056932	• • PACKING, rod	1				
11	1900056928	• RING, wear	2				
12	1900056926	• STOPPER	1				
13	1900056916	• RING, cushion	1				
14	1900056915	• SPACER	1				
15	1900056907	• TUBE	1				
16	1900056906	• PISTON	1				
17	1900056905	• BEARING, cushion	1				
18	1900056903	• COVER, rod	1				
19	1900056902	• BUSHING	2	19000-45120			19000-45120
20	1900056901	• ROD, piston	1		1073001~1074339		
	(H) 1900082101	• ROD, piston	1		1074340~		
21	1560001675	• FITTING, grease	1				
22	1560001000	• FITTING, grease	1				
23	1121000608	• SET-SCREW	1				
24	1390010250	• BALL, steel	1				
25	1333002525	• BUSHING	1				
	B451a3L						

Silverhorn.CO.UK

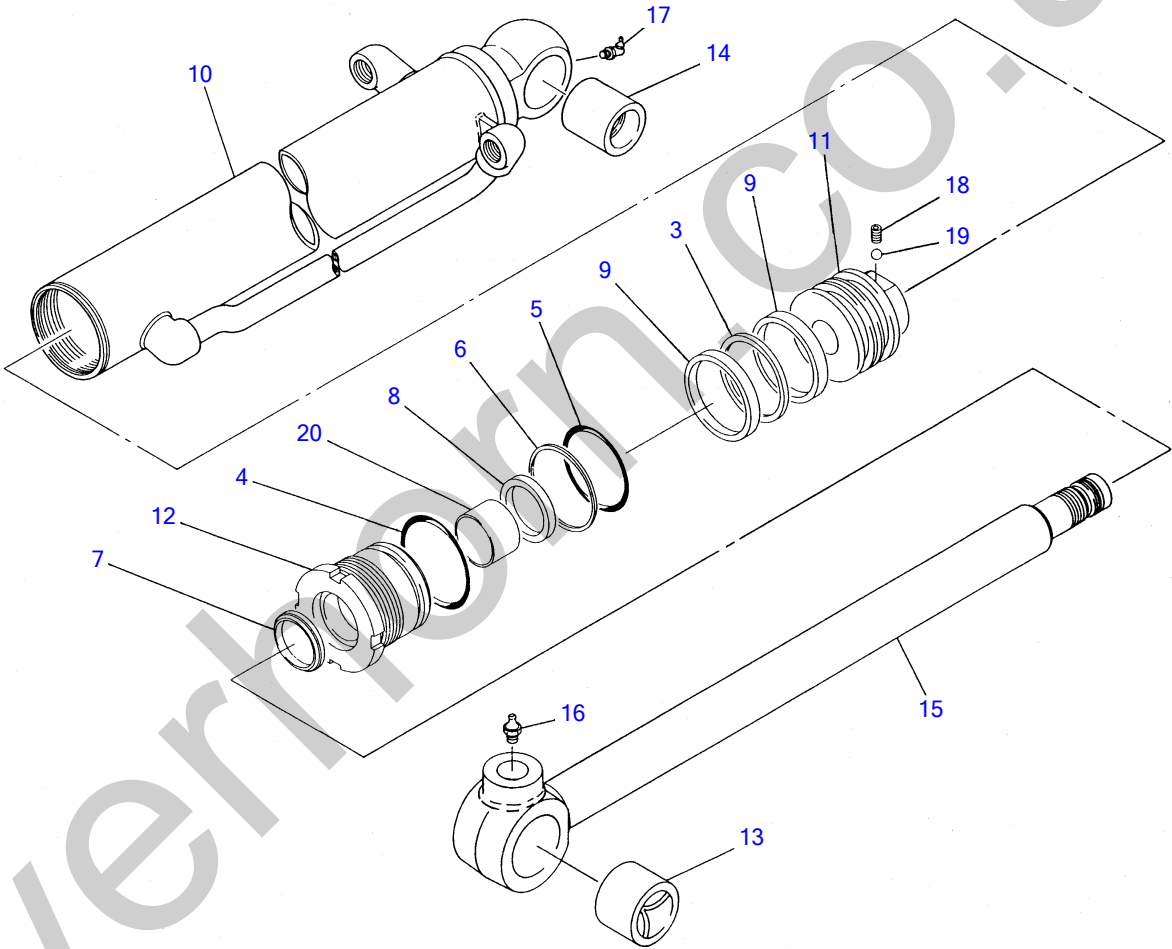


B4-52a-0-D

ARM CYLINDER

Item	Part number	Description	Q'ty	Chan.	Serial No.	Serv.	Remarks
1	1900057000	CYLINDER ASSY	1				
2	1900051999	· KIT, seal	1				
3	1900051932	· · PACKING, piston	1				
4	1420500550	· · O-RING	1				
5	1420110500	· · O-RING	1				
6	1421130500	· · RING, back-up	1				
7	1900051931	· · SEAL, dust	1				
8	1410530408	· · PACKING, rod	1				
9	1900051926	· RING, wear	2				
10	1900057007	· TUBE	1				
11	1900053506	· PISTON	1				
12	1900053503	· COVER, rod	1				
13	1900056902	· BUSHING	1	19000-45120			19000-45120
14	1900057002	· BUSHING	1	19000-45102			19000-45102
15	1900057001	· ROD, piston	1				
16	1560001900	· FITTING, grease	2				
17	1121000605	· SET-SCREW	1				
18	1390010250	· BALL, steel	1				
19	1333003025	· BUSHING	1				
	B452a3L						

Silverhorn.CO.UK

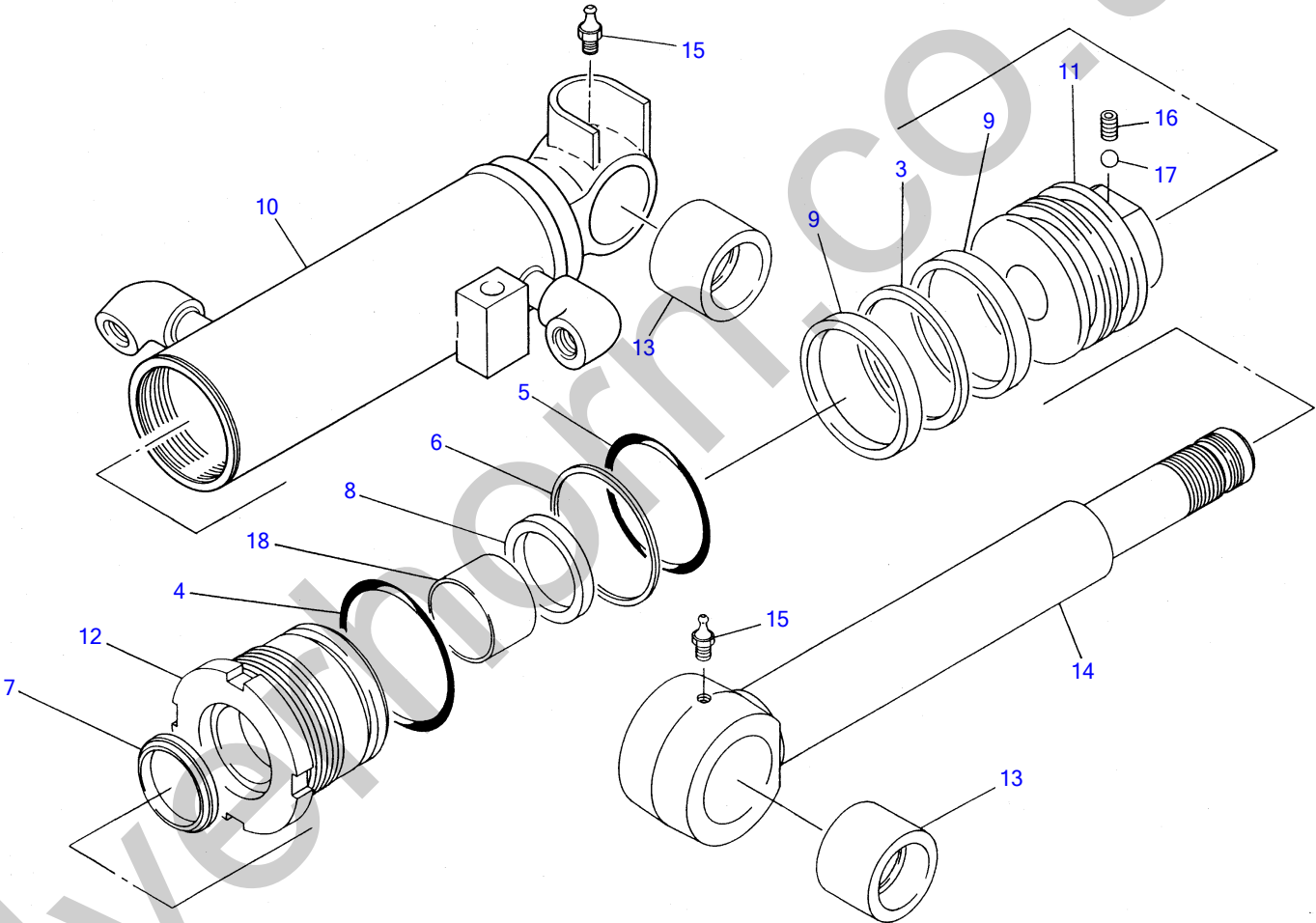


B4-53a-0-D

BUCKET CYLINDER

Item	Part number	Description	Q'ty	Chan.	Serial No.	Serv.	Remarks
1	1900057100	CYLINDER ASSY	1				
2	1900057199	· KIT, seal	1				
3	1900056931	· · PACKING, piston	1				
4	1420500500	· · O-RING	1				
5	1420110450	· · O-RING	1				
6	1421130450	· · RING, back-up	1				
7	1900056933	· · SEAL, dust	1				
8	1900056932	· · PACKING, rod	1				
9	1900056928	· RING, wear	2				
10	1900057107	· TUBE	1				
11	1900057106	· PISTON	1				
12	1900057103	· COVER, rod	1				
13	1900056902	· BUSHING	1	19000-45120			19000-45120
14	1900057002	· BUSHING	1	19000-45102			19000-45102
15	1900057101	· ROD, piston	1				
16	1560001000	· FITTING, grease	1				
17	1560001900	· FITTING, grease	1				
18	1121000608	· SET-SCREW	1				
19	1390010250	· BALL, steel	1				
20	1333002525	· BUSHING	1				
	B453a3L						

Silverhorn.CO.UK

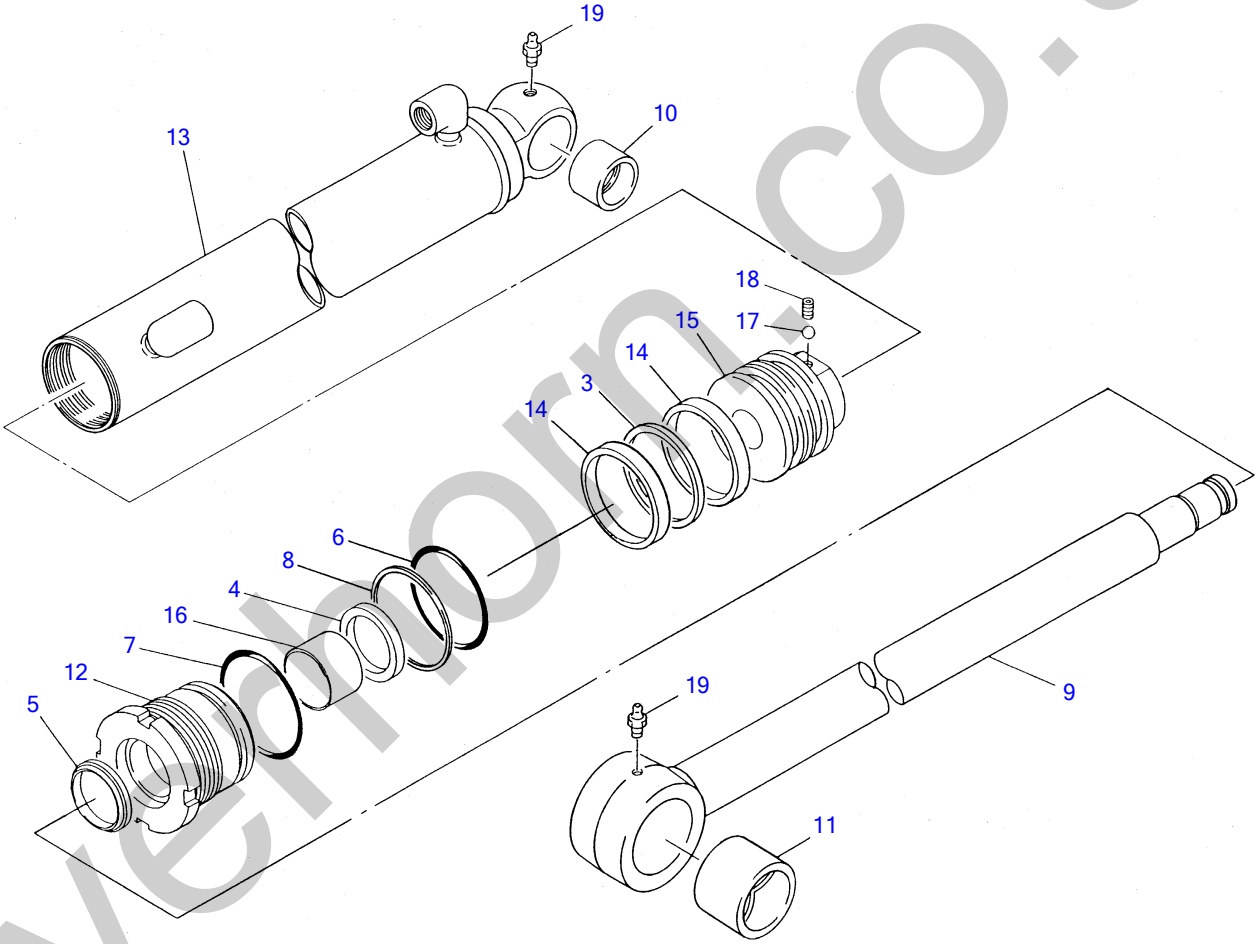


B4-54a-0-D

DOZER BLADE CYLINDER

Item	Part number	Description	Q'ty	Chan.	Serial No.	Serv.	Remarks
1	1900057300	CYLINDER ASSY	1				
2	1900057199	· KIT, seal	1				
3	1900056931	· · PACKING, piston	1				
4	1420500500	· · O-RING	1				
5	1420110450	· · O-RING	1				
6	1421130450	· · RING, back-up	1				
7	1900056933	· · SEAL, dust	1				
8	1900056932	· · PACKING, rod	1				
9	1900056928	· RING, wear	2				
10	1900057307	· TUBE	1				
11	1900057106	· PISTON	1				
12	1900057103	· COVER, rod	1				
13	1900057002	· BUSHING	2	19000-45102			19000-45102
14	1900057301	· ROD, piston	1				
15	1560001000	· FITTING, grease	1				
16	1121000608	· SET-SCREW	1				
17	1390010250	· BALL, steel	1				
18	1333002525	· BUSHING	1				
	B454a3L						

Silverhorn.CO.UK

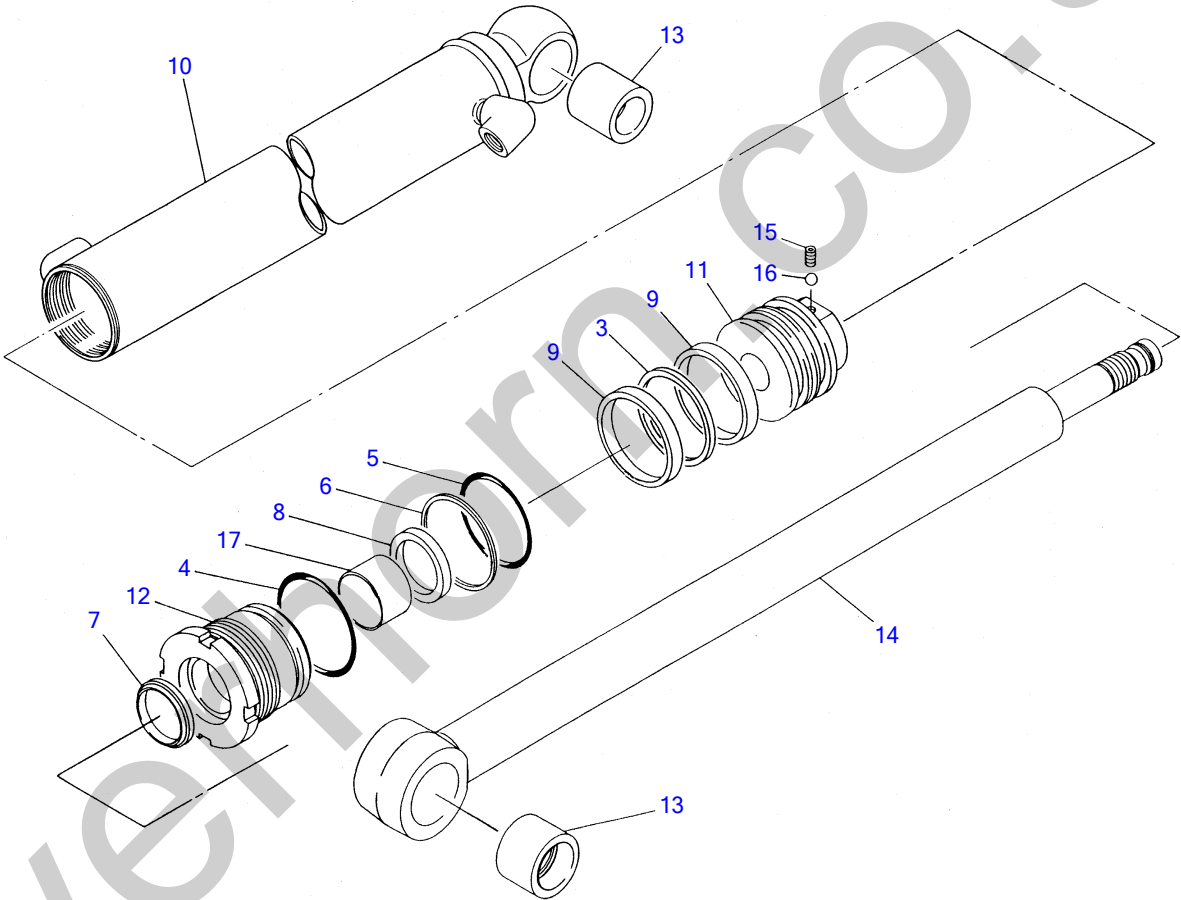


B4-55a-0-D

SWING CYLINDER

Item	Part number	Description	Q'ty	Chan.	Serial No.	Serv.	Remarks
1	1900057200	CYLINDER ASSY	1				
2	1900057199	• KIT, seal	1				
3	1900056931	• • PACKING, piston	1				
4	1420500500	• • PACKING, rod	1				
5	1420110450	• • SEAL, dust	1				
6	1421130450	• • O-RING	1				
7	1900056933	• • O-RING	1				
8	1900056932	• • RING, back-up	1				
9	1900057201	• ROD, piston	1				
10	1900057002	• BUSHING	1	19000-45102			19000-45102
11	1900056902	• BUSHING	1	19000-45120			19000-45120
12	1900057203	• COVER, rod	1				
13	1900057207	• TUBE	1				
14	1900056928	• RING, wear	1				
15	1900057106	• PISTON	1				
16	1333002525	• BUSHING	1				
17	1390010250	• BALL, steel	1				
18	1121000608	• SET-SCREW	1				
19	1560001000	• FITTING, grease	2				
	B455a3L						

Silverhorn.CO.UK

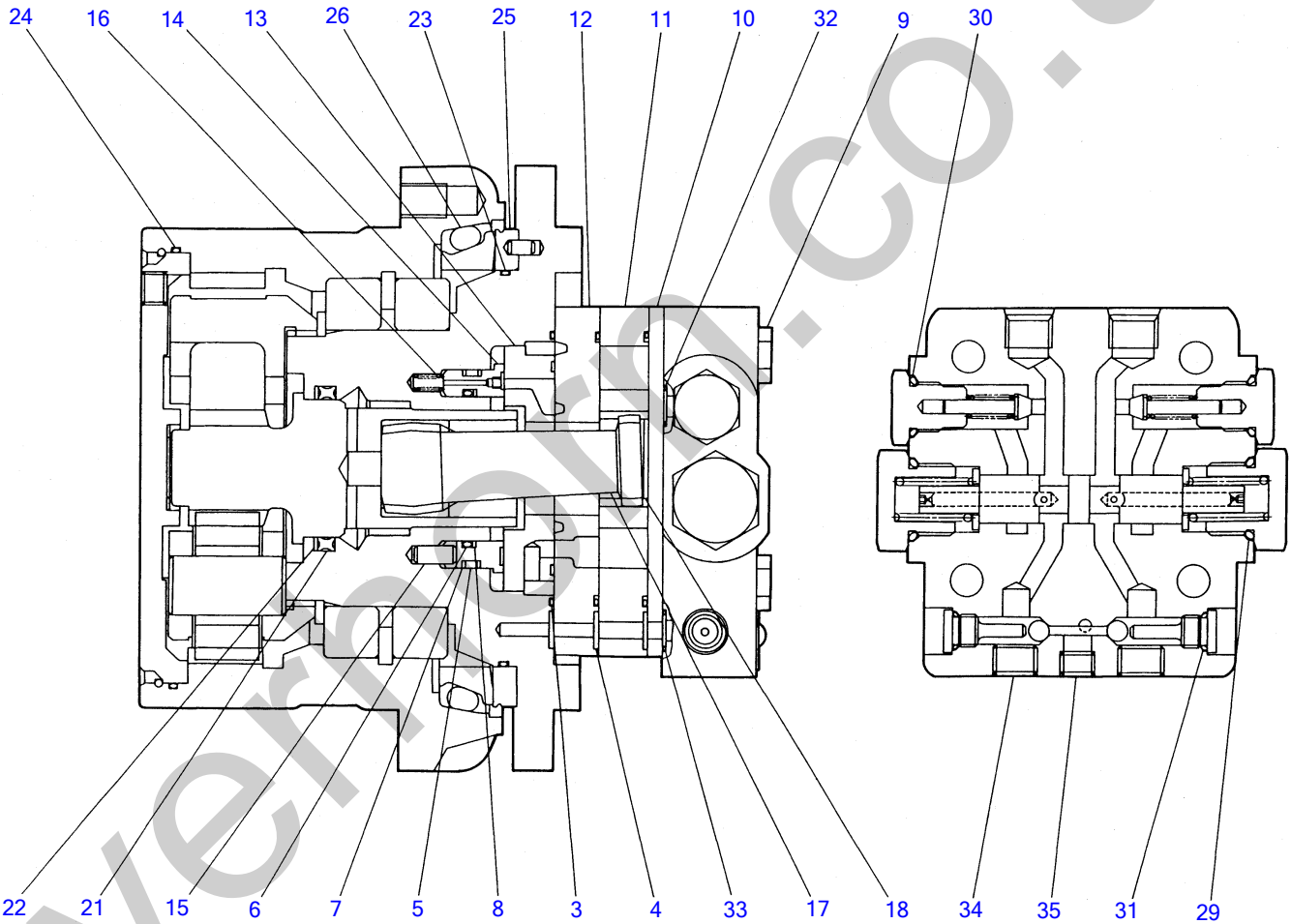


B4-55b-0-D

SPANNER CYLINDER

Item	Part number	Description	Q'ty	Chan.	Serial No.	Serv.	Remarks
1	1900057400	CYLINDER ASSY	1				
2	1900057199	· KIT, seal	1				
3	1900056931	· · PACKING, piston	1				
4	1420500500	· · O-RING	1				
5	1420110450	· · O-RING	1				
6	1421130450	· · RING, back-up	1				
7	1900056933	· · SEAL, dust	1				
8	1900056932	· · PACKING, rod	1				
9	1900056928	· RING, wear	2				
10	1900057407	· TUBE	1				
11	1900057106	· PISTON	1				
12	1900057203	· COVER, rod	1				
13	1900057002	· BUSHING	2	19000-45102			19000-45102
14	1900057401	· ROD, piston	1				
15	1121000608	· SET-SCREW	1				
16	1390010250	· BALL, steel	1				
17	1333002525	· BUSHING	1				
	B455b3L						

Silverhorn.CO.UK

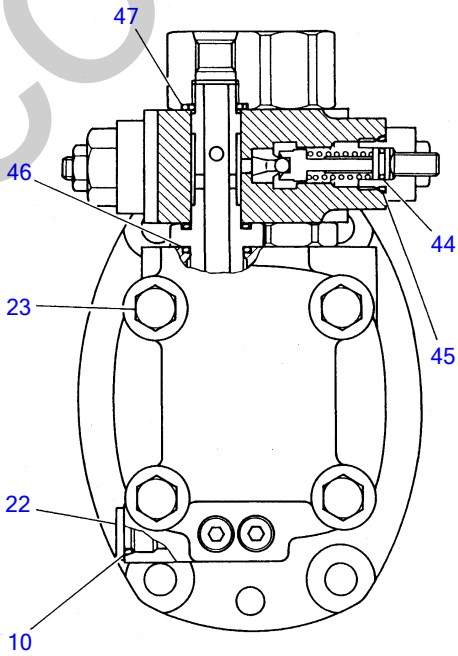
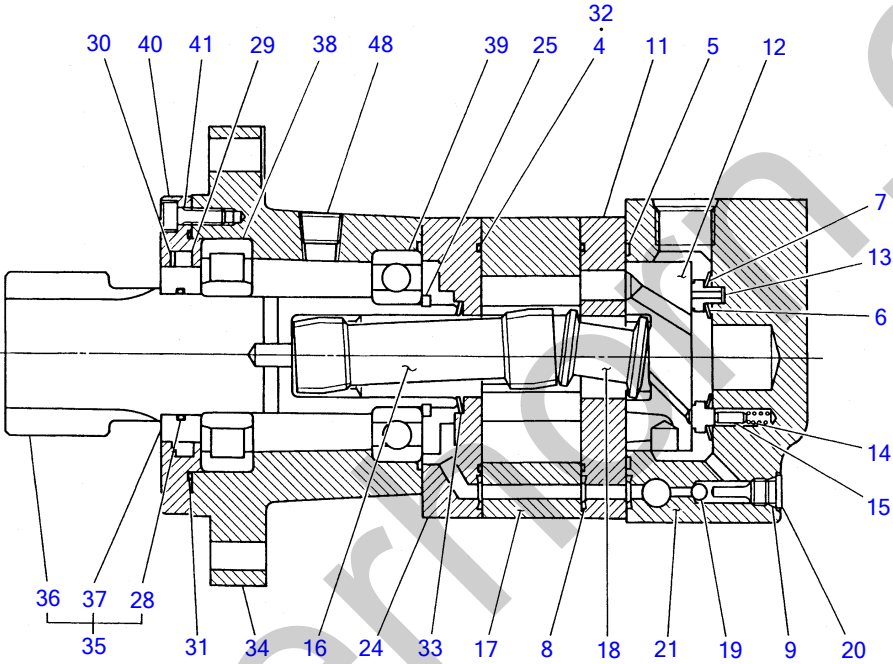


B4-56a-0-D

TRAVEL MOTOR

Item	Part number	Description	Q'ty	Chan.	Serial No.	Serv.	Remarks
1	1903111100	MOTOR ASSY	1				
2	1903111199	· KIT, seal	1				
3	1420310041	· · O-RING	3				
4	1420310011	· · O-RING	3				
5	1903111155	· · O-RING	1				
6	1903111156	· · O-RING	1				
7	1903111157	· · RING, back-up	2				
8	1903111158	· · RING, back-up	1				
9	1903111143	· BOLT	4				
10	1903111144	· PLATE, spacer	1				
11	1903111145	· GEROLLER	1				
12	1903111146	· PLATE, valve	1				
13	1903111147	· VALVE	1				
14	1903111148	· PLATE	1				
15	1903103634	· PIN	2				
16	1903103632	· SPRING	2				
17	1903111151	· DRIVE	1				
18	1903111152	· SPACER	1				
19	1912902100	· REDUCTION	1				
20	1912902199	· · KIT, seal	1				
21	1912902119	· · · X-RING	1				
22	1912902120	· · · RING, back-up	1				
23	1912902122	· · · O-RING	1				
24	1912902123	· · · O-RING	1				
25	1912902106	· · PLATE, seal	1				
26	1912902108	· · SEAL, floating	1				
27	1901806600	· COVER ASSY	1				
28	1901806699	· · KIT, seal	1				
29	1901806630	· · · O-RING	2				
30	1420310906	· · · O-RING	2				
31	1420310903	· · · O-RING	2				
32	1901806640	· · · O-RING	2				
33	1901806641	· · · O-RING	1				
34	1901806642	· · PLUG	2				
35	1901806662	· · PLUG	1				

B456a2L

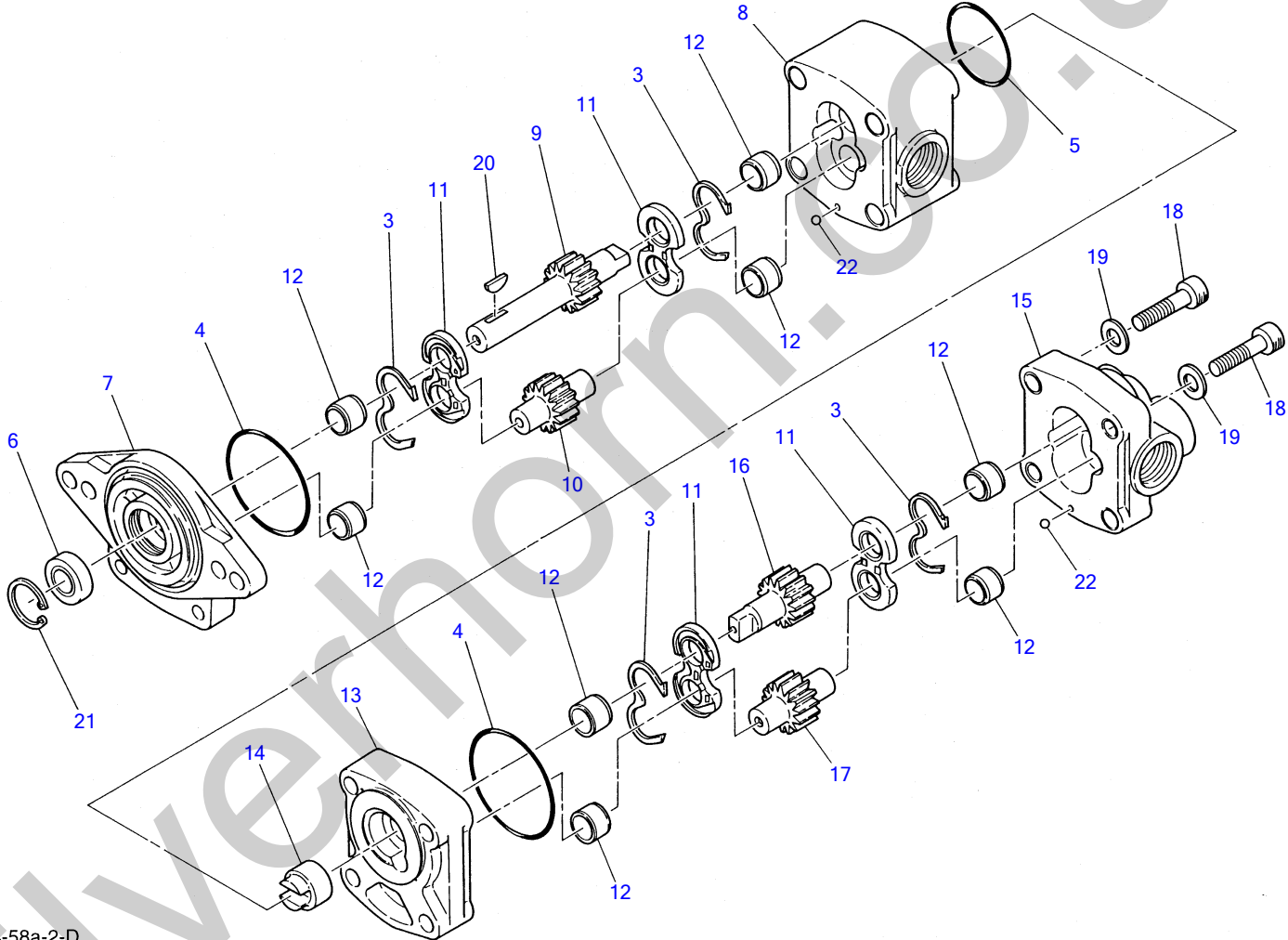


B4-57a-0-D

SLEW MOTOR

Item	Part number	Description	Q'ty	Chan.	Serial No.	Serv.	Remarks
1	1903111400	MOTOR ASSY	1				
2	1903900400	· MOTOR	1				
3	1903900499	· · KIT, seal	1				
4	1420310041	· · · O-RING	3				
5	1420310038	· · · O-RING	1				
6	1432900016	· · · SEAL, inner	1				
7	1432900015	· · · SEAL, outer	1				
8	1420310011	· · · O-RING	3				
9	1420310903	· · · O-RING	2				
10	1420010110	· · · O-RING	1				
11	1903103628	· · PLATE, valve	1				
12	1903103630	· · VALVE	1				
13	1903103631	· · PLATE	1				
14	1903103632	· · SPRING	2				
15	1903103634	· · PIN	2				
16	1903009221	· · DRIVE	1				
17	1903900323	· · GEROLLER	1				
18	1903102624	· · DRIVE, valve	1				
19	1390020400	· · BALL, steel	2				
20	1903103641	· · PLUG	2				
21	1903009228	· · HOUSING	1				
22	1903103644	· · PLUG	1				
23	1903009235	· · BOLT	4				
24	1903009223	· · PLATE, wear	1				
25	1903900437	· · RING	1				
26	1912900300	· GEAR ASSY, pinion	1				
27	1912900399	· · KIT, seal	1				
28	1912900305	· · · O-RING	1				
29	1912900310	· · · X-RING	1				
30	1912900311	· · · RING, back-up	1				
31	1420500800	· · · O-RING	1				
32	1420310041	· · · O-RING	3				
33	1432900017	· · · SEAL	1				
34	1912900301	· · HOUSING	1				
35	1912900302	· · GEAR ASSY, pinion	1				
36	1912900303	· · GEAR, pinion	1				
37	1912900304	· · COLLAR	1				
38	1912900306	· · BEARING	1				
39	1300006207	· · BEARING	1				
40	1912900308	· · RETAINER	1				
41	1110050616	· · SCREW, cap	8				
42	1901804900	· VALVE ASSY, cushion	1				
43	1901804899	· · KIT, seal	1				
44	1420010080	· · · O-RING	2				
45	1420010160	· · · O-RING	2				
46	1420010180	· · · O-RING	2				
47	1420010200	· · · O-RING	4				
48	1501810001	· PLUG	1				
	B457a2L						

TB007 Book No. PB4-101Z6 S/N1073001-1074744
HYDRAULIC PUMP

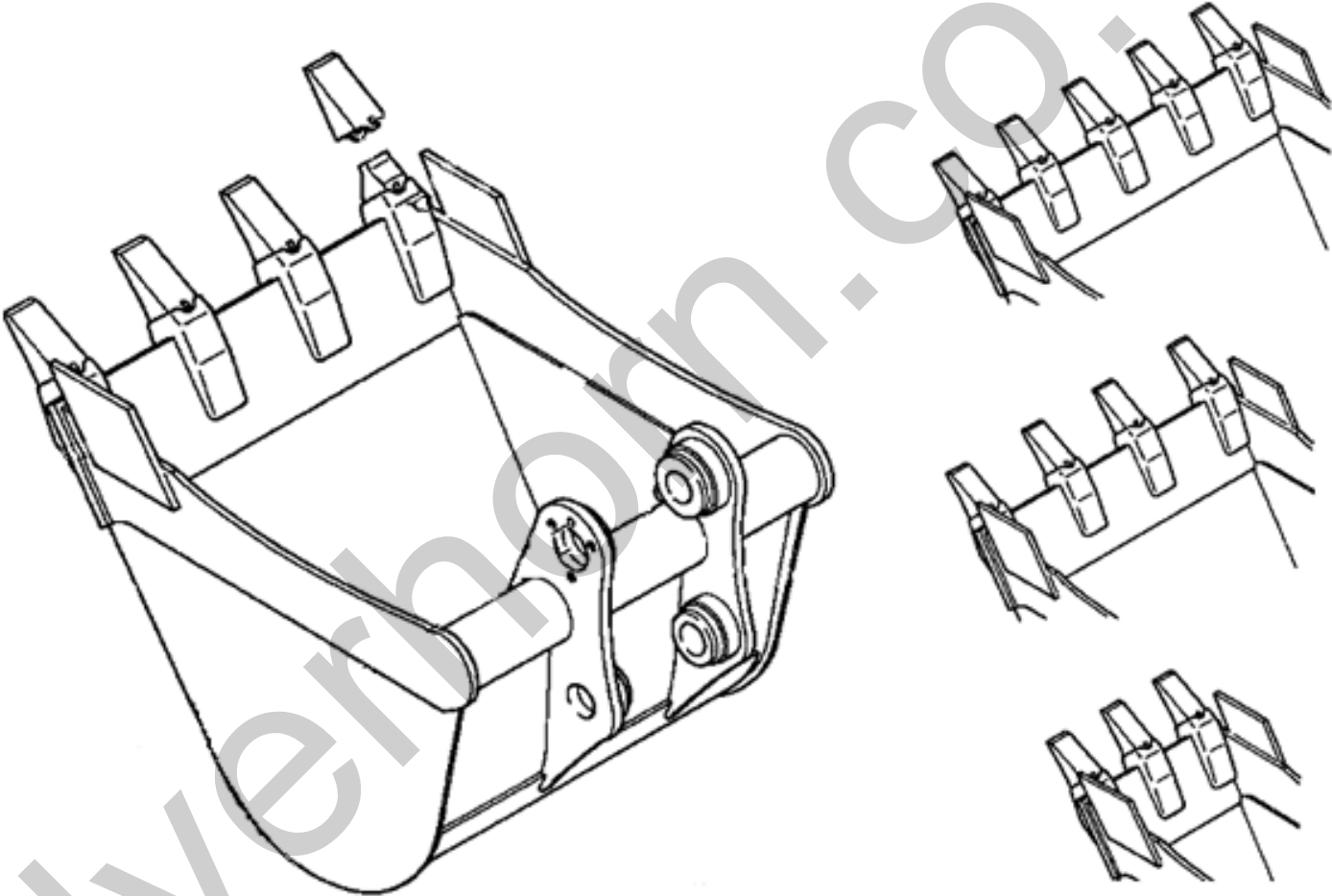


B4-58a-2-D

HYDRAULIC PUMP

Item	Part number	Description	Q'ty	Chan.	Serial No.	Serv.	Remarks
1	1902012400	PUMP ASSY	1				
2	1902012499	• KIT, seal	1				
3	1902008706	• • PACKING	4				
4	1420500500	• • O-RING	2				
5	1420500390	• • O-RING	1				
6	1902012450	• • SEAL, oil	1				
7	1902012401	• COVER, front	1				
8	1902012402	• BODY	1				
9	1902012403	• GEAR	1				
10	1902012404	• GEAR	1				
11	1902012405	• PLATE	4				
12	1902012407	• BUSHING	8				
13	1902012411	• COVER, front	1				
14	1902012412	• COUPLING	1				
15	1902012421	• BODY	1				
16	1902012422	• GEAR	1				
17	1902012404	• GEAR	1				
18	1110100800	• SCREW, cap	4				
19	1141540008	• WASHER	4				
20	1203040313	• KEY	1				
21	1221000022	• RING, snap	1				
22	1390010300	• BALL, steel	4				
	B458a4L						

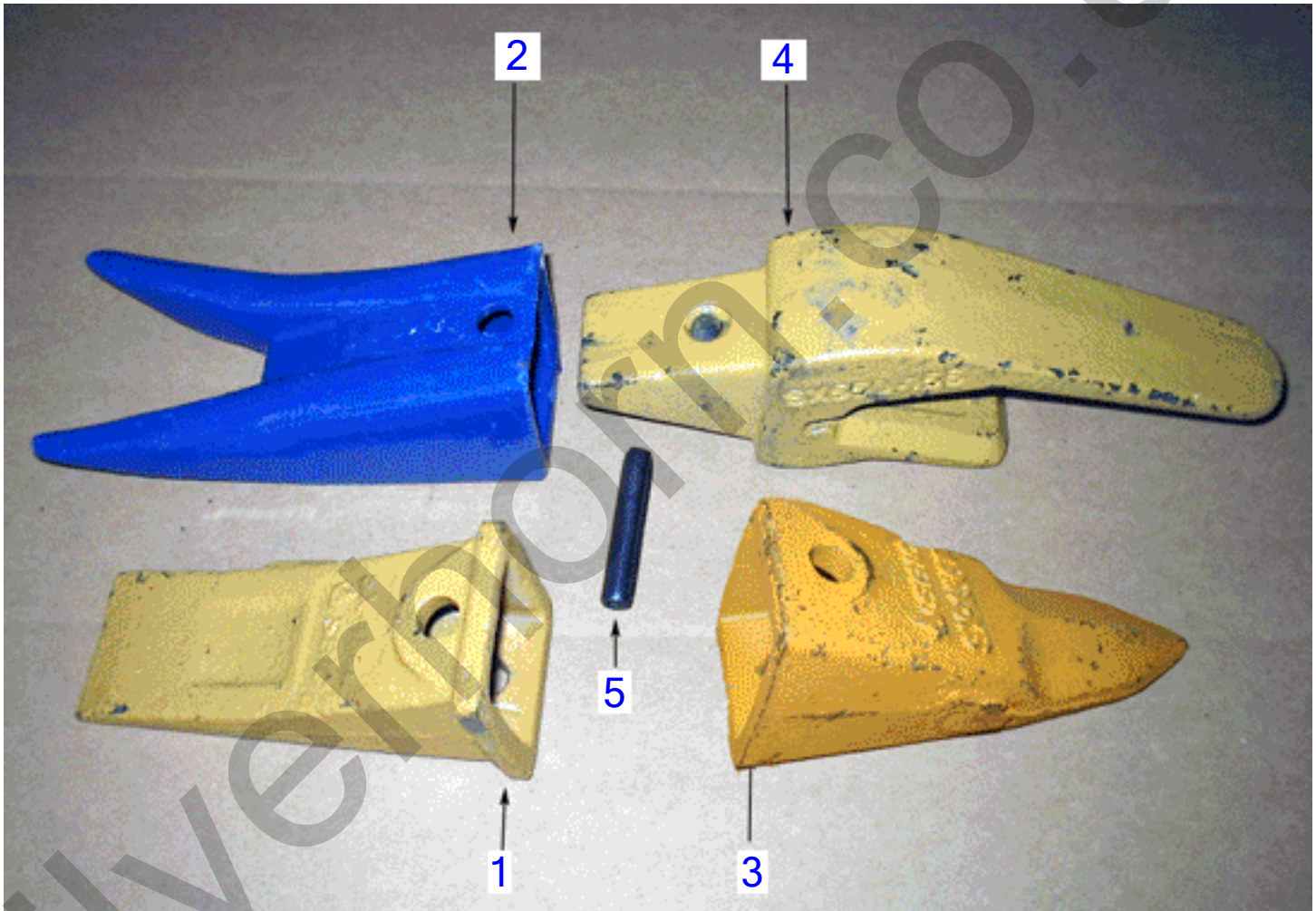
Silverhorn.CO.UK



TB007 Pin-on Buckets

Item	Part number	Description	Q'ty	Chan.	Serial No.	Serv.	Remarks
		TB007 Pin-on Buckets					
	BTB00708	8" Pin-on Bucket TB007/TB108	1				
	BTB00710	10" Pin-on Bucket TB007/TB108 (special order)	1				
	BTB00712	12" Pin-on Bucket TB007/TB108	1				
	BTB00716	16" Pin-on Bucket TB007/TB108 (special order)	1				
	BTB00718	18" Pin-on Bucket TB007/TB108 (special order)	1				

Silverhorn.CO.UK



Bucket Teeth New

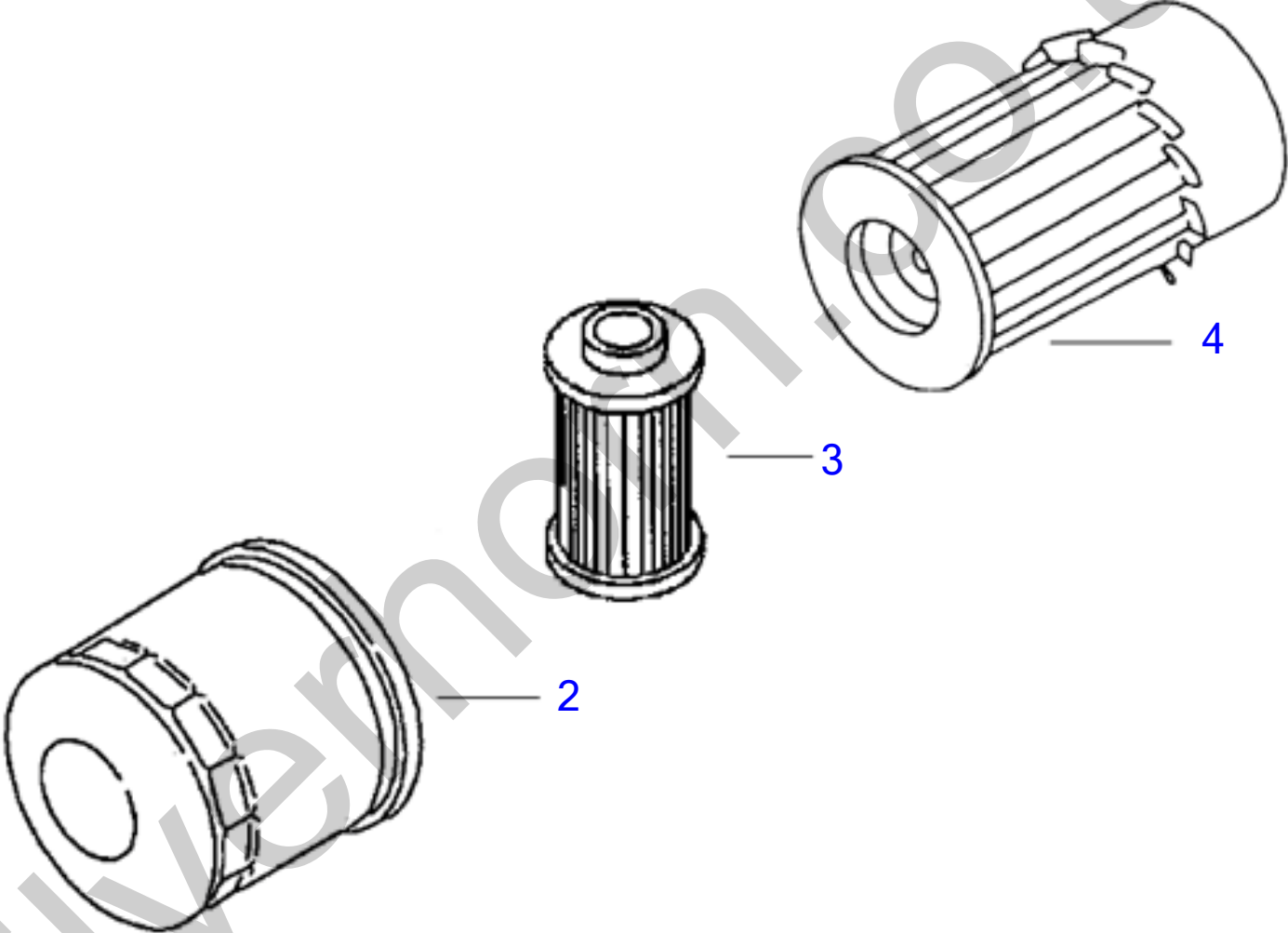
Item	Part number	Description	Q'ty	Chan.	Serial No.	Serv.	Remarks
		Bucket Teeth New					
1	1914210182	Tooth	1				
2	1914299142	Double Tiger	1				
3	1914299942	Simple Tiger (C&P) Tooth	1				
4	19142181-1	Adapter Shank 550 X 156 New Style	1				
	1914210181	Adaptor 230 X 156 Old Style	1				
5	1914210183	Pin - Metal	1				

Silverhorn.CO.UK



Item	Part number	Description	Bucket Teeth Old			
			Q'ty	Chan.	Serial No.	Serv. Remarks
		Bucket Teeth Old				
1	1914201202	Tooth TB007/TB015	1			
2	1914291202	Rock Tooth V13	1			
3	1914201201	Adaptor	1			
4	1914201203	Lock	1			

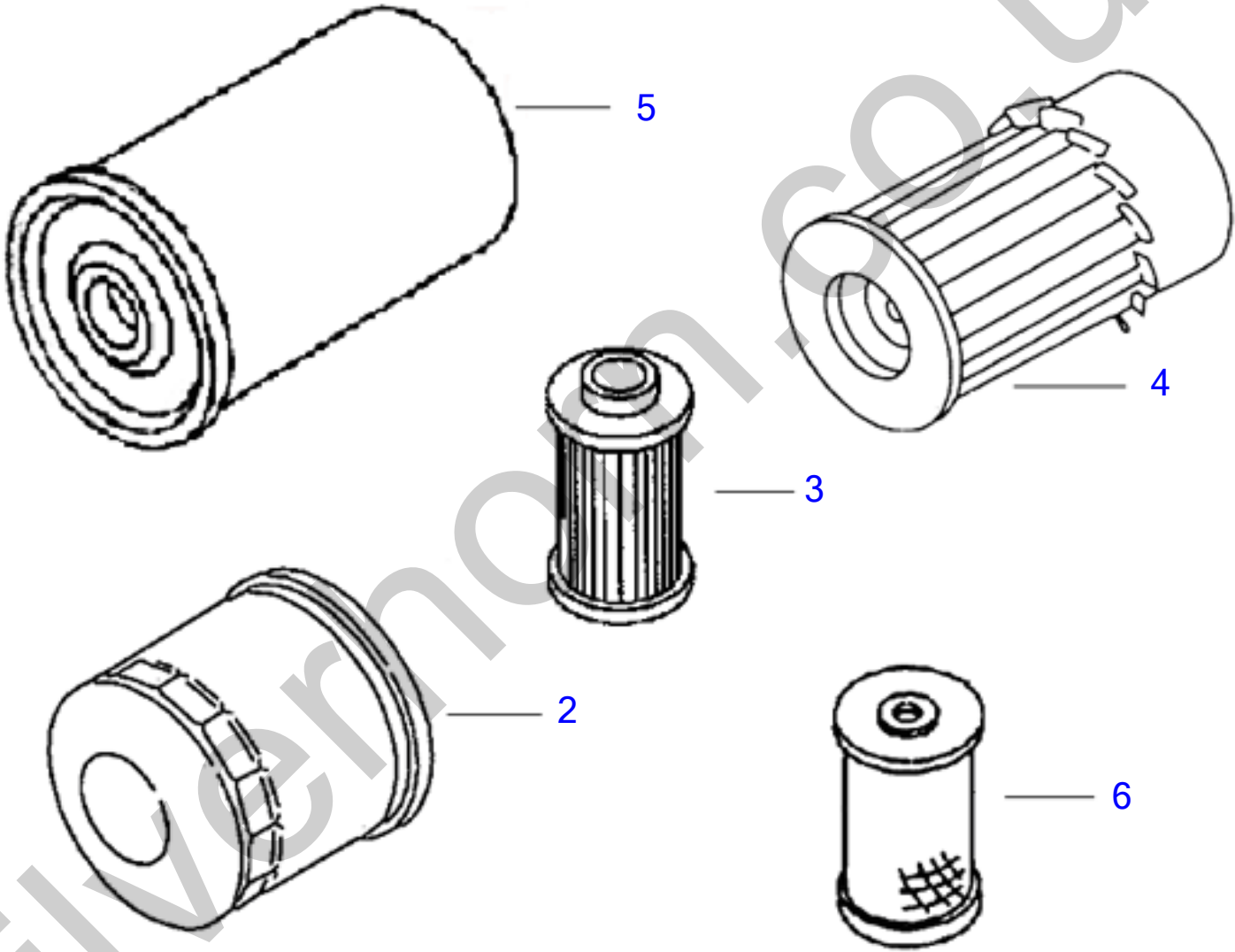
Silverhorn.CO.UK



250 Hour Filter Kit

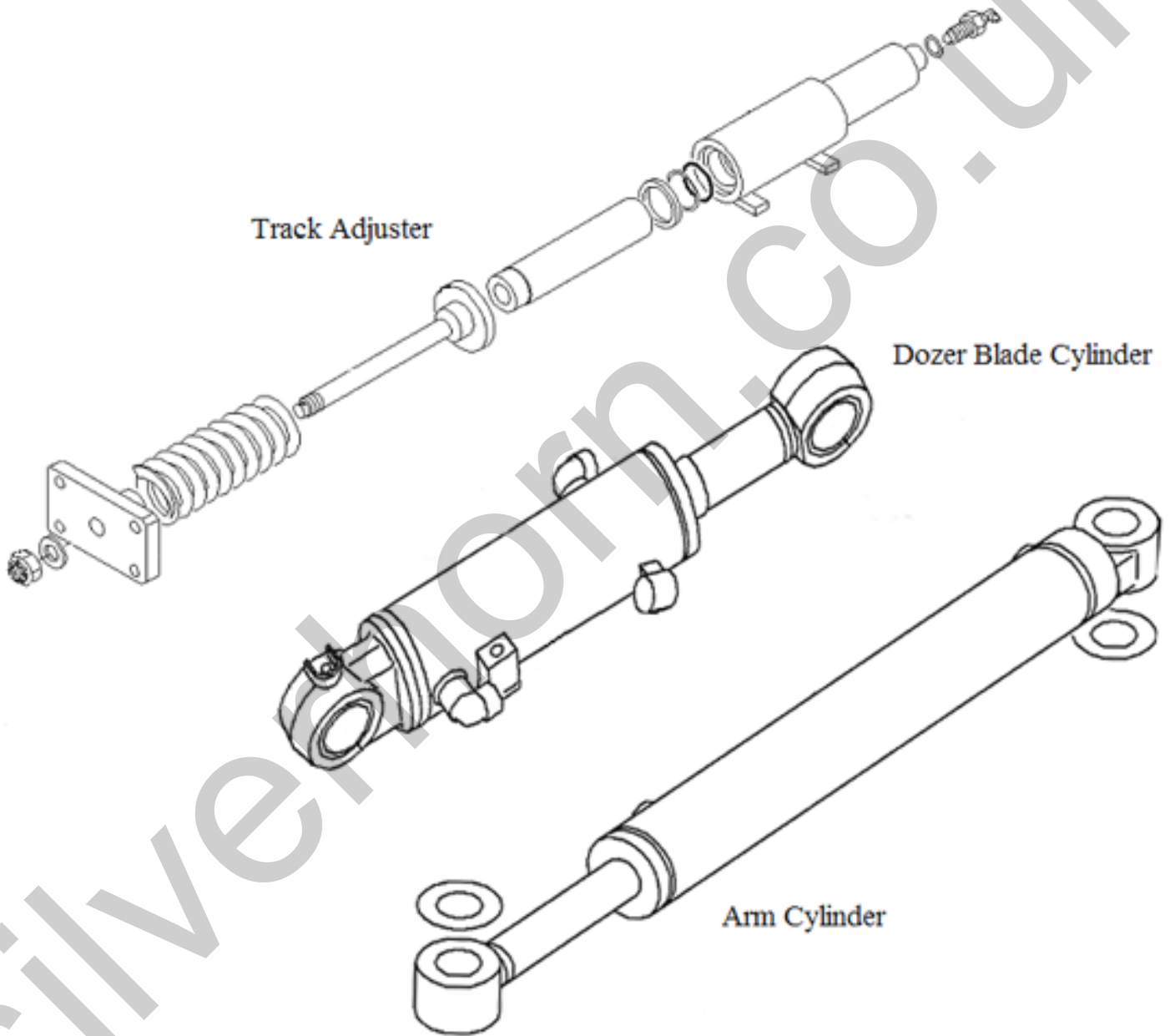
Item	Part number	Description	Q'ty	Chan.	Serial No.	Serv.	Remarks
	1909900700	Filter Kit TB007/TB015 (250 Hour)	1				
2	Y119305-35150	* Engine Oil Filter	1				
3	Y124550-55700	* Fuel Filter	1				
4	Y124066-12510	* Air Filter	1				

Silverhorn.CO.UK



Annual Filter Kit					
Item	Part number	Description	Q'ty	Chan.	Serial No. Serv. Remarks
	1909900710	Annual Filter Kit TB07/TB015	1		
2	Y119305-35150	* Engine Oil Filter	1		
3	Y124550-55700	* Fule Filter	1		
4	y124066-12510	* Air Filter	1		
5	1551035110	* Hydraulic Filter	1		
6	Y171081-55910	* Screen (Check S/N for Applciation)TNE	1		

Silverhorn.CO.UK



		Seal Kits						
Item	Part number	Description		Q'ty	Chan.	Serial No.	Serv.	Remarks
		Seal Kits						
	1900056999	Seal Kit (bm) Multit Use - Swing Cylinder		1				
	1900056999	Seal Kit (bm) Multi Use - Blade Cylinder		1				
	1900056999	Seal Kit (bm) Multi Use - Bucket Cylinder		1				
	1900056999	Seal Kit (bm) Multi Use - Arm Cylinder		1				
	1900056999	Seal Kit (bm) Multi Use - Boom Cylinder		1				
	1900056999	Seal Kit (bm) Multit Use - Track Adjuster		1				

Silverhorn.CO.UK

All TB007 Manuals

Item	Part number	Description	Q'ty	Chan.	Serial No.	Serv.	Remarks
		TB007 Manuals					
	L000700001	Operators Manual TB007 OB4-108E0	1				
	L000700003	Parts Manual TB007 B4-101Z6	1				
	L000700004	Service Manual TB007 WB4-101E2	1				

Silverhorn.CO.UK

Silverhorn.CO.UK

目次
INDEX

(001) エンジン部 ENGINE

名称 Description	Fig No.
シリンダブロック CYLINDER BLOCK	Fig. 1
ギヤケース GEAR HOUSING	Fig. 2
フライホイールハウジング&オイルパン FLYWHEEL HOUSING & OIL SUMP	Fig. 3
シリンダヘッド&ベンワンシツ CYLINDER HEAD & BONNET	Fig. 4
キュウキマニホールド&エアクリーナ SUCTION MANIFOLD & AIR CLEANER	Fig. 5
ハイキマニホールド&サイレンサ EXHAUST MANIFOLD & SILENCER	Fig. 6
カムシャフト&クドウギヤ CAMSHAFT & DRIVING GEAR	Fig. 7
クランクシャフト&ピストン CRANKSHAFT & PISTON	Fig. 8
LOシステム LUB. OIL SYSTEM	Fig. 9
CWシステム COOLING WATER SYSTEM	Fig. 10
FOフンシャポンプ FUEL INJECTION PUMP	Fig. 11
FOパイプ FUEL LINE	Fig. 12
ガバナ GOVERNOR	Fig. 13
スターティングモータ STARTING MOTOR	Fig. 14
ジェネレータ GENERATOR	Fig. 15
デンソウヒン ELECTRIC PART	Fig. 16
パッキンセット (オプション) & コウグ GASKET SET (OPTIONAL) & TOOL	Fig. 17

INDEX

Item	Part number	Description	Q'ty	Chan.	Serial No.	Serv.	Remarks
1		CYLINDER BLOCK					
2		GEAR HOUSING					
3		FLYWHEEL HOUSING & OIL SUMP					
4		CYLINDER HEAD & BONNET					
5		SUCTION MANIFOLD & AIR CLEANER					
6		EXHAUST MANIFOLD & SILENCER					
7		CAMSHAFT & DRIVING GEAR					
8		CRANKSHAFT & PISTON					
9		LUB. OIL SYSTEM					
10		COOLING WATER SYSTEM					
11		FUEL INJECTION PUMP					
12		FUEL LINE					
13		GOVERNOR					
14		STARTING MOTOR					
15		GENERATOR					
16		ELECTRIC PART					
17		GASKET SET (OPTIONAL) & TOOL 2TN66L-UTBA S/N 1073001-1074339					

Silverhorn.CO.UK

Fig. 1 シリンダブロック
CYLINDER BLOCK

SPEC. CODE
D19305-01100
D19305-02100
D19260-02210
D19640-49300

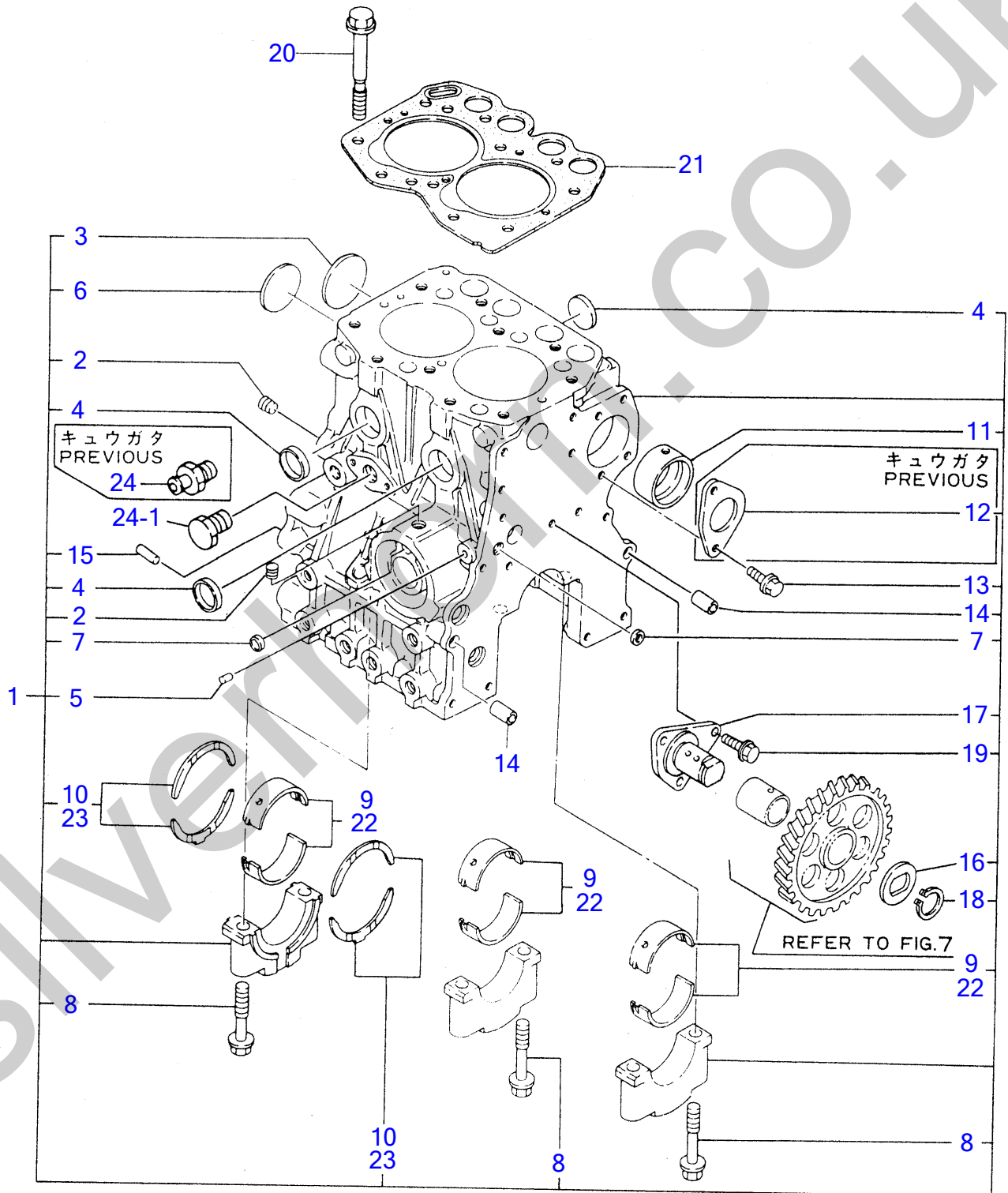


FIG 1 CYLINDER BLOCK

Item	Part number	Description	Q'ty	Chan.	Serial No.	Serv.	Remarks
1	Y719385-01560	BLOCK ASSY, CYLINDER	1				
2	Y124060-01050	PLUG, PT1/8	2				
3	Y105311-01090	PLUG 30 (SUS)	1				
3-1	Y27241-300000	PLUG 30	1				
4	Y119285-01990	PLUG 25	3				
5	Y27221-060100	PLUG 6X10	1				
6	Y27231-400000	PLUG 40	1				
7	Y27241-100000	PLUG 10	2				
8	Y119260-02020	BOLT	6				
9	Y119260-02800	MAIN BEARING	3				
10	Y119260-02930	THRUST BEARING	2				
11	Y119260-02410	BUSH, CAMSHAFT	1				
12	Y119620-02450	BEARING, THRUST	1				
13	Y26106-060122	BOLT M 6X 12 PLATED	2				
14	Y119660-01911	PIPE, KNOCK	4				
15	Y129100-01580	PARALLEL PIN 8X16	2				
16	Y119660-25022	RETAINER, IDLE GEAR	1				
17	Y119660-25052	SHAFT, IDLE GEAR	1				
18	Y22242-00020	CIRCLIP 20	1				
19	Y26102-060122	BOLT, TO26106-060122	3				
19-1	Y26106-060122	BOLT M 6X 12 PLATED	3				
20	Y119260-01200	BOLT, CYL.HEAD	10				
21	Y119305-01340	GASKET, CYL. HEAD	1				
22	Y719260-02870	MAIN BEARING US=0.25	3				
23	Y119260-02880	MAIN BEARING US=0.50	3				
24	Y121551-49111	JOINT PT1/4	1				
24-1	Y171056-49120	PLUG, DRAIN	1				

SPEC. CODE
 D19305-01200
 D19600-01320
 D19600-01800

Fig. 2 ギヤケース
 GEAR HOUSING

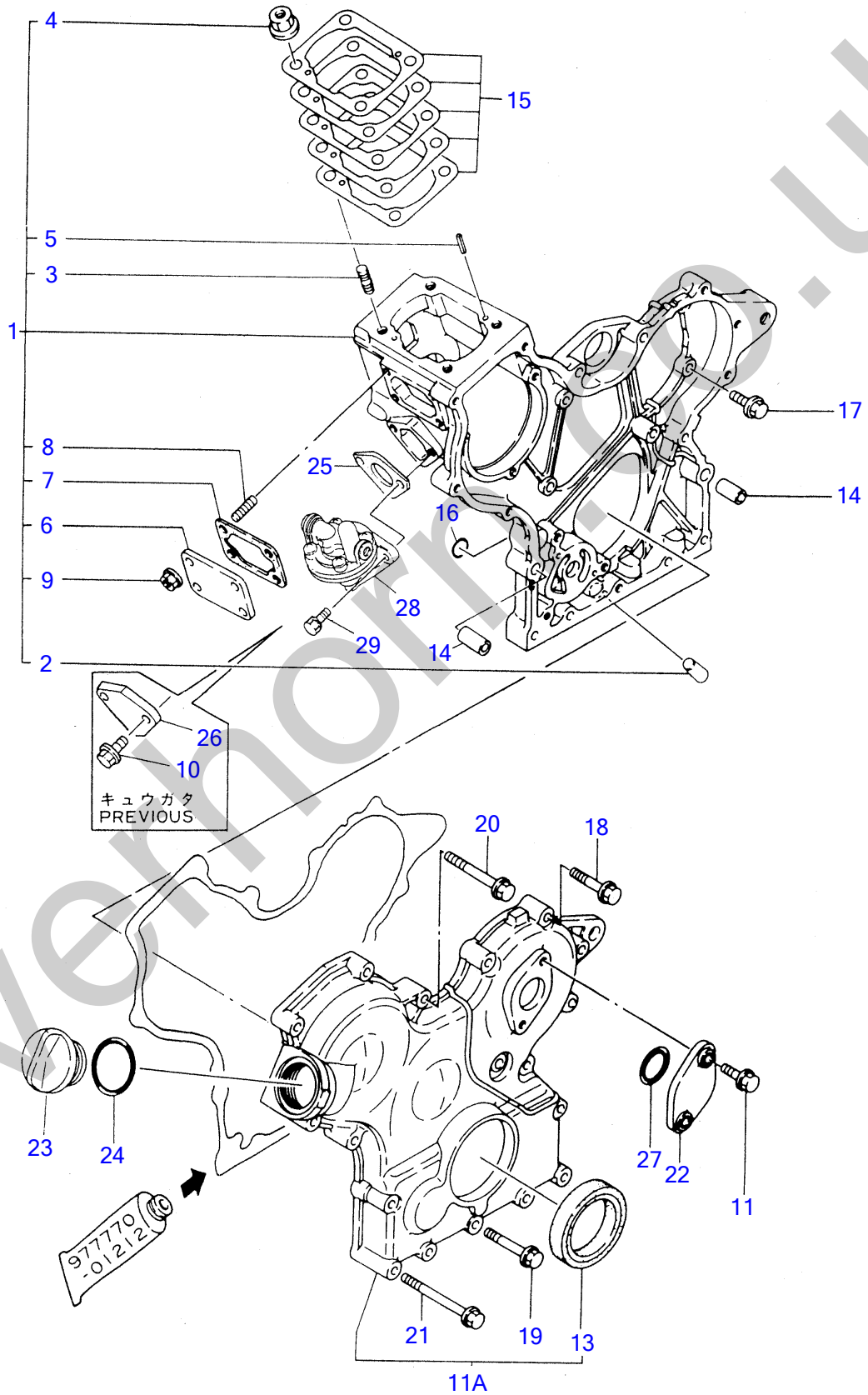


FIG 2 GEAR HOUSING

Item	Part number	Description	Q'ty	Chan.	Serial No.	Serv.	Remarks
1	Y719305-01600	HOUSING ASSY, GEAR	1				
2	Y119260-01510	PLUG	1				
3	Y121450-01560	STUD M 8X 22	4				
4	Y194990-22050	NUT W/WASHER 8	4				
5	Y22351-040010	SPRING PIN 4X10	2				
6	Y119660-01551	COVER	1				
7	Y119660-01561	GASKET, PUMP COVER	1				
7-1	Y119660-01562	GASKET, (NON-ASB.)	1				
8	Y119660-01570	STUD M6X12	4				
9	Y26366-060002	NUT M 6	4				
10	Y26106-060162	BOLT M 6X 16 PLATED	2				
11	Y26106-060182	BOLT M 6X 18 PLATED	2				
11A	Y119260-01590	COVER ASSY, GEAR CASE	1				
13	Y119620-01800	SEAL HTC456208, OIL	1				
14	Y119660-01911	PIPE, KNOCK	4				
15	Y119305-01950	SHIM PACK	1				
16	Y24311-000120	O-RING 1A P 12.0	2				
17	Y26106-060162	BOLT M 6X 16 PLATED	5				
18	Y26106-060302	BOLT M 6X 30 PLATED	5				
19	Y26106-060402	BOLT M 6X 40 PLATED	3				
20	Y26106-060502	BOLT M 6X 50 PLATED	4				
21	Y26106-060652	BOLT M 6X 65 PLATED	6				
22	Y121023-01550	COVER, BLIND	1				
23	Y124160-01751	CAP, LUB.OIL SUPPLY	1				
24	Y24311-000320	O-RING 1A P-32.0	1				
24-1	Y121420-01760	O-RING	1				
24-2	Y24311-000320	O-RING A1 P-32.0	1				
25	Y121520-01850	GASKET, F.FEED PUMP	1				
25-1	Y121520-01851	GASKET, (NON0ASB.)	1				
26	Y121520-01860	COVER, BLIND	1				
27	Y24341-000260	O-RING 1A S-26.0	1				
27-1	Y24341-000240	O-RING 1A S-24.0	1				
28	Y119600-52021	PUMP ASSY, FUEL FEED	1				
29	Y26014-060202	BOLT M 6X 20	2				

SPEC. CODE
D19260-01400
D19600-01500
D19332-01700

Fig. **3** フライホイールハウジング & オイルパン
FLYWHEEL HOUSING & LUB. OIL SUMP

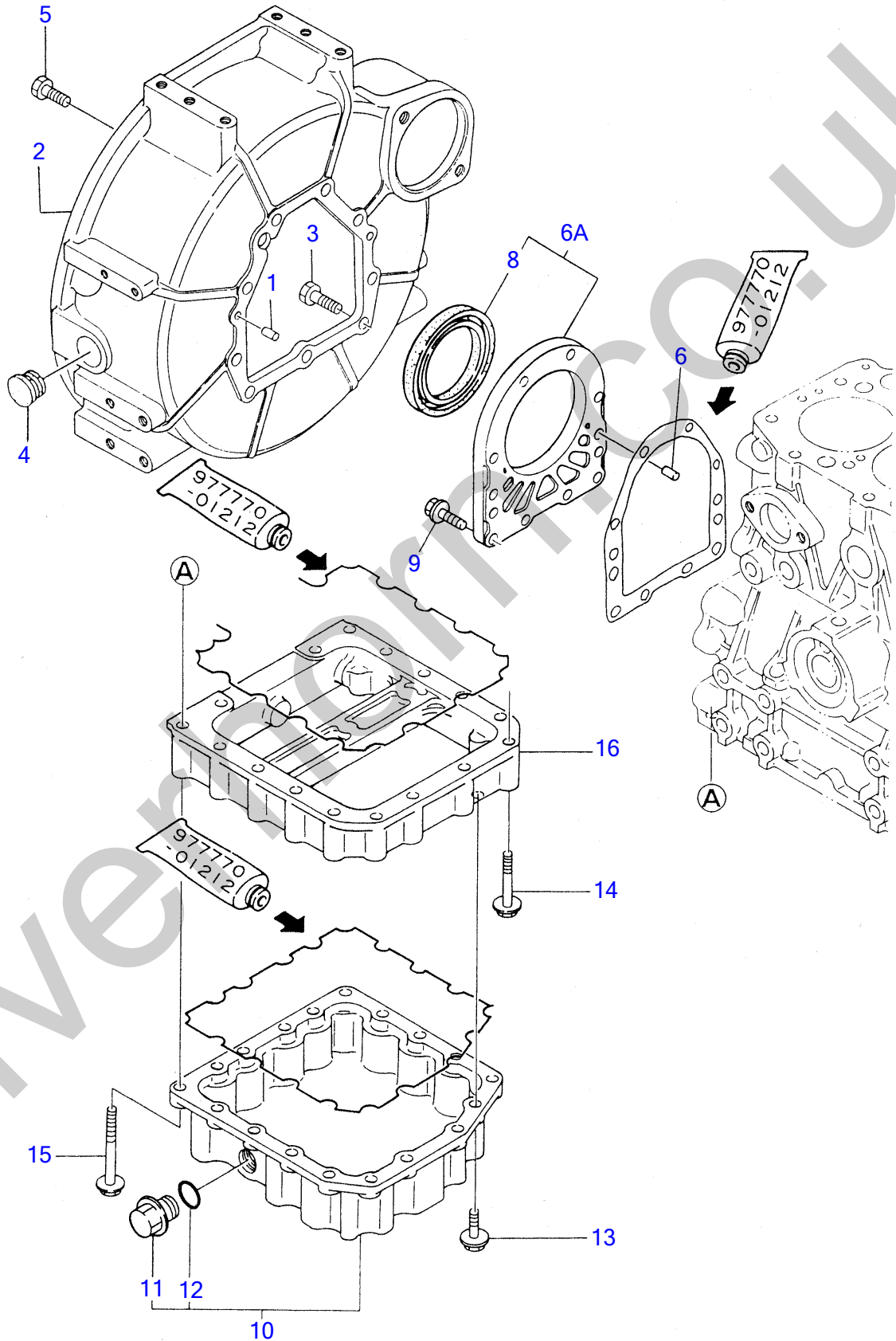


FIG 3 FLYWHEEL HOUSING & LUB. OIL SUMP

Item	Part number	Description	Q'ty	Chan.	Serial No.	Serv.	Remarks
1	Y129100-01580	PARALLEL PIN 8X16	2				
2	Y119260-01600	HOUSING, FLYWHEEL	1				
3	Y121120-01620	BOLT M 10X 28	3				
4	Y119620-01750	CAP, FLYWHEEL COVER	1				
5	Y26206-100252	BOLT M10X25	6				
6	Y119620-01620	PARALLEL PIN 6X10	2				
6A	Y119660-01640	CASE ASSY, OIL SEAL	1				
8	Y124085-02220	SEAL, OIL	1				
9	Y26106-060222	BOLT M 6X 22 PLATED	10				
10	Y719332-01750	SUMP ASSY, LUB OIL	1				
10-1	Y119332-01770	SUMP ASSY, LUB.OIL	1				
11	Y121400-01640	PLUG M16	1				
12	Y24311-000180	O-RING 1A P-18.0	1				
13	Y26106-060202	BOLT M 6X 20 PLATED	3				
13-1	Y26106-060102	BOLT M 6X 10 PLATED	3				
14	Y26106-060452	BOLT M 6X 45 PLATED	1				
14-1	Y26106-060452	BOLT M 6X 45 PLATED	16				
15	Y26106-060552	BOLY M 6X 55 PLATED	15				
16	Y119305-01760	SPACER, SUMP	1				

Silverhorn.CO.UK

SPEC. CODE
 D19305-03110
 D19332-07000
 D19385-11100
 D19305-11200
 D19305-11310

Fig. 4 シリンダヘッド & ベンワンシツ
 CYLINDER HEAD & BONNET

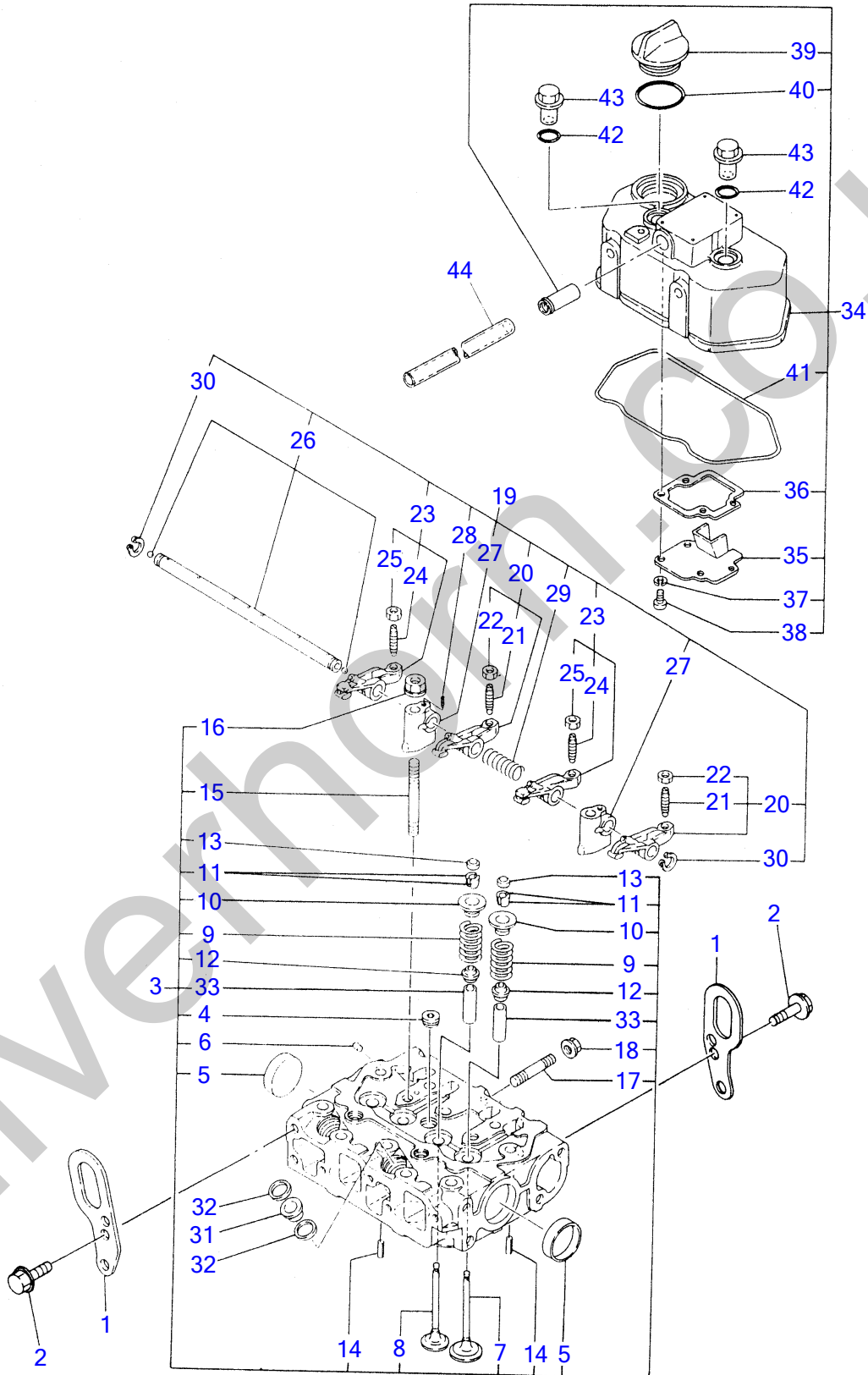


FIG 4 CYLINDER HEAD & BONNET

Item	Part number	Description	Q'ty	Chan.	Serial No.	Serv.	Remarks
1	Y119260-07900	LIFTER, ENGINE	2				
2	Y26106-080142	BOLT M 8X 14 PLATED	3				
3	Y719385-11700	HEAD ASSY, CYLINDER	1				
4	Y121850-11860	PLUG PT1/4	1				
4-1	Y23871-020000	PLUG PT1/4, SCREW	1				
5	Y119285-11990	PLUG 35	2				
6	Y27221-050080	PLUG 5X 8	1				
7	Y119260-11100	VALVE, SUCTION	2				
8	Y119260-11110	VALVE, EXHAUST	2				
9	Y11420-11120	SPRING, VALVE	4				
10	Y11420-11180	RETAINER, SPRING	4				
11	Y114250-11190	COTTER	8				
12	Y119260-11340	SEAL, VALVE STEM	4				
13	Y119260-11370	CAP, VALVE	4				
14	Y22351-060012	SPRING PING 6X12	2				
15	Y119620-11350	STUD	2				
16	Y26366-080002	NUT M 8	2				
17	Y26216-060402	STUD M 6X 40 PLATED	2				
18	Y26366-060002	NUT M 6	2				
19	Y119305-11200	SUPPORT ASSY, ARM	1				
20	Y719260-11650	ARM ASSY, ROCKER	2				
21	Y105010-11230	SCREW, VALVE	2				
22	Y26756-060002	LOCK NUT M 6 PLATED	2				
23	Y719260-11660	ARM ASSY, ROCKER	2				
24	Y105010-11230	SCREW ,VALVE	2				
25	Y26756-060002	LOCK NUT M 6 PLATED	2				
26	Y119305-11240	SHAFT ASSY, ARM	1				
27	Y119260-11260	SUPOORT, ROCKER ARM	2				
28	Y119260-11270	SCREW	1				
29	Y119260-11280	SPRING	1				
30	Y22242-000100	CIRCLIP 10	2				
31	Y119600-11450	PROTECTOR, NOZZLE	2				
32	Y119600-11460	GASKET, NOZZLE	4				
33	Y119260-11800	GUIDE, VALVE	2				
34	Y719385-11520	BONNET ASSY	1				
34-1	Y119305-11350	BONNET ASSY	1				
35	Y119305-03020	PLATE	1				
36	Y119305-03030	GASKET, PLATE	1				
36-1	Y119305-03031	GASKET, PLATE	1				
37	Y22217-050000	SPRING WASHER 5	4				
38	Y26557-050102	SCREW M 5X 10	4				
39	Y124160-01751	CAP, LUB.OIL SUPPLY	1				
40	Y24311-000320	O-RING 1A P-32.0	1				
41	Y119305-11310	GASKET, BONNET	1				
42	Y24311-000120	OORING 1A P 12.0	2				
43	Y124160-11360	KNOB	2				
44	Y23065-120500	PIP, VINYL 12X 500	1				

Fig. 5 キュウキマニホールド & エアクリーナ
SUC. MANIFOLD & AIR CLEANER

SPEC. CODE
D19305-12210
D19332-93000

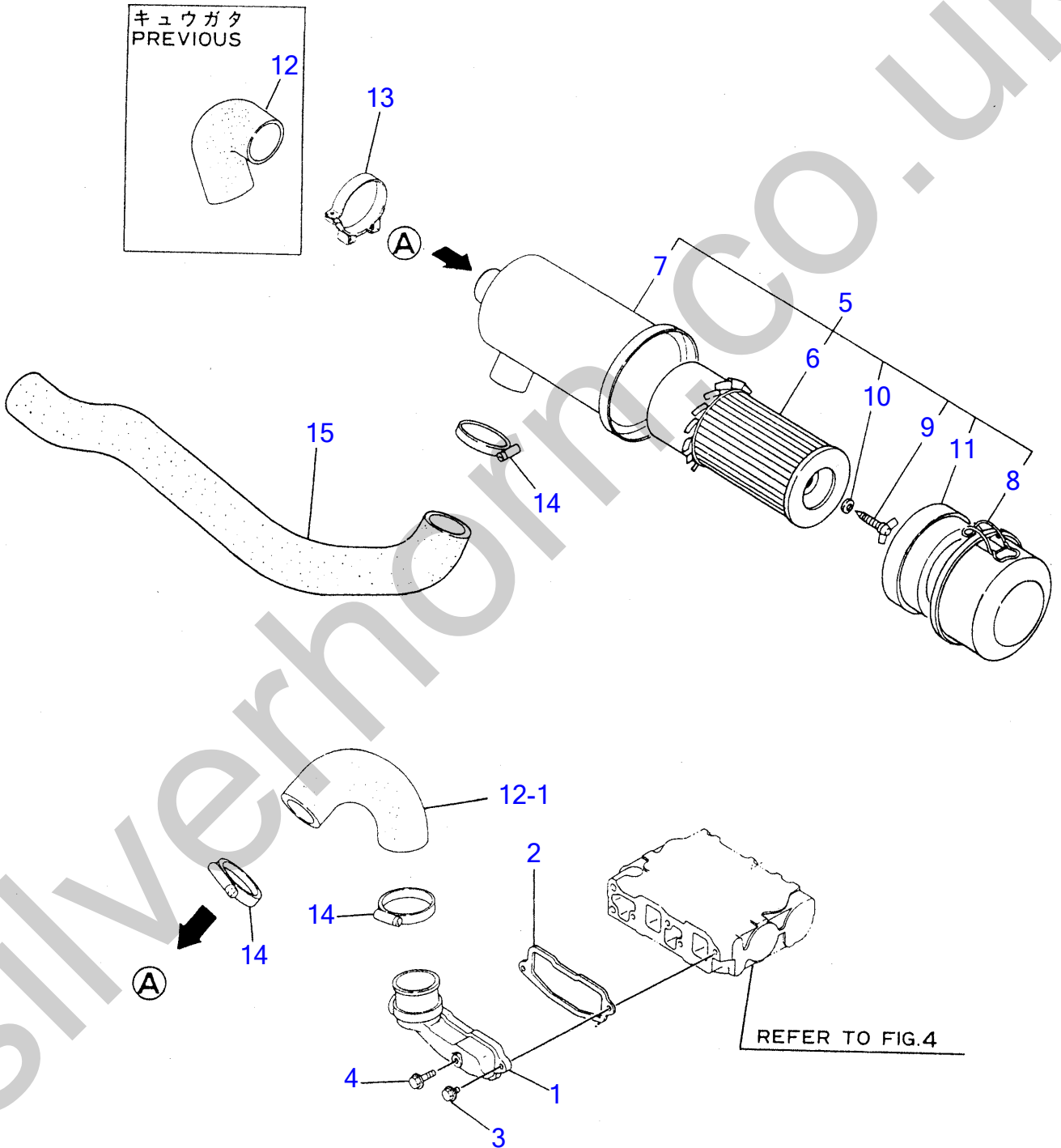


FIG 5 SUC. MANIFOLD & AIR CLEANER

Item	Part number	Description	Q'ty	Chan.	Serial No.	Serv.	Remarks
1	Y119305-12150	MANIFOLD, SUCTION	1				
2	Y119305-12160	GASKET, SUC.MANIFOLD	1				
3	Y26106-060162	BOLT M 6X 16 PLATED	2				
4	Y26106-060282	BOLT M 6X 28 PLATED	1				
5	Y171033-12500	CLEANER, AIR	1				
6	Y171033-12510	ELEMENT, AIR CLEANER	1				
7	Y171033-12540	CASE ASSY	1				
8	Y171033-12560	PAN ASSY, DUST	1				
9	Y124064-12680	BOLT, WING	1				
10	Y124064-12690	WASHER	1				
11	Y121465-12700	RETAINER	1				
12	Y119332-12550	PIPE, INLET	1				
12-1	Y119332-12210	PIPE (A), AIR INTAKE	1				
13	Y171126-12580	BAND	1				
14	Y23000-060000	CLAMP 60	2				
14-1	Y23000-060000	CLAMP 60	3				
15	Y119332-12220	PIPE, INLET EXTENSION	1				
15-1	Y119332-12221	PIPE, INLET EXTENSION	1				

Silverhorn.CO.UK

Fig. 6 ハイキマニホールド & サイレンサ
EXH. MANIFOLD & SILENCER

SPEC. CODE
D19305-13100TK
D19332-93000

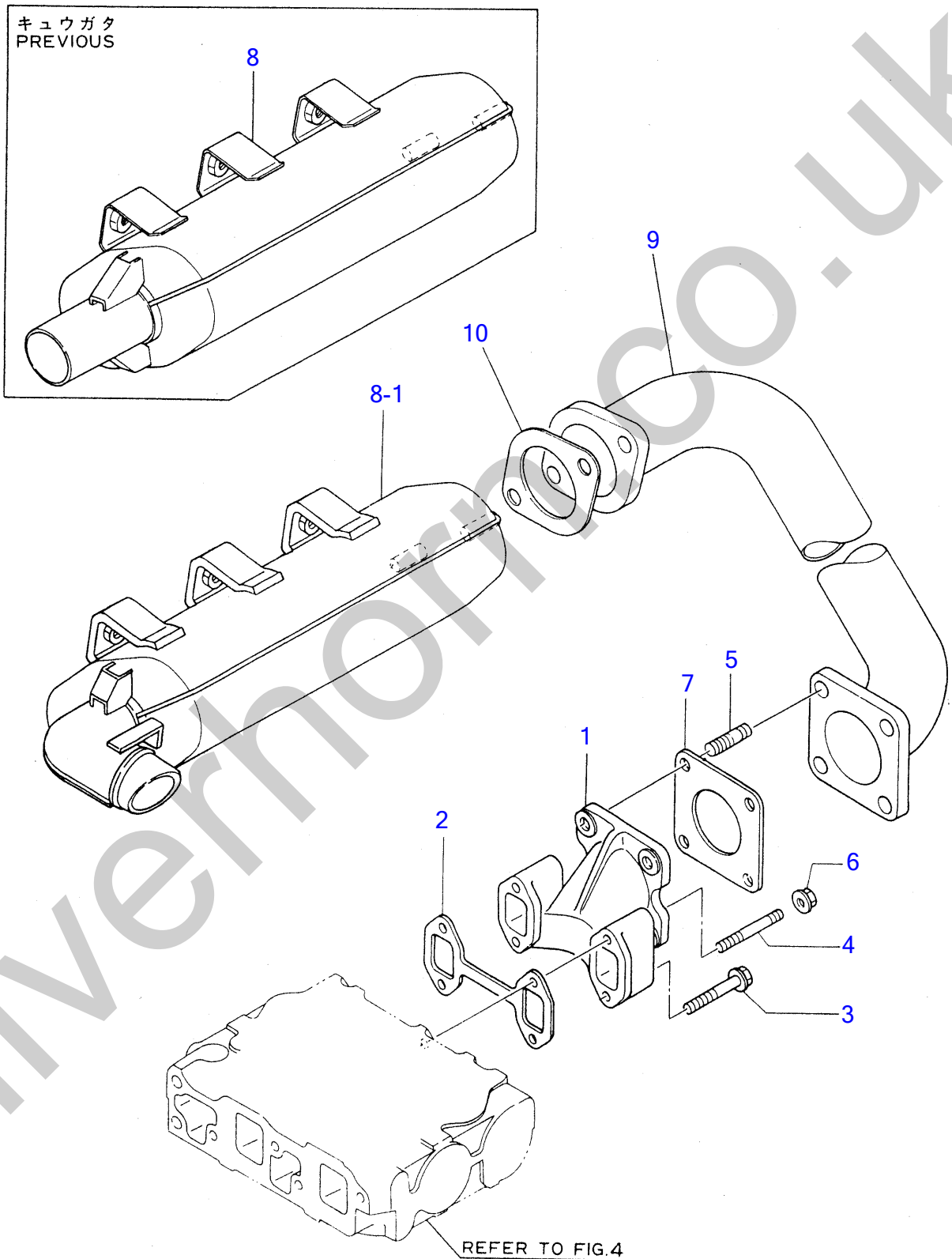


FIG 6 EXH. MANIFOLD & SILENCER

Item	Part number	Description	Q'ty	Chan.	Serial No.	Serv.	Remarks
1	Y119305-13100	MANIFOLD, EXHAUST	1				
2	Y119305-13110	GASKET, EXH.MANIFOLD	1				
3	Y26106-060402	BOLT M 6X 40 PLATED	2				
4	Y26216-060402	STUD M 6X 40 PLATED	2				
5	Y26216-080222	STUD M 8X 22 PLATED	4				
6	Y26366-060002	NUT M 6	2				
7	Y124701-11910	GASKET, SILENCER	1				
7-1	Y124701-11911	GASKET, (NON-ASB.)	1				
8	Y119332-13500	SILENCER	1				
8-1	Y119332-13501	SILENCER	1				
9	Y119332-13550	PIPE, EXHAUST	1				
9-1	Y119332-13551	PIPE, EXHAUST	1				
10	Y129107-13550	GASKET, NOZZLE	1				

Silverhorn.CO.UK

Fig. 7 カムシャフト & クドウギヤ
CAMSHAFT & DRIVING GEAR

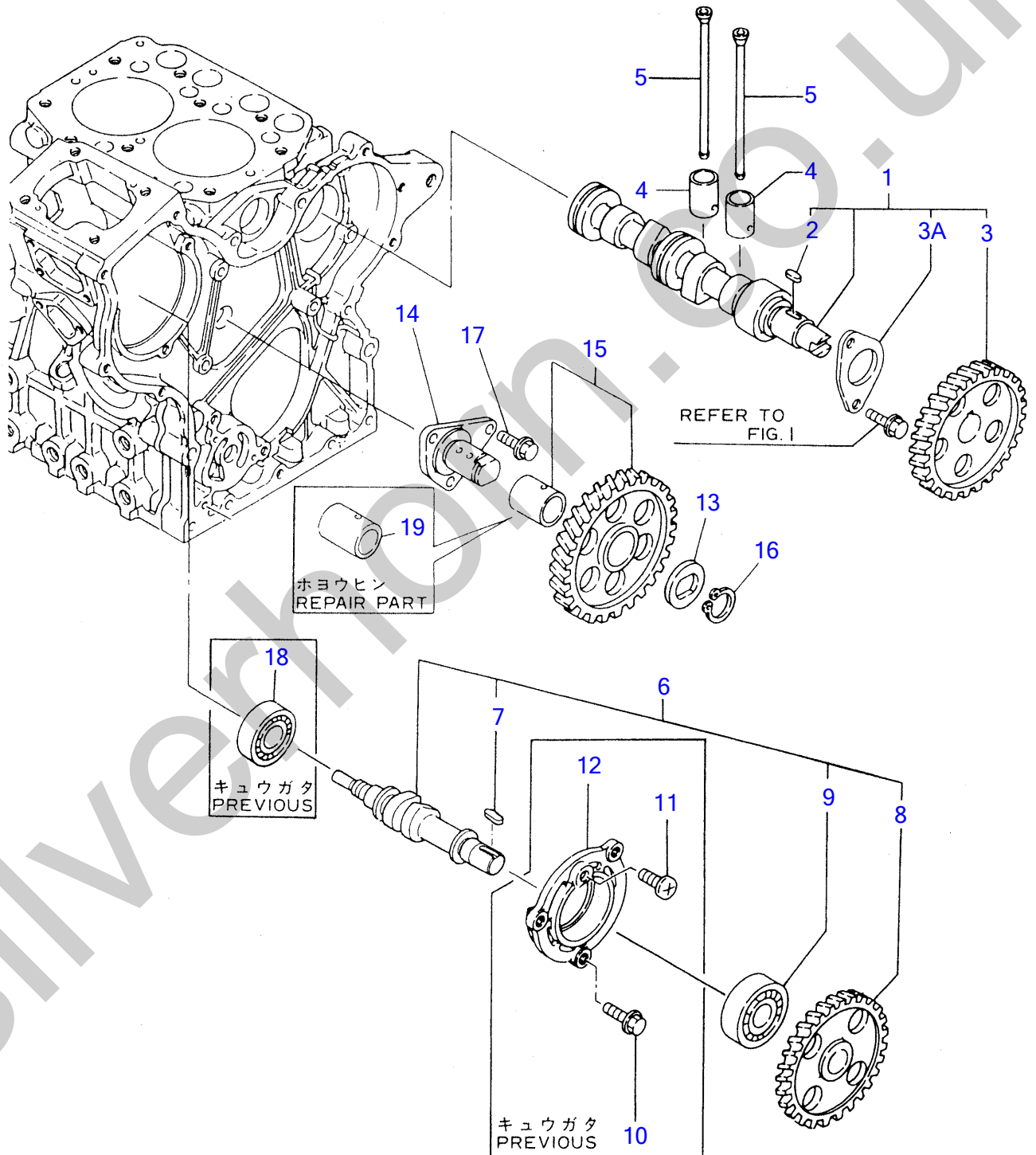


FIG 7 CAMSHAFT & DRIVING GEAR

Item	Part number	Description	Q'ty	Chan.	Serial No.	Serv.	Remarks
1	Y119305-14580	CAMSHAFT ASSY	1				
2	Y22512-040120	KEY 4X 12	1				
3	Y119260-14100	GEAR, CAMSHAFT	1				
3A	Y119620-02450	BEARING, THRUST	1				
4	Y119260-14200	TAPPET	4				
5	Y119260-14400	ROD, PUSH	4				
6	Y119305-14200	CAMSHAFT, FUEL	1				
7	Y22512-040120	KEY 4X 12	1				
8	Y119260-25900	GEAR, F.I. PUMP	1				
9	Y24102-063034	BALL BEARING 6303U	1				
10	Y26106-060162	BOLT M 6X 16 PLATED	3				
11	Y26587-080102	SCREW M 8X 10	1				
12	Y119660-01821	BEARING, FUEL CAM.	1				
13	Y119660-25022	RETAINER, IDLE GEAR	1				
14	Y119660-25052	SHAFT, IDLE GEAR	1				
15	Y119260-25100	GEAR W/BUSH, IDLE	1				
16	Y22242-000200	CIRCLI 20	1				
17	Y26106-060122	BOLT M 6X 12 PLATED	3				
18	Y24101-062034	BALL BEARING	1				
19	Y119620-25912	BUSH	1				

Silverhorn.CO.UK

SPEC. CODE
D19305-21100
D19332-21200
D19305-21300
D19270-22100
D19260-23100

Fig. 8 クランクシャフト & ピストン
CRANKSHAFT & PISTON

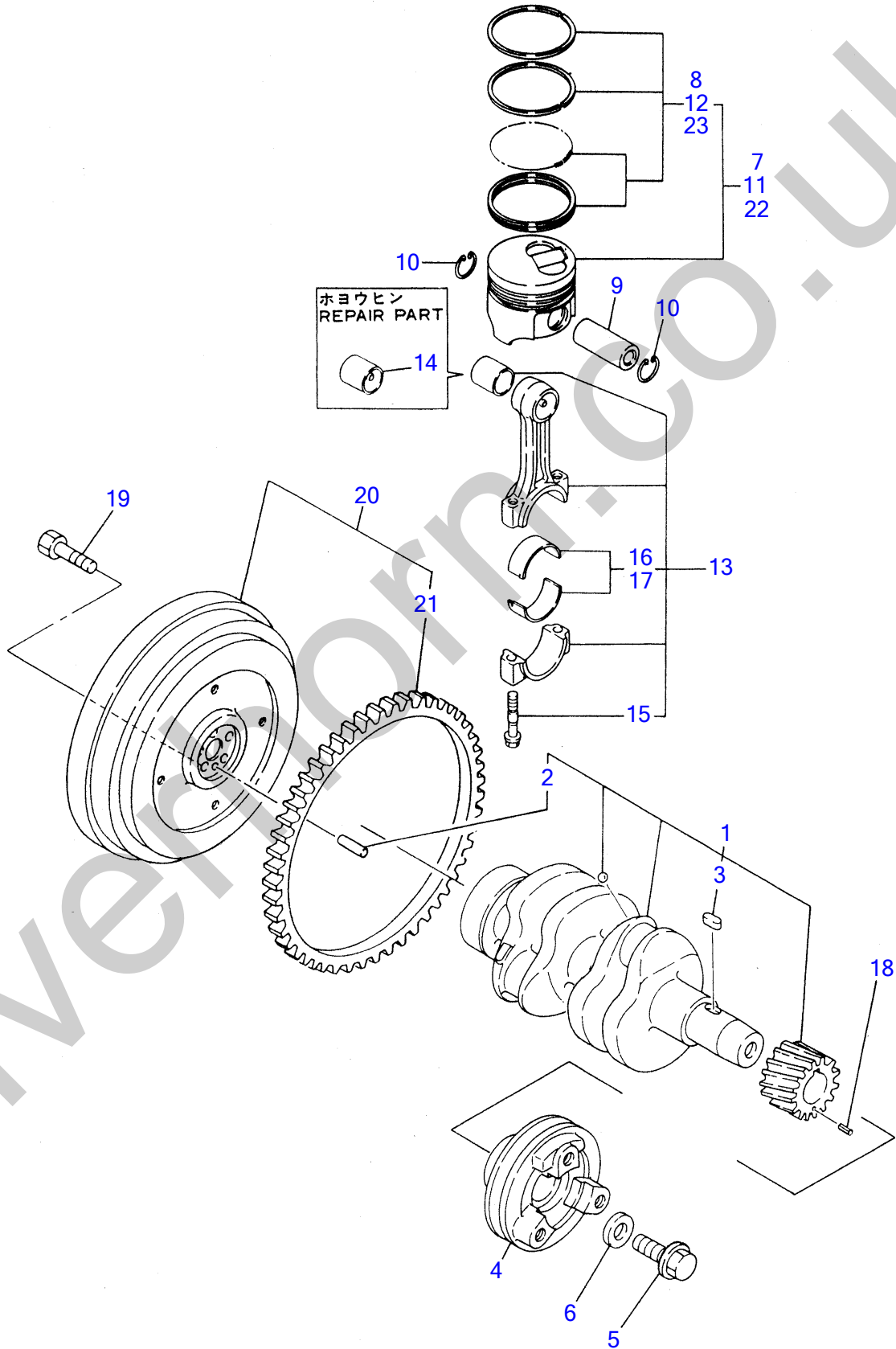


FIG 8 CRANKSHAFT & PISTON

Item	Part number	Description	Q'ty	Chan.	Serial No.	Serv.	Remarks
1	Y719385-21700	CRANKSHAFT ASSY	1				
1-1	Y719305-21710	CRANKSHAFT ASSY	1				
2	Y129100-01580	PARALLEL PIN 8X16	1				
3	Y22512-040120	KEY 4X 12	1				
4	Y119305-21650	V-PULLEY	1				
5	Y119621-21680	BOLT M12X1.25, FLANGE	1				
6	Y119620-21941	WASHER	1				
7	Y119270-22091	PISTON W/RING	2				
8	Y719270-22501	RING SET	2				
9	Y119260-22300	PIN, PISTON	2				
10	Y105225-22400	CIRCLIP	4				
11	Y719270-22821	PISTON W/RING OS=.25	2				
12	Y719270-22541	RING SET O.S=0.25	2				
13	Y719260-23100	ROD ASSY, CONNECTING	2				
14	Y119260-23910	BUSH, PISTON PIN	2				
15	Y119260-23200	BOLT, ROD	4				
16	Y719260-23600	BEARING, CRANKPIN	2				
17	Y719260-23610	BEARING, PIN U.S=0.25	2				
18	Y22351-030012	SPRING PIN 3X12	1				
19	Y121111-21501	BOLT, FLYWHEEL	5				
20	Y119332-21590	FLYWHEEL ASSY	1				
21	Y124950-21600	GEAR, RING	1				
22	Y119270-22920	PISTON W/RING OS=0.5	2				
23	Y119270-22970	RING SET O.S=0.5	2				

Fig. 9 LOシステム
LUB. OIL SYSTEM

SPEC. CODE D19305-35100
D19260-32100 D19332-35200
D19332-34100 D19600-39100

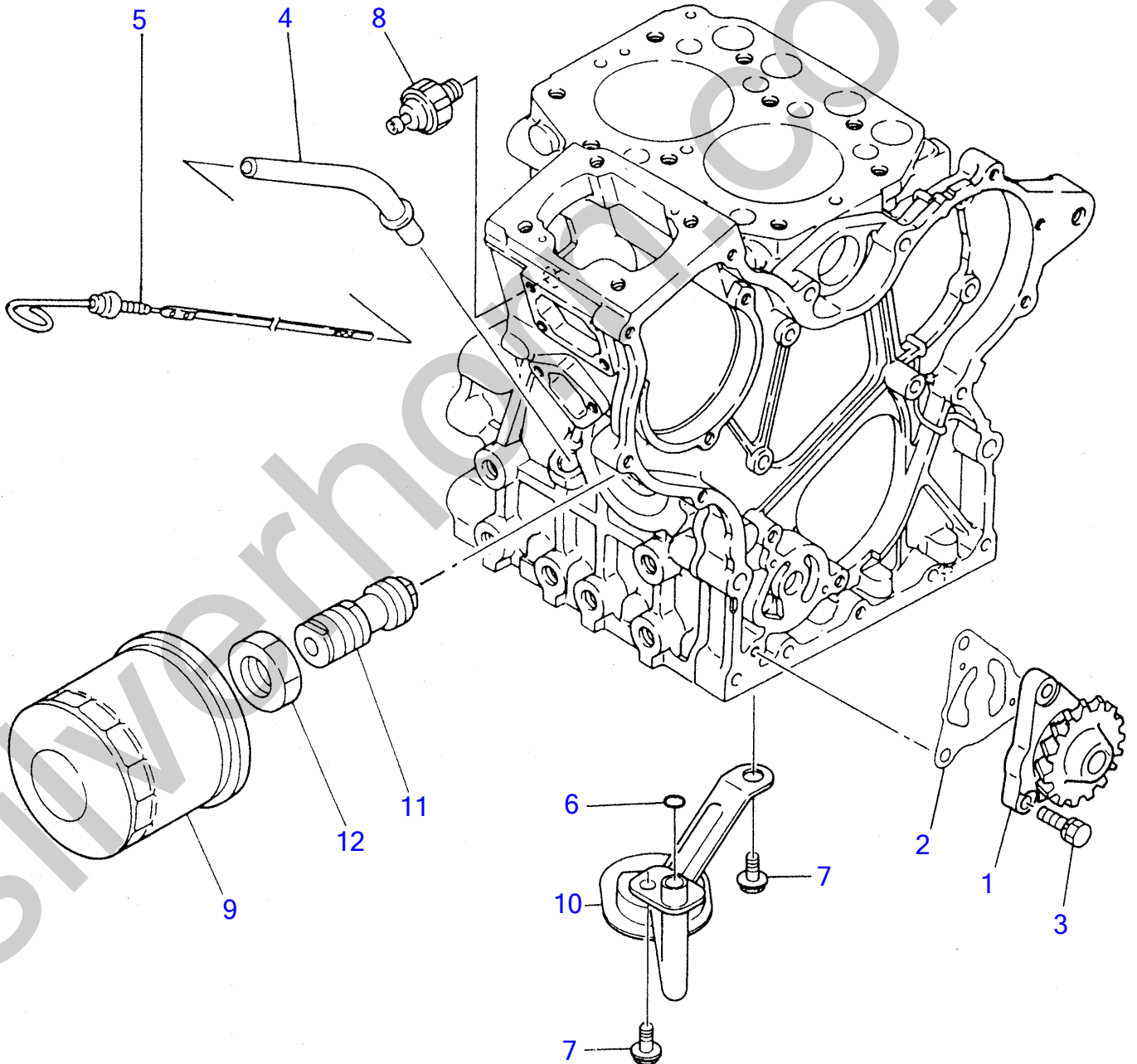


FIG 9 LUB. OIL SYSTEM

Item	Part number	Description	Q'ty	Chan.	Serial No.	Serv.	Remarks
1	Y119260-32000	PUMP ASSY, LUB. OIL	1				
2	Y119660-32020	GASKET, L.O. PUMP	1				
3	Y26013-060202	BOLT M 6X 20	3				
3-1	Y26450-060202	BOLT M 6X 20	3				
4	Y119332-34890	GUIDE, DIPSTICK	1				
5	Y119332-34800	DIPSTICK, LUB. OIL	1				
5-1	Y119332-34880	DIPSTICK, LUB. OIL	1				
6	Y24311-000120	O-RING 1A P 12.0	1				
7	Y26106-060122	BOLT M 6X 12 PLATED	2				
8	Y124160-39450	SWITCH, OIL PRESSURE	1				
9	Y119305-35150	FILTER, LUB. OIL	1				
10	Y119332-35080	PIP, OIL INLET	1				
11	Y119225-35300	VALVE ASSY, OIL PRESS	1				
12	Y129150-35350	NUT	1				

Silverhorn.CO.UK

SPEC. CODE D19225-49200
D19305-42300 D19629-49600
D19332-44201 D19244-49300
D19249-42100

Fig. **10** CWシステム
COOLING WATER SYSTEM

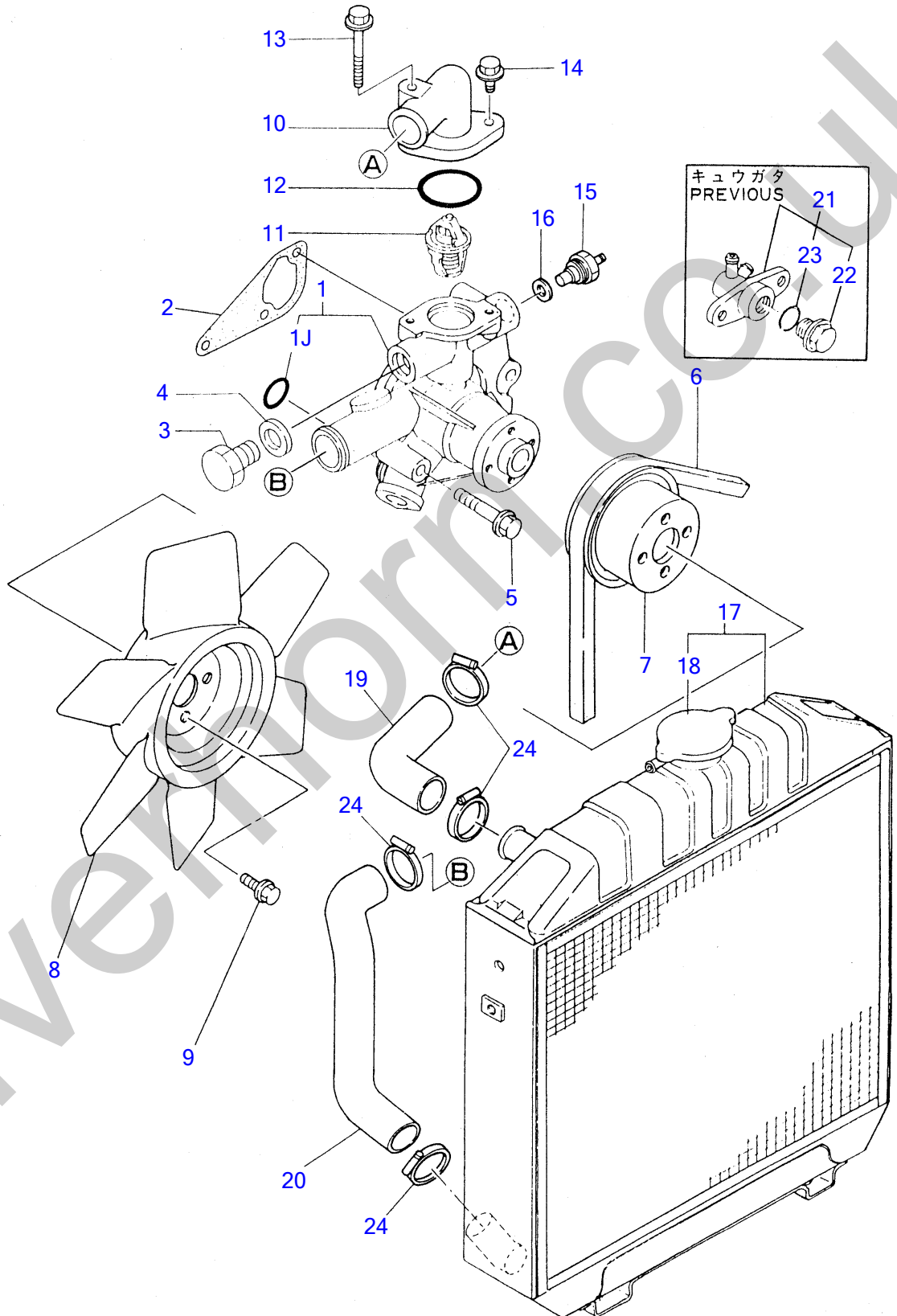


FIG 10 COOLING WATER SYSTEM

Item	Part number	Description	Q'ty	Chan.	Serial No.	Serv.	Remarks
1	Y119260-42000	PUMP ASSY, C. WATER	1				
1-1	Y119260-42001	PUMP, C.W. (NON-ASB.)	1				
1J	Y119225-42320	O-RING	1				
2	Y119260-42020	GASKET, C.W. PUMP	1				
3	Y121450-42450	PLUG M16	1				
4	Y23414-160021	GASKET 16	1				
4-1	Y124465-44950	GASKET 16	1				
5	Y26106-080452	BOLT M 8X 45 PLATED	3				
6	Y104514-42780	V-BELT (HM-33)	1				
7	Y119620-42350	V-PULLEY, C.W. PUMP	1				
8	Y119256-44740	FAN (D=260, COOLING	1				
8-1	Y119332-44740	FAN (D260)	1				
9	Y26014-060142	BOLT M 6X 14	4				
10	Y119256-49530	COVER, THERMOSTAT	1				
11	Y119260-49800	THERMOSTAT (71 C	1				
12	Y24321-000350	O-RING 1A G-35.0	1				
13	Y26106-060162	BOLT M 6X 16 PLATED	1				
14	Y26106-060552	BOLT M 6X 55 PLATED	1				
15	Y124250-49351	THERMOMETER	1				
16	Y129150-49360	GASKET 10	1				
17	Y119332-44500	RADIATOR	1				
18	Y124450-44590	CAP	1				
18-1	Y123682-44210	CAP	1				
19	Y119332-49010	PIPE(A), C.W	1				
20	Y119332-49020	PIPE(B), C.W	1				
21	Y121450-49110	COCK ASSY, 3-WAY	1				
22	Y121250-49121	PLUG	1				
23	Y24311-000160	O-RING 1A P-16.0	1				
24	Y23010-038000	CLAMP 38	4				

Fig. **11** FOフンシャポンプ
FUEL INJECTION PUMP

SPEC. CODE
D19620-53100
D19305-59100
D19332-59300
719332-51301

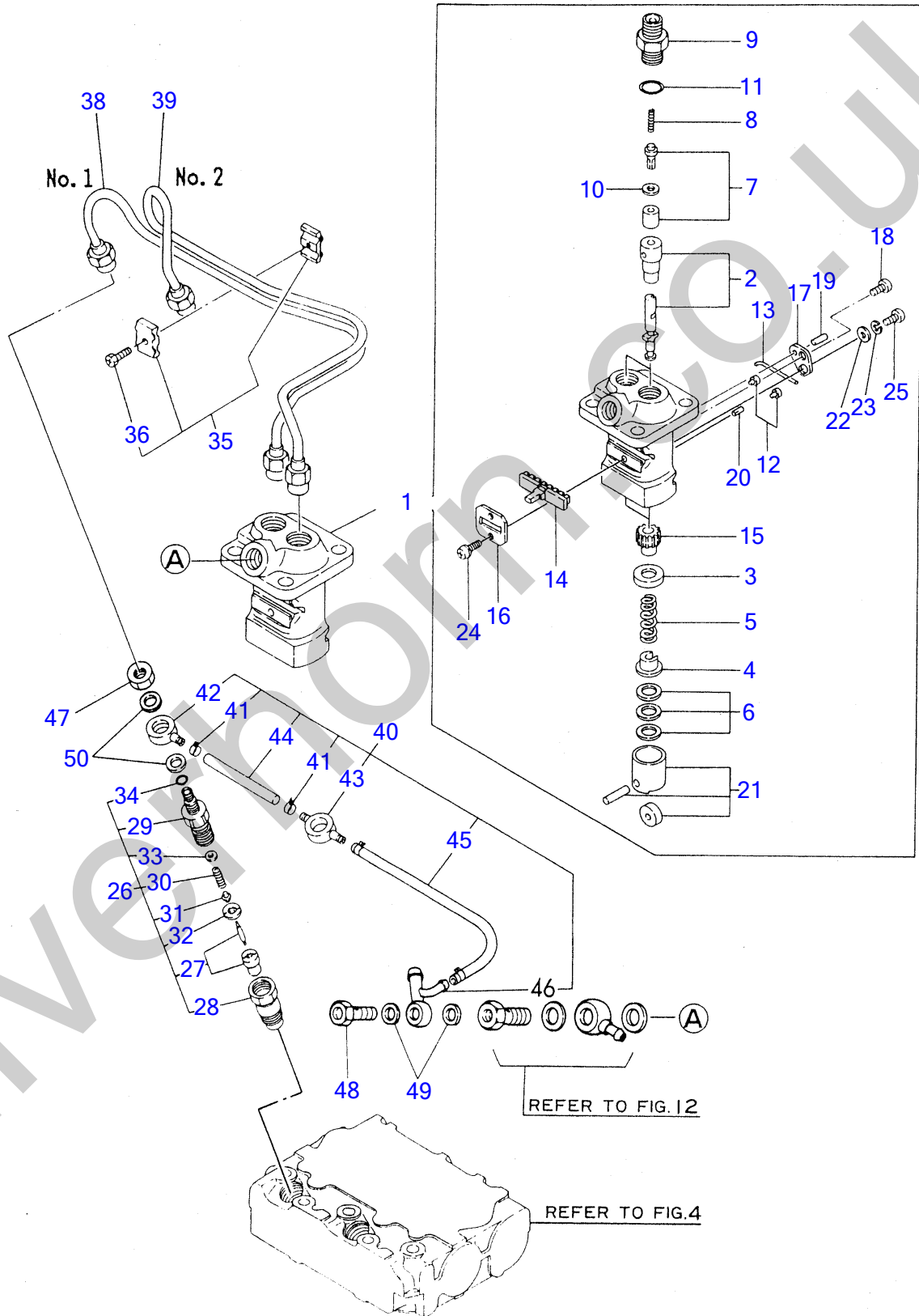


FIG 11 FUEL INJECTION PUMP

Item	Part number	Description	Q'ty	Chan.	Serial No.	Serv.	Remarks
1	Y719305-51100	PUMP ASSY. F.INJECT.	1				
2	Y119225-51100	PLUNGER W/BARREL	2				
3	Y119620-51170	RETAINER	2				
4	Y119620-51180	RETAINER	2				
5	Y119620-51190	SPRING, PLUNGER	2				
6	Y119620-51250	SHIM PACK	2				
7	Y119225-51300	VALVE W/SEAT, DELIV.	2				
8	Y105546-51330	SPRING, DELIV. VALVE	2				
9	Y119620-51340	HOLDER DELIV. VALVE	2				
10	Y119620-51350	GASKET, DELIVERY	2				
11	Y119620-51370	O-RING	2				
12	Y119620-51450	GUIDE, PLUNGER	2				
13	Y174307-51460	PIN	1				
14	Y119305-51500	RACK	1				
15	Y119620-51510	PINION	2				
16	Y119305-51530	RETAINER, RACK	1				
17	Y119620-51650	PLATE	1				
18	Y119620-51660	SCREW	1				
19	Y119620-51670	PIN	1				
20	Y119620-51680	PIN	1				
21	Y119620-51700	TAPPET ASSY	2				
22	Y22137-040000	WASHER 4, POLISHED	1				
23	Y22217-040000	SPRING WASHER 4	1				
24	Y26022-040082	SCREW M 4X 8	2				
25	Y26587-040102	SCREW M 4X 10	1				
26	Y719620-53700	VALVE ASSY, F.INJECT	2				
26-1	Y719620-23100	VALVE ASSY, F.INJECT	2				
27	Y119620-53000	NOZZLE ASSY,F.INJECT	2				
28	Y119620-53080	NUT, VALVE W/CASE	2				
29	Y119620-53100	HOLDER, VALVE W/CASE	2				
30	Y119620-53120	SPRING, VALVE	2				
31	Y114250-53130	SEAT, NOZZLE SPRING	2				
32	Y119620-53140	SPACER, VALVE STOP	2				
33	Y114250-53400	SHIM PACK	2				
34	Y129155-61830	O-RING S10	2				
34-1	Y129155-51580	O-RING	2				
35	Y119305-59120	RETAINER	1				
36	Y129150-59130	BOLT M 4X 12	1				
36-1	Y129150-59131	BOLT M 4X 12	1				
38	Y119305-59810	PIPE ASSY, FUEL	1				
39	Y119305-59820	PIPE ASSY, FUEL	1				
40	Y119332-59540	PIPE, FUEL RETURN	1				
41	Y124066-59100	CLAMP 8	2				
42	Y119260-59520	JOINT (B)	1				
43	Y119260-59530	JOINT (A)	1				
44	Y119260-59550	PIPE, FUEL	1				
45	Y119642-59550	PIPE, FUEL RETURN	1				
46	Y119642-59570	JOINT, OVER FLOW PIPE	1				
47	Y119620-59700	NUT	2				
48	Y124550-59820	BOLT 8, PIPE JOINT	1				
49	Y23414-080012	GASKET 8	2				
50	Y23414-140000	GASKET 14, ROUND	2				

Fig. **12** FOパイプ
FUEL LINE

SPEC. CODE
D19640-59210
D19332-93000

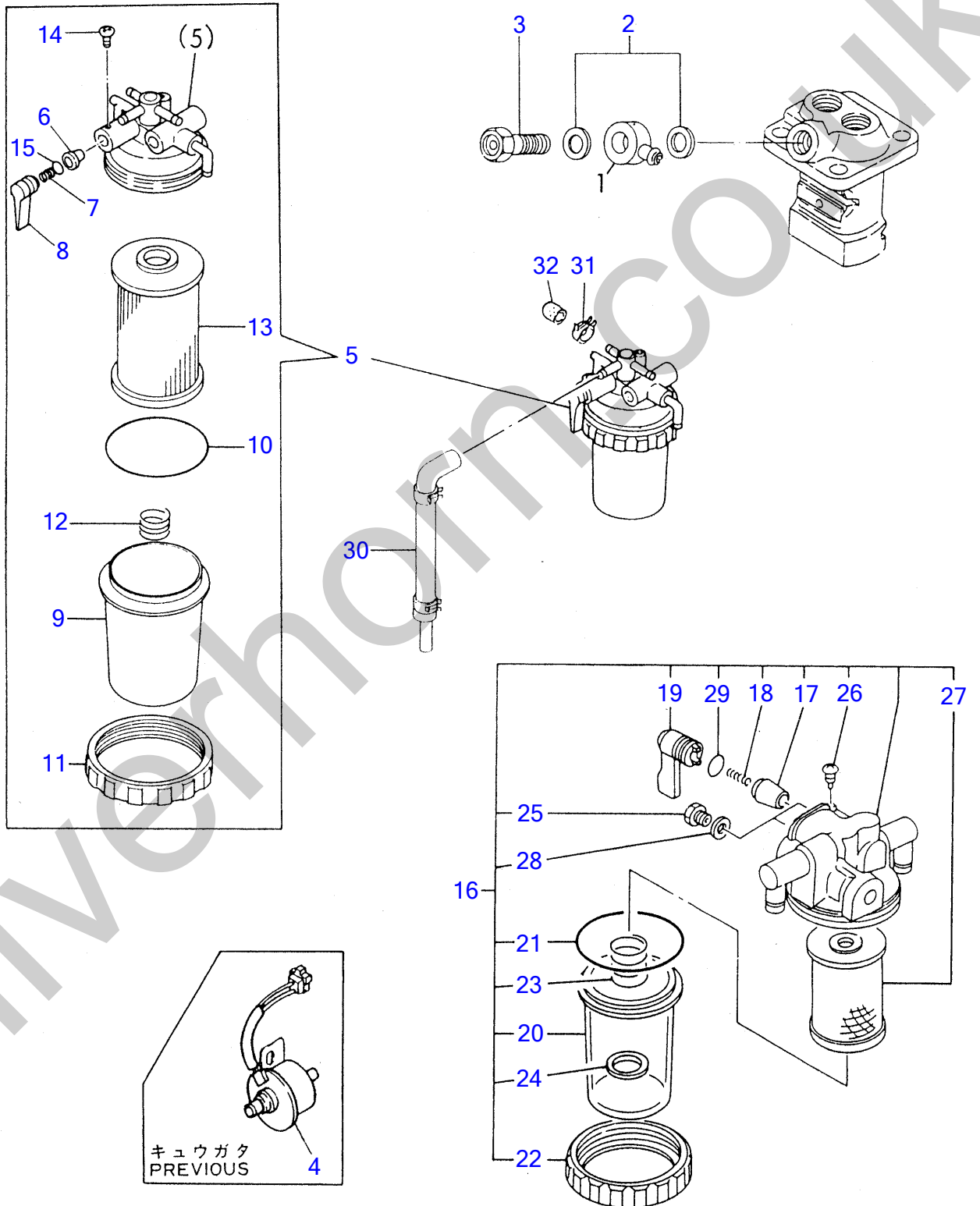


FIG 12 FUEL LINE

Item	Part number	Description	Q'ty	Chan.	Serial No.	Serv.	Remarks
1	Y101304-59020	JOINT 12, PIPE	1				
2	Y104200-59170	GASKET 12	2				
3	Y119650-59200	BOLT 12, PIPE JOINT	1				
4	Y119225-52102	PUMP ASSY, FUEL FEED	1				
5	Y119632-55620	STRAINER ASSY, F.O.	1				
6	Y104200-55321	VALVE, TAPER	1				
7	Y104200-55330	SPRING, TAPER VALVE	1				
8	Y119810-55340	LEVER	1				
9	Y121254-55510	CUP, STRAINER	1				
10	Y102103-55520	O-RING	1				
11	Y110250-55610	RING, RETAINING	1				
12	Y121250-55620	SPRING	1				
13	Y124550-55700	ELEMENT, FUEL	1				
14	Y104200-55750	SCREW M 4	1				
15	Y24311-240100	O-RING 1A P-10A	1				
16	Y129335-55700	SEPARATOR, WATER	1				
17	Y104200-55321	VALVE, TAPER	1				
18	Y104200-55330	SPRING, TAPER VALVE	1				
19	Y104200-55341	HANDLE, COCK	1				
20	Y124064-55510	BOWL, FUEL STRAINER	1				
21	Y102103-55520	O-RING	1				
22	Y110250-55610	RING, RETAINING	1				
23	Y121257-55720	SPRING, SCREEN	1				
24	Y121257-55731	FLOAT	1				
25	Y101720-55750	PLUG 6	2				
26	Y104200-55750	SCREW M 4	1				
27	Y171081-55910	SCREEN	1				
28	Y23418-060000	GASKET 6, NYLON	2				
29	Y24311-240100	O-RING 1A P-10A	1				
30	Y-119840-59601	BEND ASSY	2				
30-1	Y119840-59601	BEND ASSY	1				
31	Y124066-59100	CLAMP 8	1				
32	Y129150-59580	CAP	1				

Silverhorn.CO.UK

Fig. 13 ガバナ GOVERNOR

SPEC. CODE
719332-51301
D29428-66400

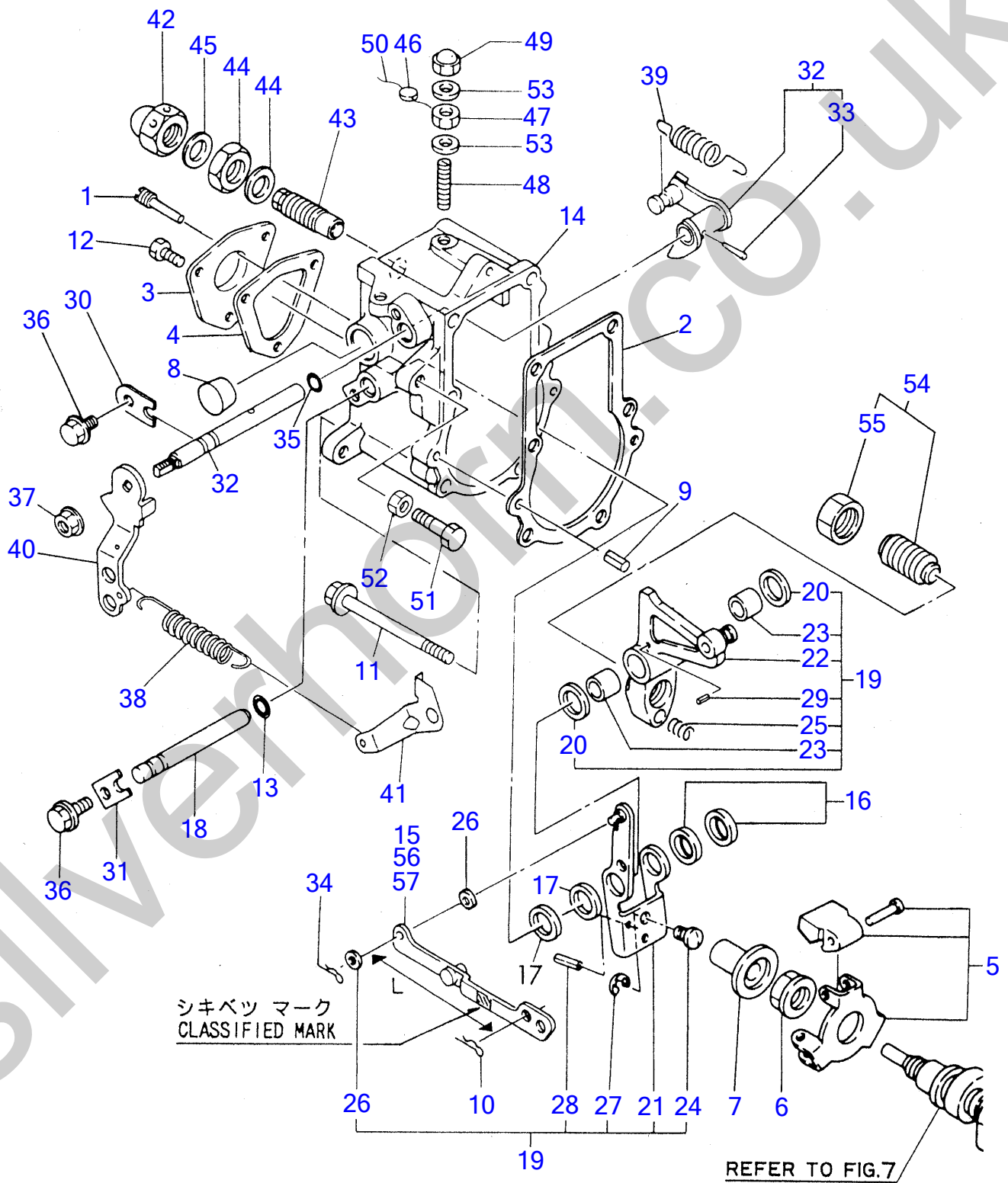


FIG 13 GOVERNOR

Item	Part number	Description	Q'ty	Chan.	Serial No.	Serv.	Remarks
1	Y124250-03640	SCREW, STOP	1				
2	Y119660-61051	GASKET, GOV. CASE	1				
2-1	Y119660-61052	GASKET, (NON-ASB.)	1				
3	Y119660-61060	COVER, GOVERNOR CASE	1				
4	Y119660-61070	GASKER, GOV. CASE	1				
4-1	Y119660-61071	GASKET, (NON-ASB.)	1				
5	Y119600-61200	WEIGHT ASSY, GOV.	1				
6	Y119660-61300	NUT, GOVERNOR WEIGHT	1				
7	Y119660-61341	SLEEVE, GOVERNOR	1				
8	Y119640-61400	PLUG	1				
9	Y22351-040010	SPRING PING 4X10	2				
10	Y22360-060000	SNAP PIN 6	1				
11	Y26106-060702	BOLT M 6X 70 PLATED	6				
12	Y26116-050102	BOLT M 5X 10 PLATED	3				
13	Y129155-51280	O-RING S6	1				
14	Y119660-61013	CASE, GOVERNOR	1				
15	Y119285-61120	LINK (L=88.8)	1				
16	Y119660-61460	SHIM SET	1				
17	Y129155-61480	SPACER ASSY	2				
18	Y119660-61491	SHAFT, GOVERNOR LEVER	1				
19	Y119285-61500	LEVER ASSY, GOVERNOR	1				
20	Y174307-51700	SHIM SET	2				
21	Y119660-61512	LEVER, TENSION	1				
22	Y119600-61520	LEVER, GOVERNOR	1				
23	Y121450-61520	NEEDLE BEARING FJ810	2				
24	Y119600-61540	SHIFTER	1				
25	Y119600-61650	SPRING, STARTING	1				
26	Y22117-040000	WASHER 4	2				
27	Y22272-000040	CIRCLIP E- 4	1				
28	Y22351-020004	SPRING PIN 2X 4	1				
29	Y22351-030014	SPRING PIN 3X14	1				
30	Y119600-61900	RETAINER, SHAFT	1				
31	Y119660-61901	RETAINER, SHAFT	1				
32	Y119285-66090	SHAFT ASSY, REGULATOR	1				
33	Y22322-030160	TAPER PIN 3X16	1				
34	Y22360-040000	SNAP PIN 4	1				
35	Y24341-000070	O-RING 1A S-7.0	1				
36	Y26106-060102	BOLT M 6X 10 PLATED	2				
37	Y194990-22050	NUT W/WASHER 8	1				
38	Y119840-61870	SPRING	1				
39	Y119305-66010	SPRING, REGULATOR	1				
40	Y119640-66051	HANDLE, REGULATOR	1				
41	Y119656-66910	HOOK	1				
42	Y129100-61930	NUT, CAP	1				
43	Y119600-66530	TORQUE SPRING ASSY	1				
44	Y124772-66750	LOCK NUT M12	1				
45	Y43400-500450	SEAL WASHER 12S	2				
45-1	Y22190-120002	SEAL WASHER 12S	2				
46	Y135210-61090	LEAD	1				
47	Y124550-66370	LOCK NUT M 6	1				
48	Y121575-66830	SCREW, ADJUST	1				
49	Y119600-66840	NUT, CAP	1				
50	Y22451-060000	WIRE 0.6	1				
51	-26116-060304	BOLT M 6X 30 PLATED	1				
52	Y26756-0600002	LOCK NUT M 6 PLATED	1				
53	Y43400-500400	SEAL WASHER 6	2				
54	Y119600-66720	ANGLEICH ASSY	1				
55	Y129155-31590	NUT	1				
56	Y119285-61130	LINK (L=88.6)	1				
57	Y119285-61140	LINK (L=89.0)	1				

Fig. **14** スターティングモータ
STARTING MOTOR

SPEC. CODE
D19260-77110

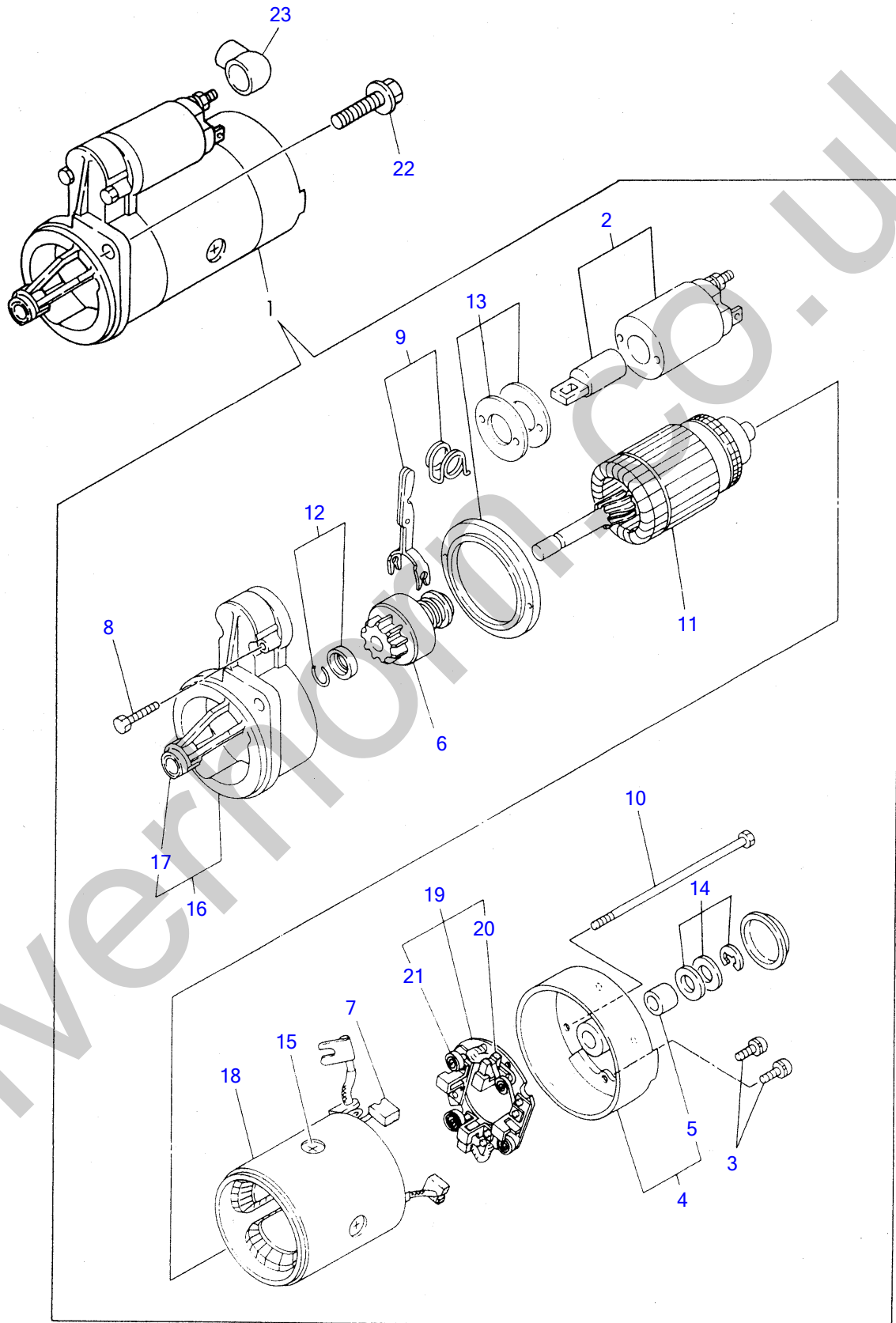


FIG 14 STARTING MOTOR

Item	Part number	Description	Q'ty	Chan.	Serial No.	Serv.	Remarks
1	Y119225-77010	STARTER	1				
1-1	Y119225-77011	STARTER	1				
2	YX2114275070	SWITCH, MAGNETIC	1				
3	YX2114283500	SCREW SET	1				
4	YX2114430010	COVER ASSY, REAR	1				
5	YX2114535200	METAL, STARTER	1				
6	YX2114455040	PINION ASSY	1				
7	YX2114531200	BRUSH (+)	2				
8	YX2114586700	BOLT M6X 37	2				
9	YX2114660130	LEVER KIT, SHIFT	1				
10	YX2114680050	BOLT, THROUGH	2				
11	YX2114710080	ARMATURE ASSY	1				
12	YX2114715500	STOPPER SET, PINION	1				
13	YX2114780060	COVER ASSY, DUST	1				
14	YX2114811000	WASHER KIT, THRUST	1				
15	YX2114821500	SCREW SET	4				
16	YX2114866060	HOUSING, GEAR	1				
17	YX2114535200	METAL, STARTER	1				
18	YX2114921040	COIL ASSY, FIELD	1				
19	YX2114990010	HOLDER ASSY, BRUSH	1				
20	YX2114831300	BRUSH (-)	1				
21	YX2114931400	SPRING, BRUSH	3				
22	Y26106-100252	BOLT M10X 25 PLATED	2				
23	Y124160-77020	COVER, TERMINAL	1				

Silverhorn.CO.UK

Fig. **15** ジェネレータ
GENERATOR

SPEC. CODE
D19242-77220
D21450-77300

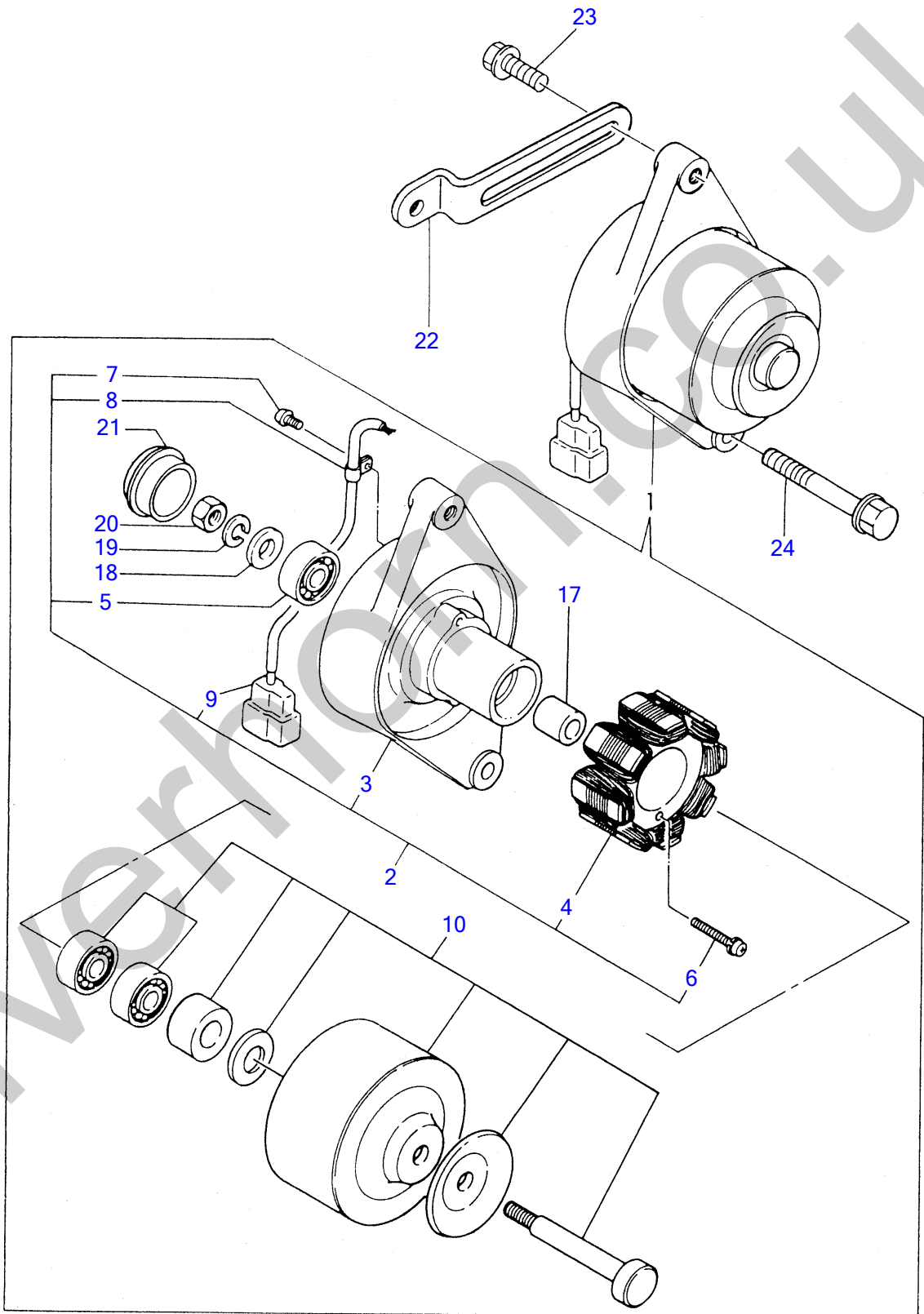


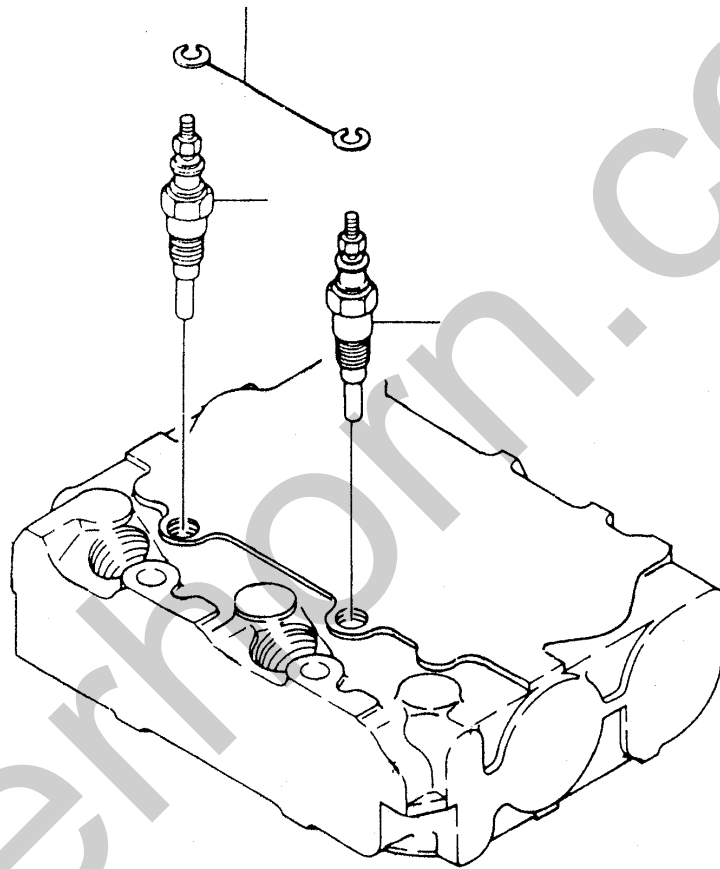
FIG 15 GENERATOR

Item	Part number	Description	Q'ty	Chan.	Serial No.	Serv.	Remarks
1	Y119663-77200	GENERATOR	1				
2	YXM91967	PLATE ASSY	1				
3	YXM91968	PLATE	1				
4	YXM91969	STATOR	1				
5	YXM27436	BALL BEARING	1				
6	Y26022-040252	SCREW M 4X 25	2				
7	YXYS4008	SCREW	1				
8	YXM36410	CLAMP	1				
9	YXM17878	COUPLER	1				
10	YXM82099	FLYWHEEL ASSY	1				
17	Y106383-44720	SPACER	1				
18	Y106383-44730	WASHER	1				
19	Y22212-100000	SPRING WASHER 10	1				
20	Y26716-100002	NUT M10	1				
21	Y105225-44790	CAP	1				
22	Y121450-77330	ADJUSTER, BELT	1				
23	Y26014-080252	BOLT M 8X 25	1				
24	Y26106-100402	BOLT M10X 40 PLATED	1				

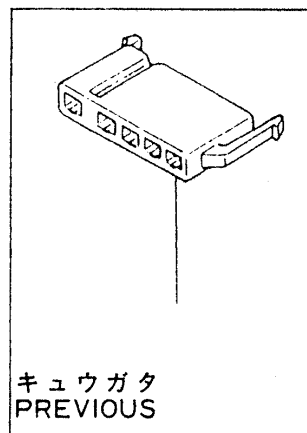
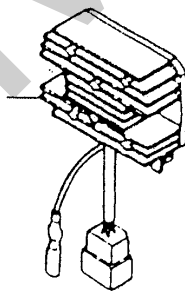
Silverhorn.CO.UK

SPEC. CODE
D19332-77310
D19305-77700
D19332-93000

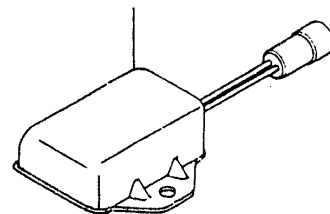
Fig. **16** デンソウヒン
ELECTRIC PART



2



キュウガタ
PREVIOUS



1

FIG 16 ELECTRIC PART

Item	Part number	Description	Q'ty	Chan.	Serial No.	Serv.	Remarks
1	Y129155-77801	PLUG, GLOW	2				
2	Y119305-77820	CONNECTOR, GLOW PLUG	1				
3	Y119660-77710	CURRENT LIMITER (15A)	1				
4	Y171301-777720	COUPLER	1				
5	Y119332-77810	RESISTOR	1				

Silverhorn.CO.UK

Fig. **17** パッキンセット(オプション)&コウグ
GASKET SET (OPTIONAL) & TOOL

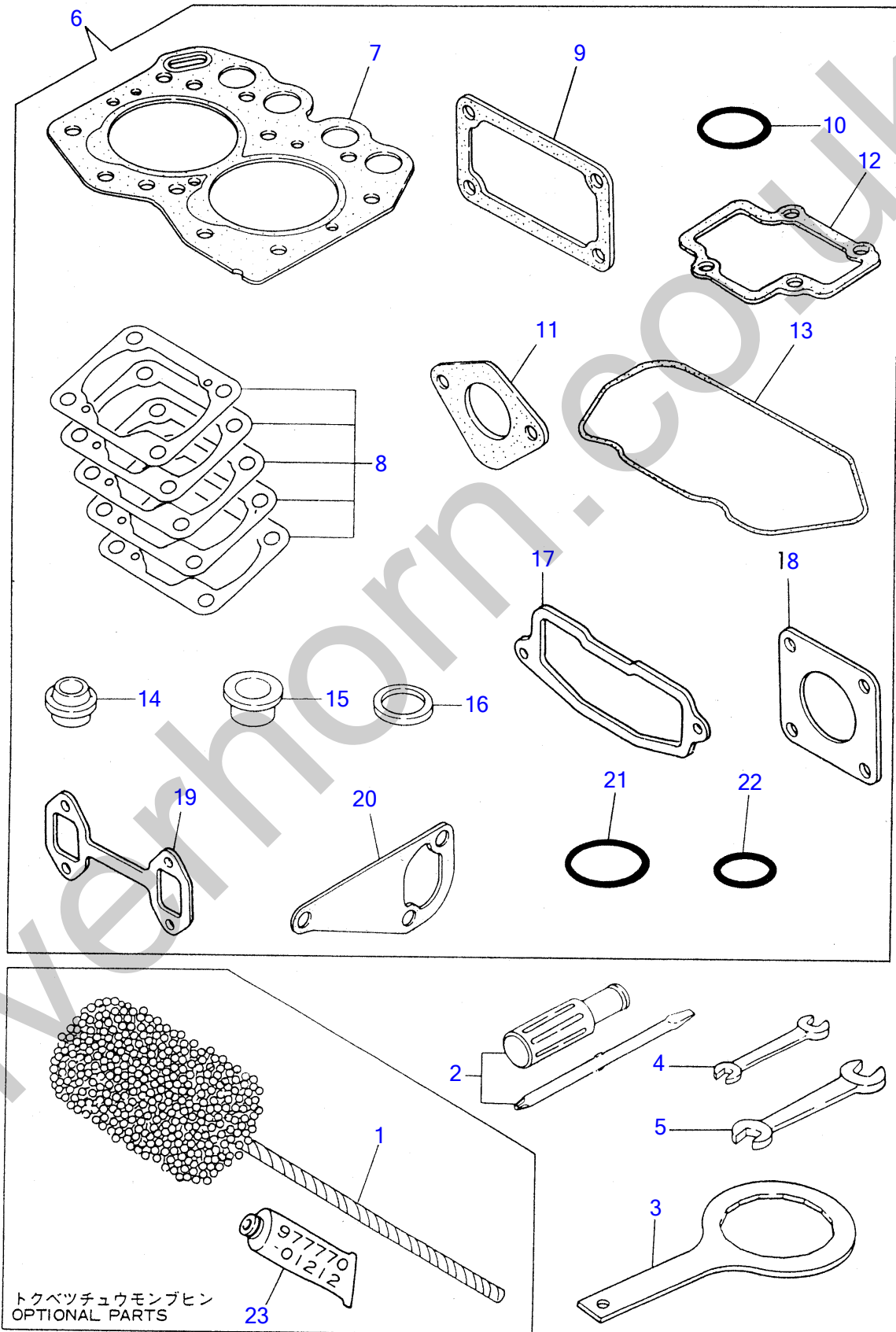


FIG 17 GASKET SET (OPTIONAL) & TOOL

Item	Part number	Description	Q'ty	Chan.	Serial No.	Serv.	Remarks
1	Y129400-92400	FLEX HORN	1				
2	Y104200-92350	DRIVER, SCREW	1				
3	Y119332-92750	WRENCH, FILTER	1				
3-1	Y119332-92751	WRENCH, FILTER	1				
4	Y28110-100120	WRENCH 10X12	1				
5	Y28110-140170	WRENCH 14X17	1				
6	Y719385-92600	GASKET SET	1				
6-1	Y719385-92601	GASKET SET	1				
6-2	Y719385-92602	GASKET SET	1				
7	Y119305-01340	GASKET, CYL. HEAD	1				
8	Y119305-01950	SHIM PACK	1				
9	Y119660-01561	GASKET, PUMP COVER	1				
9-1	Y119660-01562	GASKET, (NON-ASB.)	1				
10	Y24311-000320	O-RING 1A P-32.0	2				
11	Y121520-01850	GASKET, F.FEED PUMP	1				
11-1	Y121520-01851	GASKET, (NON-ASB.)	1				
12	Y119305-03030	GASKET, PLATE	1				
12-1	Y119305-03031	GASKET, PLATE	1				
13	Y119305-11310	GASKET, BONNET	1				
14	Y119260-11340	SEAL, VALVE STEM	4				
15	Y119600-11450	PROTECTOR, NOZZLE	2				
16	Y119600-11460	GASKET, NOZZLE	4				
17	Y119305-12160	GASKET, SUC.MANIFOLD	1				
18	Y124701-11910	GASKET, (NON-ASB.)	1				
18-1	Y124701-11911	GASKET, (NON-ASB.)	1				
19	Y119305-13110	GASKET, EXH.MANIFOLD	1				
20	Y119260-42020	GASKET, C.W. PUMP	1				
21	Y24321-000350	O-RING 1A G-35.0	1				
22	Y121420-01760	O-RING	1				
23	Y977770-01212	GASKET, LIQUID	1				

Silverhorn.CO.UK

INDEX

REF NO.

PARTS NO.

Description

Q'ty I R

- CYLINDER BLOCK
- GEAR HOUSING
- FLYWHEEL HOUSING & OIL SUMP
- CYLINDER HEAD & BONNET
- SUCTION MANIFOLD & AIR CLEANER
- EXHAUST MANIFOLD & SILENCER
- CAMSHAFT & DRIVING GEAR
- CRANKSHAFT & PISTON
- LUB. OIL SYSTEM
- COOLING WATER SYSTEM
- FUEL INJECTION PUMP
- GOVERNOR
- FUEL INJECTION VALVE
- FUEL LINE
- STARTING MOTOR
- GENERATOR
- GASKET SET

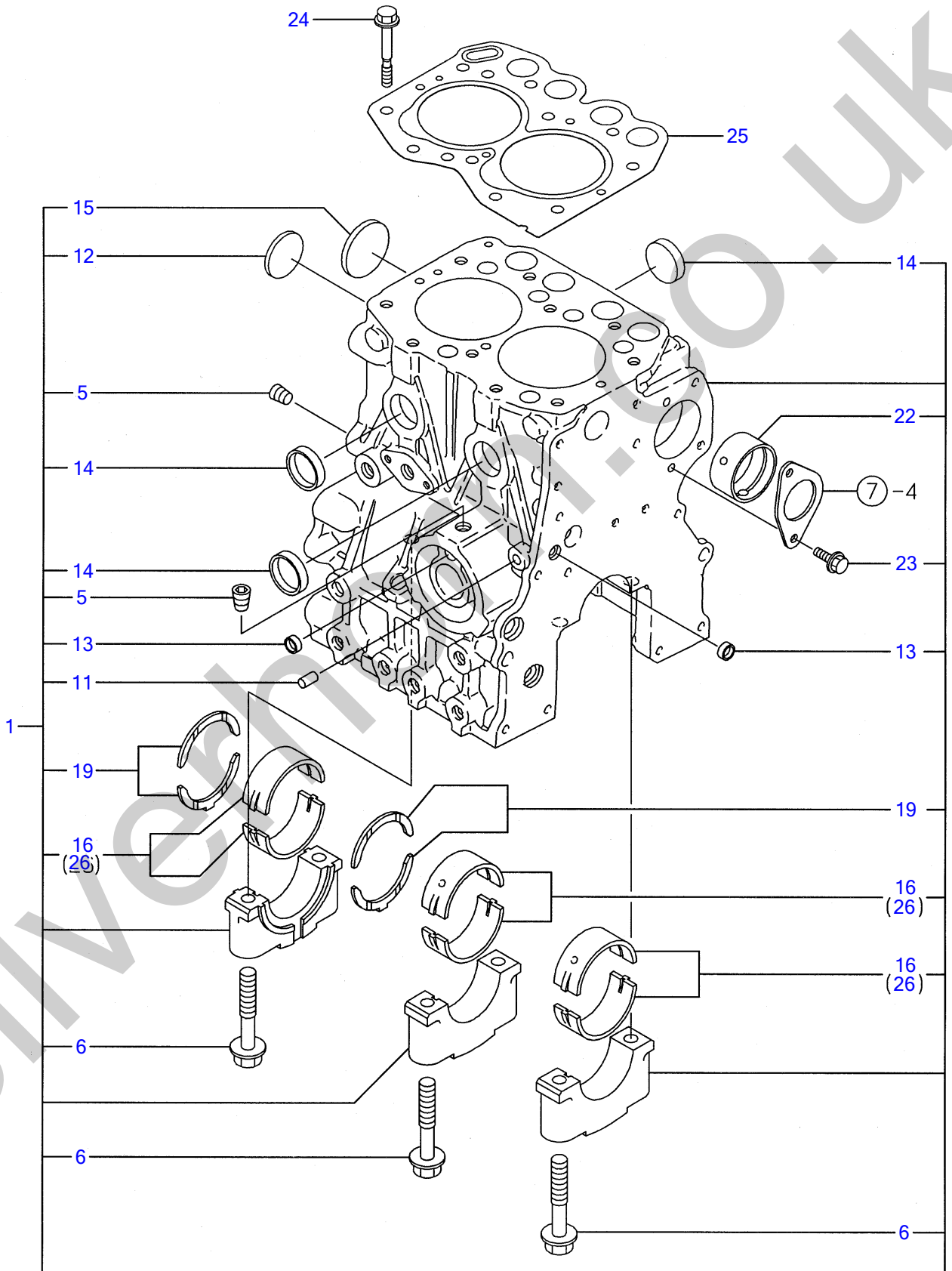
2TNE68-ETB S/N 1074340-1074744

Silverhorn.CO.UK

Engine for TB007 2TNE68-ETB
CYLINDER BLOCK

Y00D7170
2TNE68-ETB

1 シリンダブロック
1 CYLINDER BLOCK



¼ØÝÀÞÙ, CYLINDER BLOCK

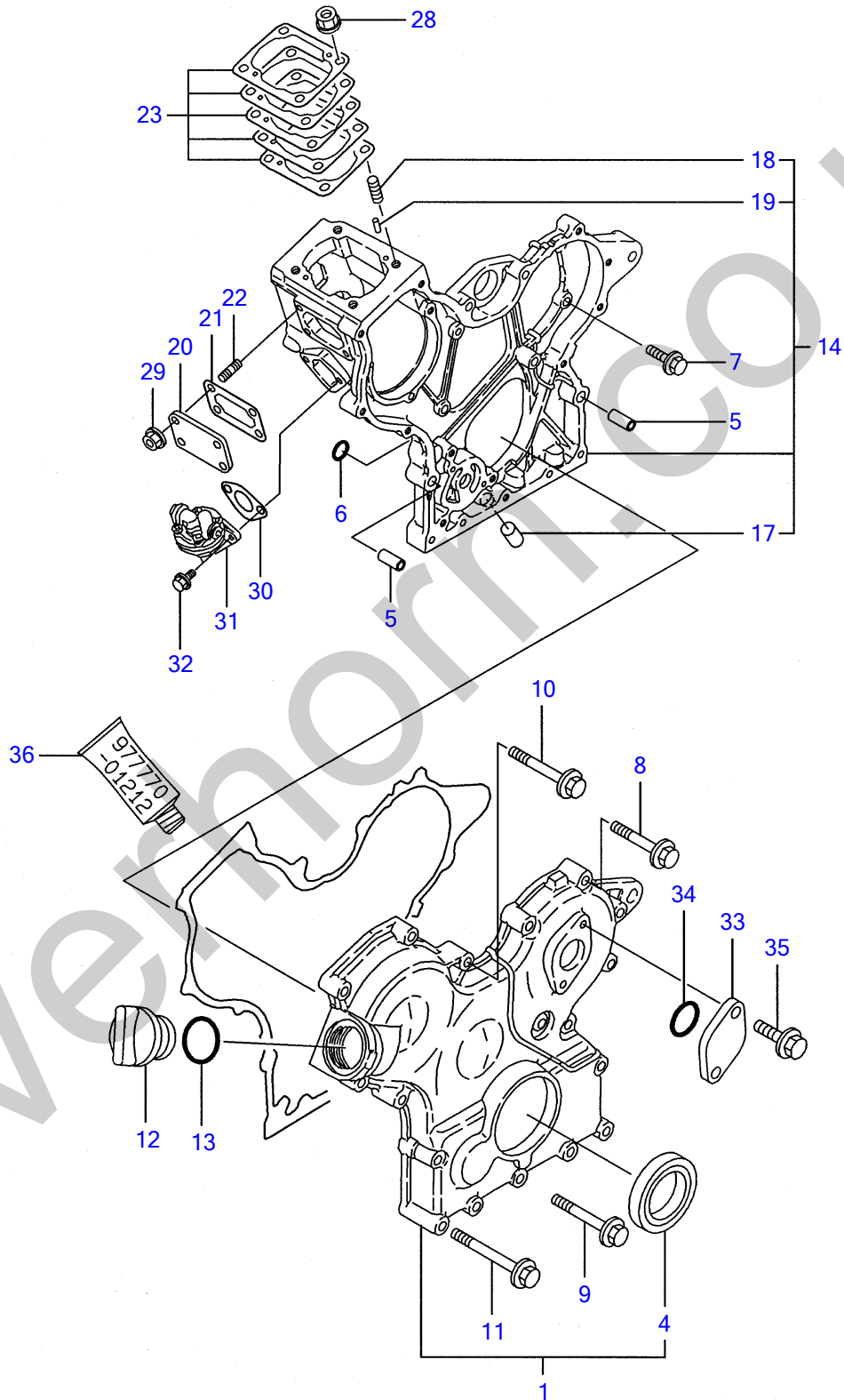
REF NO.	PARTS NO.	Description	Q'ty	I	R	δ
1	Y719325-01560	BLOCK ASSY, CYLINDER	1			
5	Y124060-01050	• PLUG PT1/8	2			
6	Y119260-02020	• BOLT	6			
11	Y27221-060100	• PLUG 6X10	1			
12	Y119265-01250	• PLUG 40	1			
13	Y27241-100000	• PLUG 10	2			
14	Y27241-250000	• PLUG 25	3			
15	Y27241-300000	• PLUG 30	1			
16	Y119260-02800	• MAIN BEARING	3			
19	Y119260-02930	• THRUST BEARING	2			
22	Y119266-02410	• BUSH	1			
23	Y26106-060122	• BOLT M 6X 12 PLATED	2			
24	Y119266-01200	STUD, CYL. HEAD	10			
25	Y119309-01330	GASKET, CYL. HEAD	1			
26	Y719260-02870	MAIN BEARING US=0.25	3			

Silverhorn.CO.UK

Engine for TB007 2TNE68-ETB
GEAR HOUSING

Y00D7170
2TNE68-ETB

2 ギヤケース
GEAR HOUSING



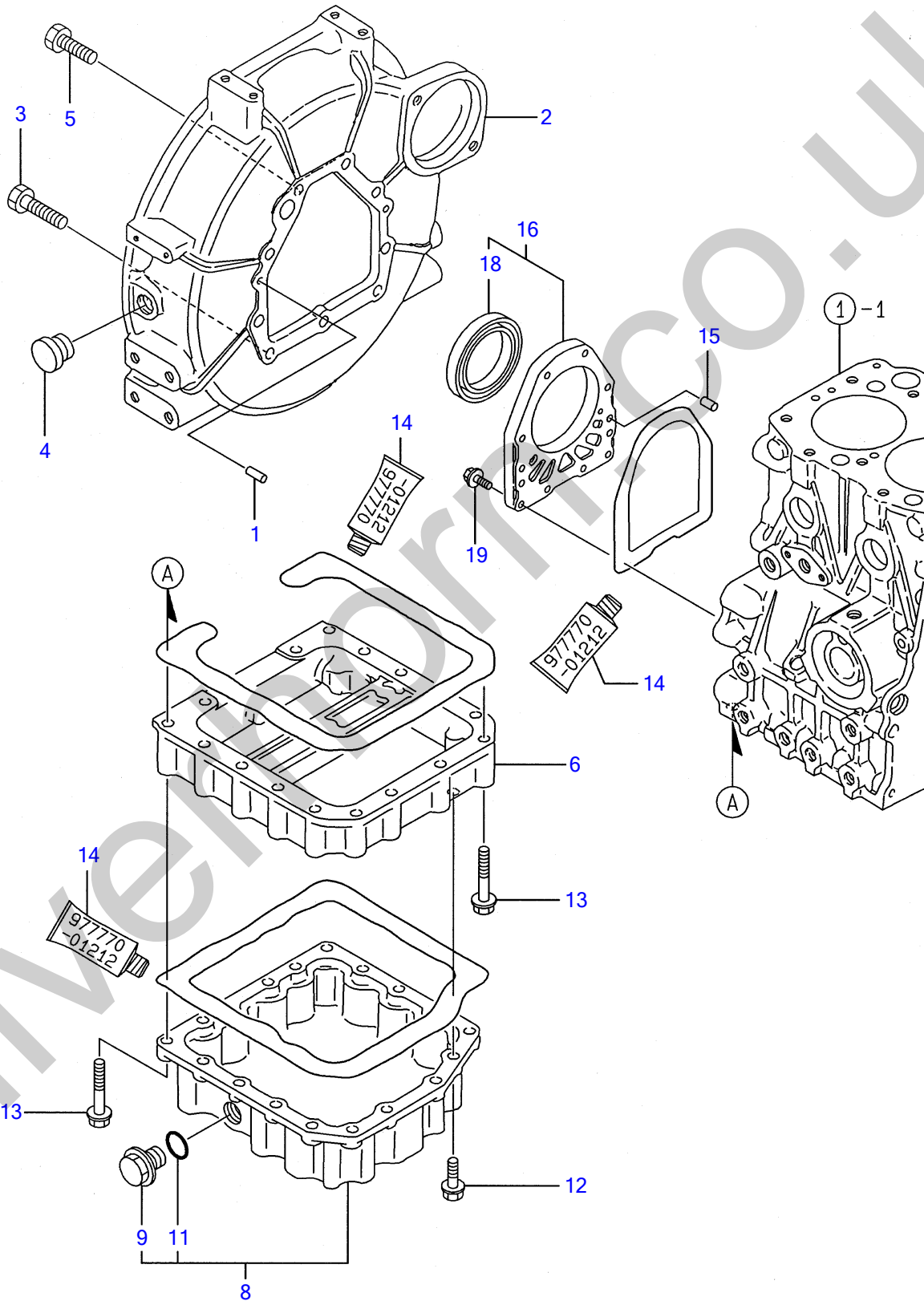
GEAR HOUSING

REF NO.	PARTS NO.	Description	Q'ty
1	Y119260-01590	COVER ASSY, GEAR CASE	1
4	Y119620-01800	• SEAL HTC456208, OIL	1
5	Y119660-01911	PIPE, KNOCK	4
6	Y119624-32040	O-RING P 12.0	2
7	Y26106-060162	BOLT M 6X 16 PLATED	5
8	Y26106-060302	BOLT M 6X 30 PLATED	5
9	Y26106-060402	BOLT M 6X 40 PLATED	3
10	Y26106-060502	BOLT M 6X 50 PLATED	4
11	Y26106-060652	BOLT M 6X 65 PLATED	6
12	Y124160-01751	CAP, LUB.OIL SUPPLY	1
13	Y24311-000320	O-RING 1A P-32.0	1
14	Y119305-01490	HOUSING, GEAR	1
17	Y119260-01510	• PLUG	1
18	Y121450-01560	• STUD M 8X 22	4
19	Y22351-040010	• SPRING PIN 4X10	2
20	Y119660-01551	COVER	1
21	Y119660-01562	GASKET, (NON-ASB.)	1
22	Y119660-01570	STUD M6X12	4
23	Y119305-01950	SHIM PACK	1
28	Y194990-22050	NUT W/WASHER 8	4
29	Y26366-060002	NUT M 6	4
30	Y121520-01851	GASKET, (NON-ASB.)	1
31	Y119600-52021	PUMP ASSY, FUEL FEED	1
32	Y26106-060162	BOLT M 6X 16 PLATED	2
33	Y121023-01550	COVER, BLIND	1
34	Y24341-000240	O-RING 1A S-24.0	1
35	Y26106-060162	BOLT M 6X 16 PLATED	2
36	Y977770-01212	GASKET, LIQUID	1

Engine for TB007 2TNE68-ETB
FLYWHEEL HOUSING & OIL SUMP

Y00D7170
2TNE68-ETB

3 フライホイールハウジング & オイルパン
FLYWHEEL HOUSING & OIL SUMP



FLYWHEEL HOUSING & OIL SUMP

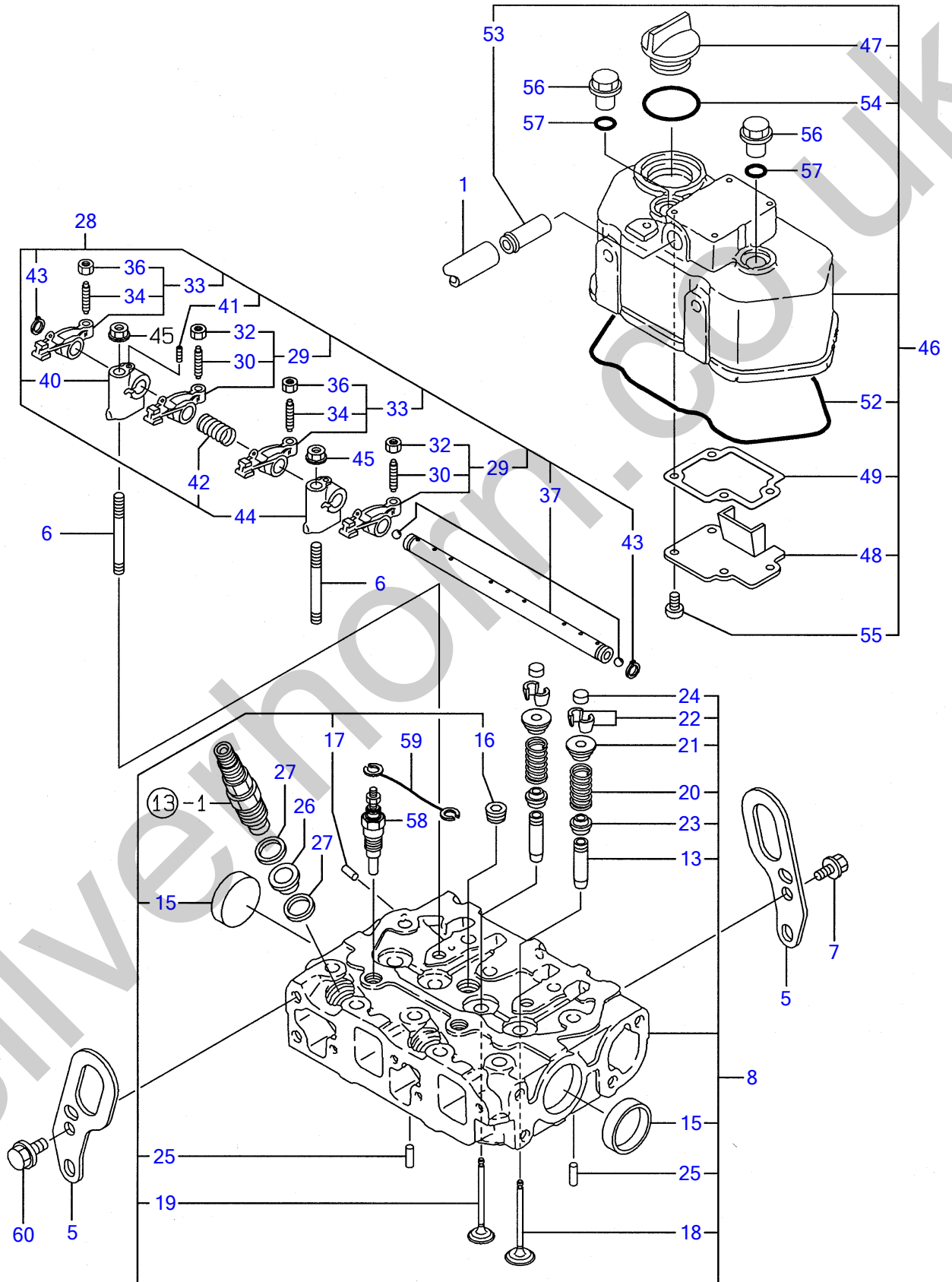
REF NO.	PARTS NO.	Description	Q'ty
	Y129100-01580	PARALLEL PIN 8X16	2
	Y119260-01600	HOUSING, FLYWHEEL	1
	Y121120-01620	BOLT M 10X 28	3
	Y119620-01750	CAP, FLYWHEEL COVER	1
	Y26206-100252	BOLT M10X25	6
	Y119305-01760	SPACER, SUMP	1
	Y119332-01771	SUMP ASSY, LUB. OIL	1
	Y121400-01640	• PLUG M16	1
	Y24311-000180	• O-RING 1A P-18.0	1
	Y26106-060102	BOLT M 6X 10 PLATED	3
	Y26106-060452	BOLT M 6X 45 PLATED	16
	Y977770-01212	GASKET, LIQUID	1
	Y119620-01620	PARALLEL PIN 6X10	2
	Y119660-01640	CASE ASSY, OIL SEAL	1
	Y124085-02220	• SEAL, OIL	1
	Y26106-060222	BOLT M 6X 22 PLATED	10

Silverhorn.CO.UK

Engine for TB007 2TNE68-ETB
CYLINDER HEAD & BONNET

Y00D7170
2TNE68-ETB

4 シリンダヘッド & ボンネット
CYLINDER HEAD & BONNET



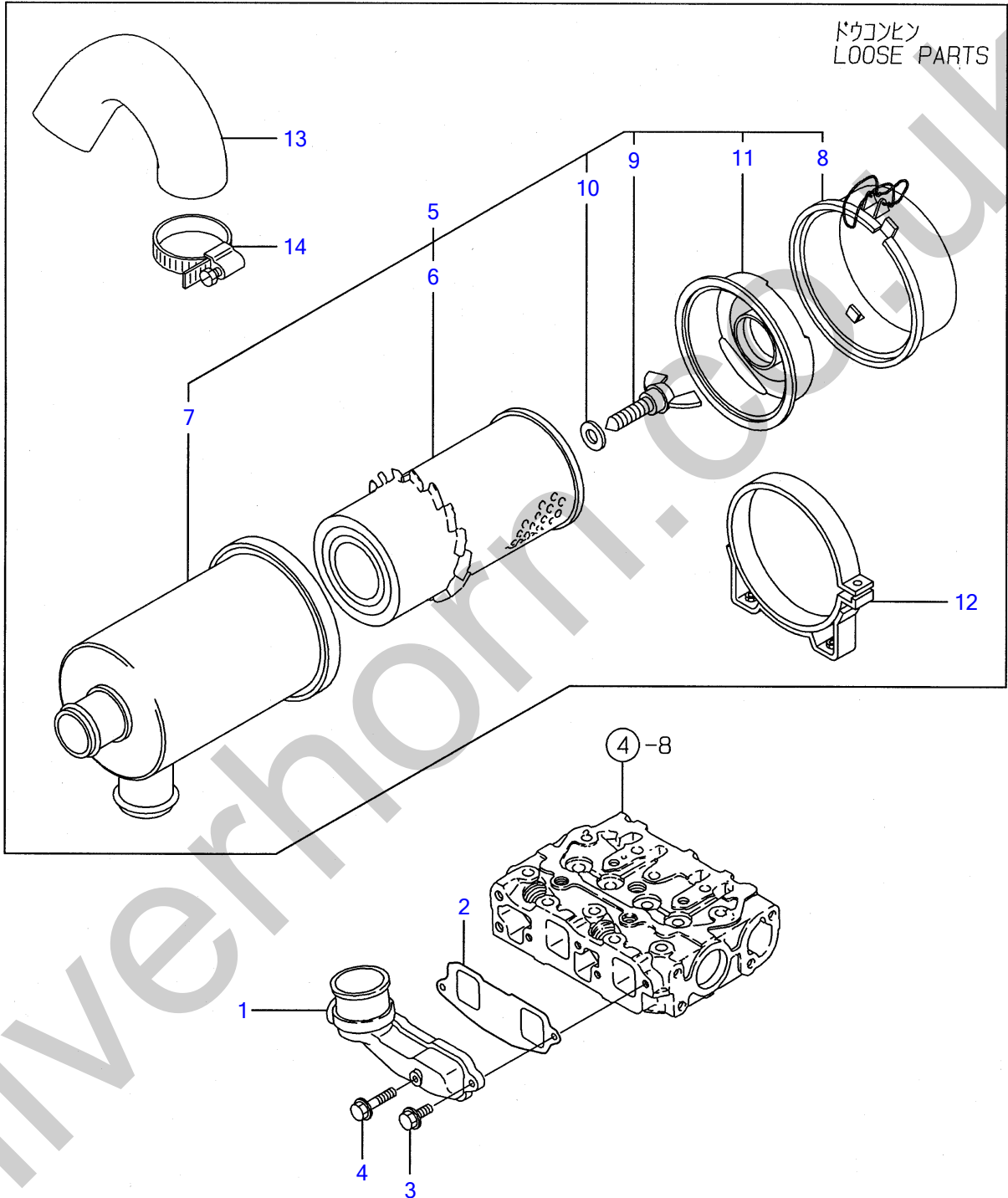
1/2 CYLINDER HEAD & BONNET CYLINDER HEAD & BONNET

REF NO.	PARTS NO.	Description	Q'ty	I	R
1	Y23065-120500	PIPE, VINYL 12X 500	1		
5	Y119260-07900	LIFTER, ENGINE	2		
6	Y119620-11350	STUD	2		
7	Y26106-080142	BOLT M 8X 14 PLATED	1		
8	Y719325-11700	HEAD ASSY, CYLINDER	1		
13	Y119260-11800	• GUIDE, VALVE	4		
15	Y27241-350000	• PLUG 35	2		
16	Y23876-020000	• PLUG 1/4	1		
17	Y27221-050080	• PLUG 5X 8	1		
18	Y119260-11100	• VALVE, SUCTION	2		
19	Y119260-11110	• VALVE, EXHAUST	2		
20	Y114250-11120	• SPRING, VALVE	4		
21	Y114250-11180	• RETAINER, SPRING	4		
22	Y27310-055000	• COTTER	8		
23	Y119260-11340	• SEAL, VALVE STEM	4		
24	Y119260-11370	• CAP, VALVE	4		
25	Y22351-060012	• SPRING PIN 6X12	2		
26	Y119600-11450	PROTECTOR, NOZZLE	2		
27	Y119600-11460	GASKET, NOZZLE	4		
28	Y119305-11200	SUPPORT ASSY, ARM	1		
29	Y719260-11650	• ARM ASSY, ROCKER	2		
30	Y105010-11230	• • SCREW, VALVE	2		
32	Y26856-060002	• • LOCK NUT 6	2		
33	Y719260-11660	• ARM ASSY, ROCKER	2		
34	Y105010-11230	• • SCREW, VALVE	2		
36	Y26856-060002	• • LOCK NUT 6	2		
37	Y119305-11240	• SHAFT ASSY, ARM	1		
40	Y119260-11260	• SUPPORT, ROCKER ARM	1		
41	Y119260-11270	• SCREW	1		
42	Y119260-11280	• SPRING	1		
43	Y22242-000100	• CIRCLIP 10	2		
44	Y119265-11260	• SUPPORT, ROCKER ARM	1		
45	Y26366-080002	NUT M 8	2		
46	Y119305-11350	BONNET ASSY	1		
47	Y124160-01751	• CAP, LUB.OIL SUPPLY	1		
48	Y119305-03020	• PLATE	1		
49	Y119305-03031	• GASKET, PLATE	1		
52	Y119305-11310	• GASKET, BONNET	1		
53	Y118400-03060	• JOINT, BREATHER	1		
54	Y24311-000320	• O-RING 1A P-32.0	1		
55	Y22857-500100	• SCREW 5X10,TAPPING	4		
56	Y124160-11360	KNOB	2		
57	Y24311-000120	O-RING 1A P 12.0	2		
58	Y129155-77801	PLUG, GLOW	2		
59	Y119305-77820	CONNECTOR, GLOW PLUG	1		
60	Y26106-080142	BOLT M 8X 14 PLATED	2		

Engine for TB007 2TNE68-ETB
SUCTION MANIFOLD & AIR CLEANER

Y00D7170
2TNE68-ETB

5 キュウキマニホールド & エアクリーナ
SUCTION MANIFOLD & AIR CLEANER



·Ö³·İÆİ°ÙÄÞ & ±,Ø°Å SUCTION MANIFOLD & AIR CLEANER

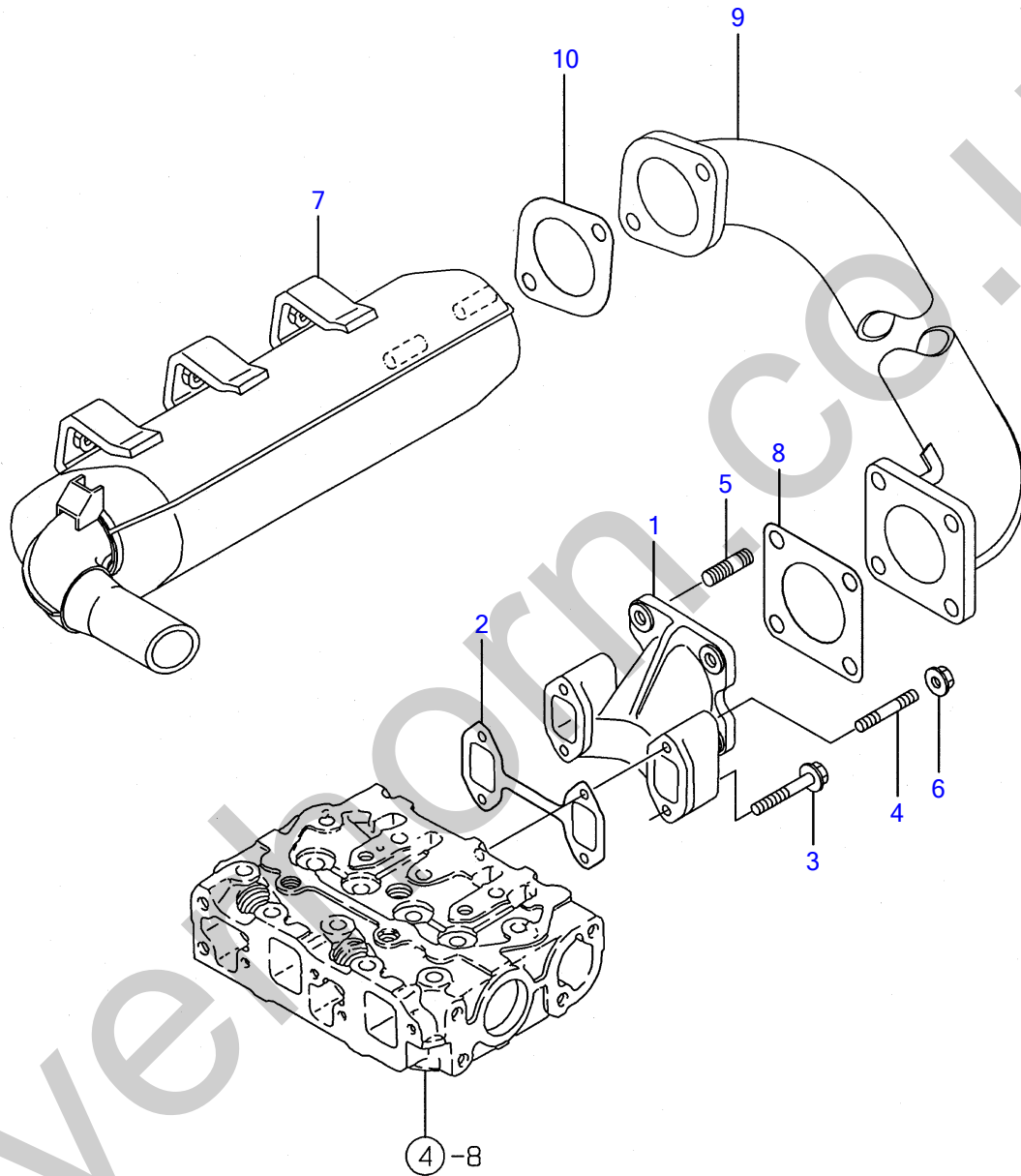
REF NO.	PARTS NO.	Description	Q'ty	I	R	ö
1	Y119305-12150	MANIFOLD, SUCTION	1			
2	Y119326-12111	GASKET	1			
3	Y26106-060162	BOLT M 6X 16 PLATED	2			
4	Y26106-060282	BOLT M 6X 28 PLATED	1			
5	Y171033-12500	CLEANER, AIR	1			
6	Y171033-12510	· ELEMENT	1			
7	Y171033-12540	· CASE ASSY	1			
8	Y171033-12560	· PAN ASSY, DUST	1			
9	Y124064-12680	· BOLT, WING	1			
10	Y124064-12690	· WASHER	1			
11	Y121465-12700	· RETAINER	1			
12	Y171126-12580	BAND	1			
13	Y119332-12210	PIPE (A), AIR INTAKE	1			
14	Y23000-060000	CLAMP 60	3			

Silverhorn.CO.UK

Engine for TB007 2TNE68-ETB
EXHAUST MANIFOLD & SILENCER

Y00D7170
2TNE68-ETB

6 ハイキマニホールド & サイレンサ
EXHAUST MANIFOLD & SILENCER



EXHAUST MANIFOLD & SILENCER

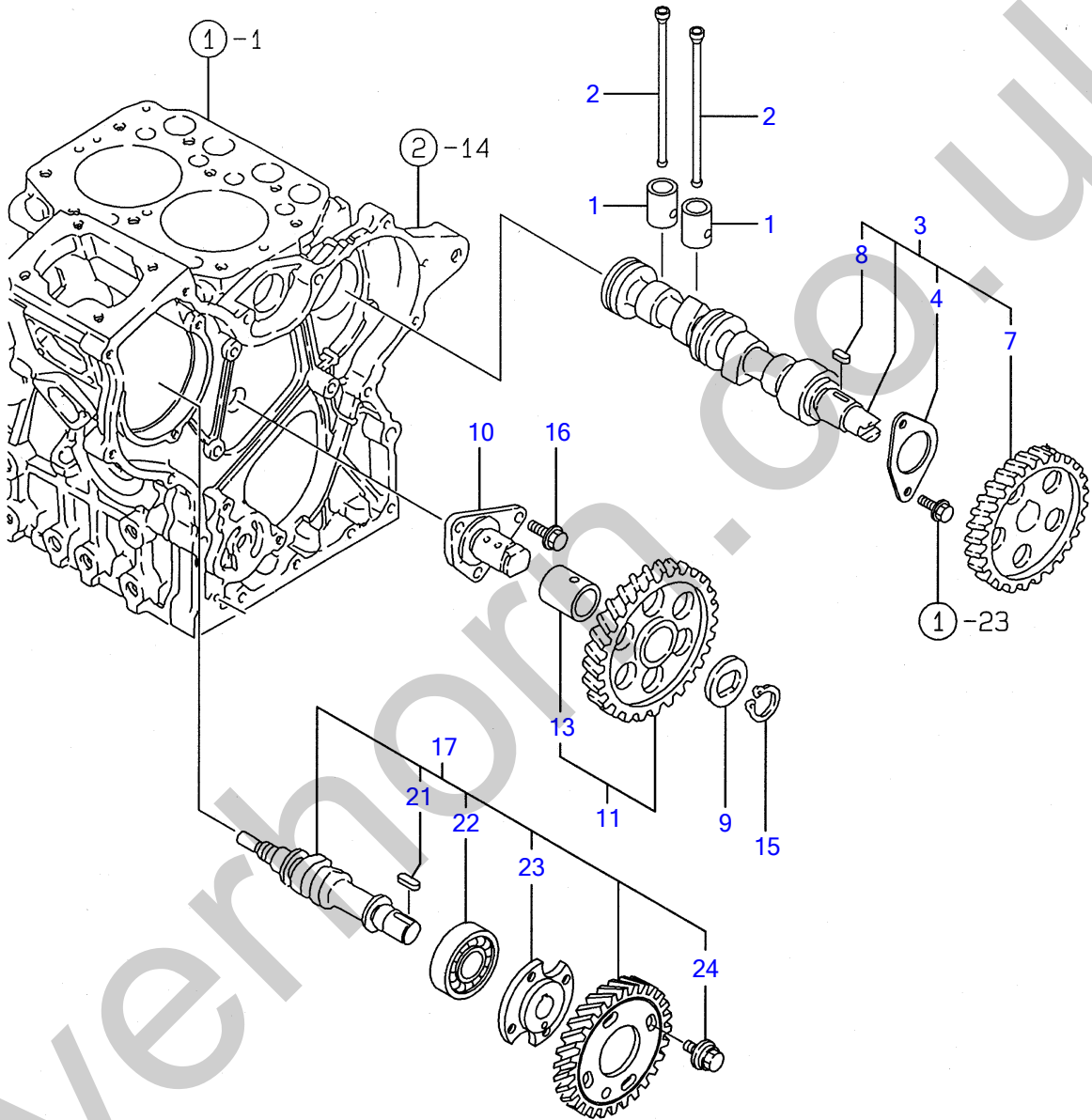
REF NO.	PARTS NO.	Description	Q'ty
1	Y119305-13100	MANIFOLD, EXHAUST	1
2	Y119305-13110	GASKET, EXH.MANIFOLD	1
3	Y26106-060402	BOLT M 6X 40 PLATED	2
4	Y26216-060402	STUD M 6X 40 PLATED	2
5	Y119131-18320	BOLT M 8X 22	4
6	Y26366-060002	NUT M 6	2
7	Y119332-13501	SILENCER	1
8	Y124701-11911	GASKET, (NON-ASB.)	1
9	Y119332-13551	PIPE, EXHAUST	1
10	Y129107-13550	GASKET, NOZZLE	1

Silverhorn.CO.UK

Engine for TB007 2TNE68-ETB
CAMSHAFT & DRIVING GEAR

Y00D7170
2TNE68-ETB

カムシャフト & クドウギヤ
CAMSHAFT & DRIVING GEAR



INTEGRAL & AP-PO CAMSHAFT & DRIVING GEAR

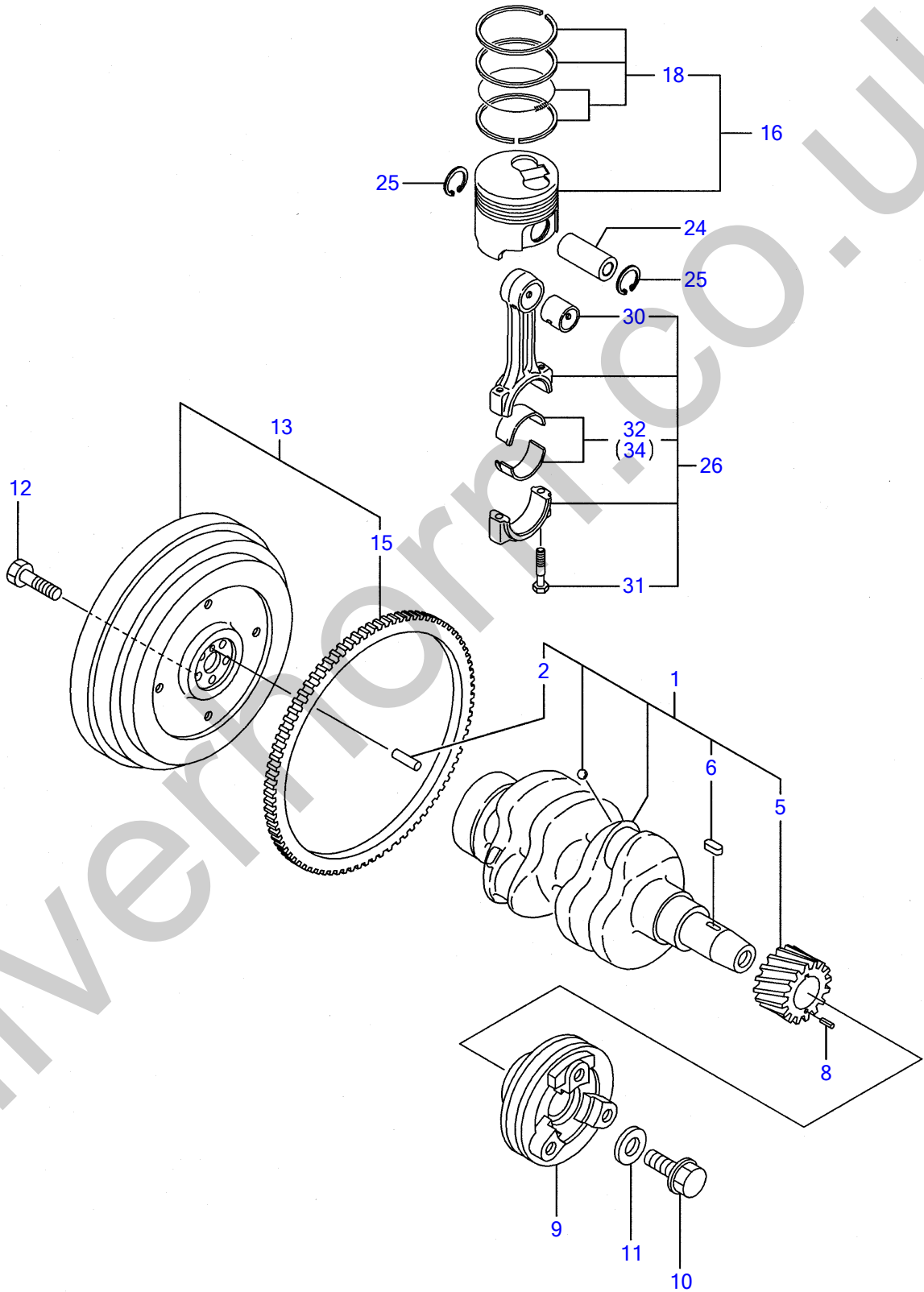
REF NO.	PARTS NO.	Description	Q'ty	I	R
1	Y119260-14200	TAPPET	4		
2	Y119260-14400	ROD, PUSH	4		
3	Y119305-14580	CAMSHAFT ASSY	1		
4	Y119620-02450	• BEARING, THRUST	1		
7	Y119260-14100	• GEAR, CAMSHAFT	1		
8	Y22512-040120	• KEY 4X 12	1		
9	Y119660-25022	RETAINER, IDLE GEAR	1		
10	Y119660-25052	SHAFT, IDLE GEAR	1		
11	Y119260-25100	GEAR W/BUSH, IDLE	1		
13	Y119620-25912	• BUSH	1		
15	Y22242-000200	CIRCLIP 20	1		
16	Y26106-060122	BOLT M 6X 12 PLATED	3		
17	Y119305-14210	CAM ASSY, PUMP	1		
21	Y22512-040120	• KEY 4X 12	1		
22	Y24102-063034	• BALL BEARING 6303U	1		
23	Y119660-25920	• FLANGE	1		
24	Y119660-25930	• THREAD, FI-P GEAR	4		

Silverhorn.CO.UK

Engine for TB007 2TNE68-ETB
CRANKSHAFT & PISTON

Y00D7170
2TNE68-ETB

クランクシャフト & ピストン
CRANKSHAFT & PISTON



CRANKSHAFT & PISTON

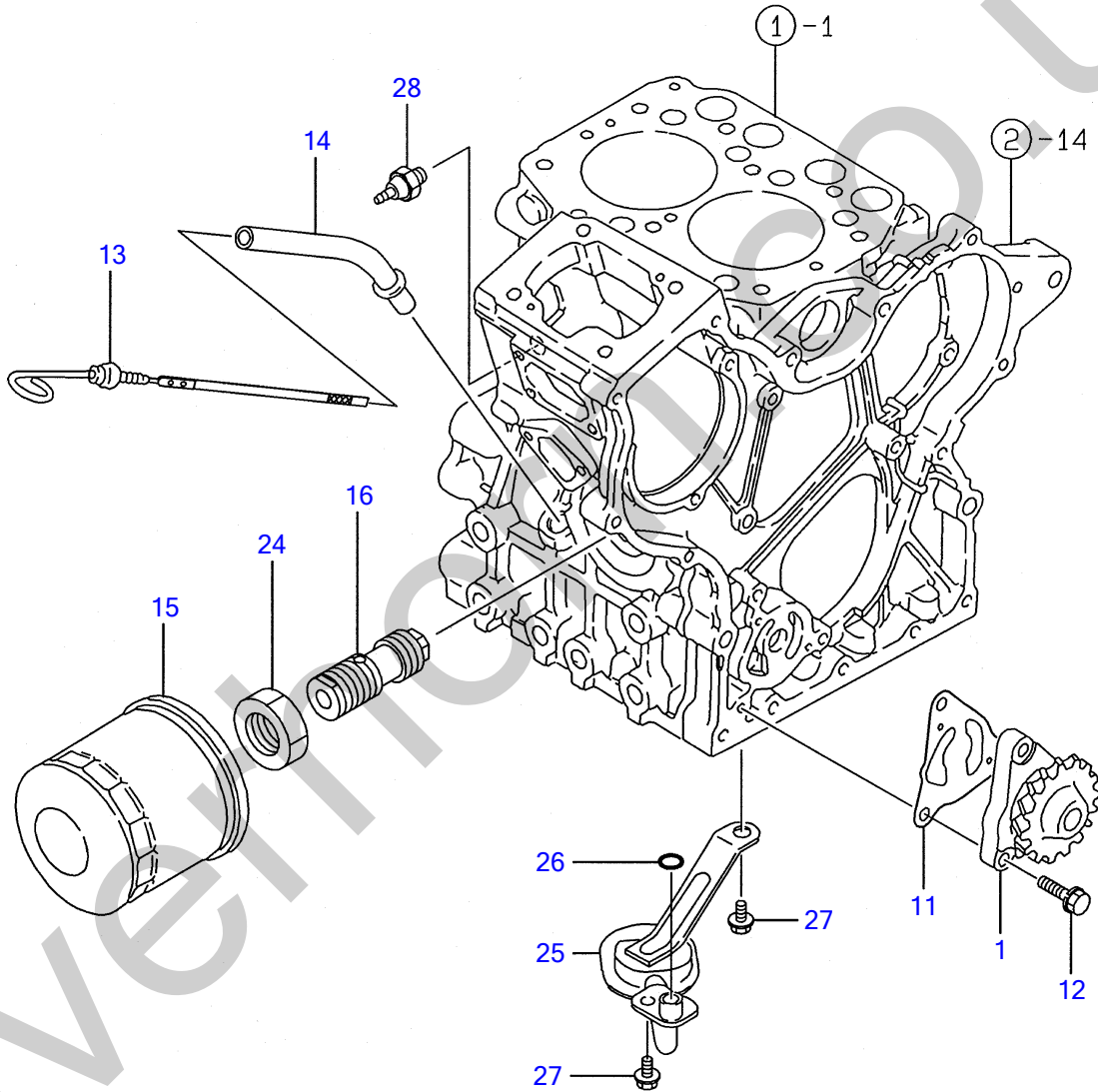
REF NO.	PARTS NO.	Description	Q'ty	I	R	"ö
1	Y119309-21700	CRANKSHAFT ASSY	1			
2	Y129100-01580	• PARALLEL PIN 8X16	1			
5	Y119260-21200	• GEAR, CRANKSHAFT	1			
6	Y22512-040120	• KEY 4X 12	1			
8	Y22351-030012	SPRING PIN 3X12	1			
9	Y119305-21650	V-PULLEY	1			
10	Y119621-21680	BOLT M12X1.25,FLANGE	1			
11	Y119620-21941	WASHER	1			
12	Y121111-21501	BOLT, FLYWHEEL	5			
13	Y119332-21590	FLYWHEEL ASSY	1			
15	Y124950-21600	• GEAR, RING	1			
16	Y119265-22601	PISTON W/RINGS	2			
18	Y119265-22500	• RING SET	2			
24	Y119265-22300	PIN, PISTON	2			
25	Y22252-000200	CIRCLIP 20	4			
26	Y119265-23100	ROD ASSY, CONNECTING	2			
30	Y119260-23910	• BUSH, PISTON PIN	2			
31	Y119265-23200	• BOLT, ROD	4			
32	Y719260-23600	• BEARING, CRANKPIN	2			
34	Y719260-23610	BEARING,PIN U.S=0.25	2			

Silverhorn.CO.UK

Engine for TB007 2TNE68-ETB
LUB.OIL SYSTEM

Y00D7170
2TNE68-ETB

9 LOシステム
LUB.OIL SYSTEM



LOZÁÑ LUB.OIL SYSTEM

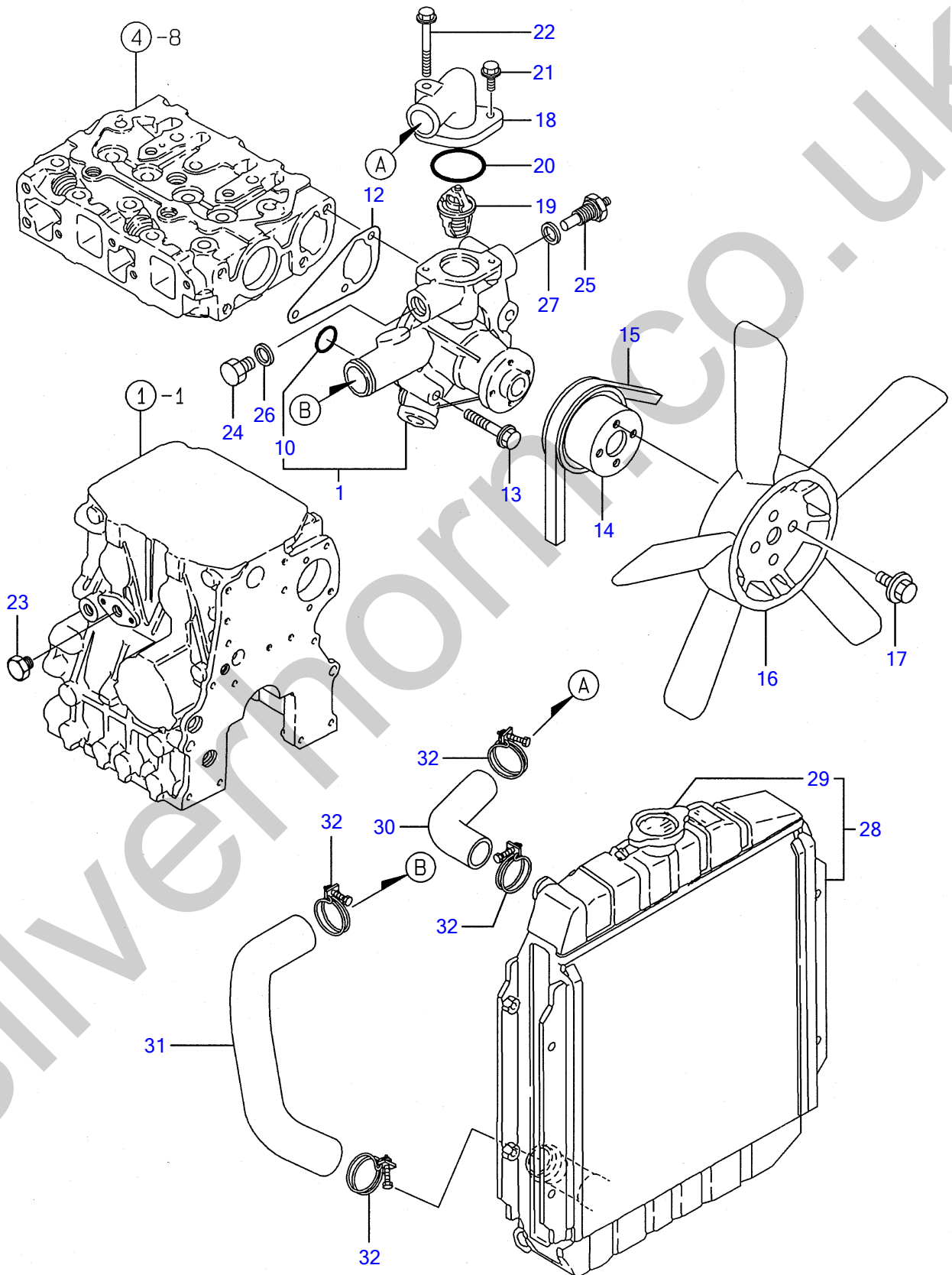
REF NO.	PARTS NO.	Description	Q'ty	I	R	"õ
1	Y119260-32000	PUMP ASSY, LUB. OIL	1			
11	Y119660-32020	GASKET, L.O.PUMP	1			
12	Y26450-060202	BOLT M 6X 20	3			
13	Y119332-34880	DIPSTICK, LUB.OIL	1			
14	Y119332-34890	GUIDE, DIPSTICK	1			
15	Y119305-35150	FILTER, LUB. OIL	1			
16	Y119225-35300	VALVE ASSY,OIL PRESS	1			
24	Y129150-35350	NUT	1			
25	Y119332-35080	PIPE, OIL INLET	1			
26	Y119209-35030	O-RING	1			
27	Y26106-060122	BOLT M 6X 12 PLATED	2			
28	Y114250-39450	SWITCH,(0.5KG)L.O.	1			

Silverhorn.CO.UK

Engine for TB007 2TNE68-ETB
COOLING WATER SYSTEM

Y00D7170
2TNE68-ETB

10 CWシステム
COOLING WATER SYSTEM



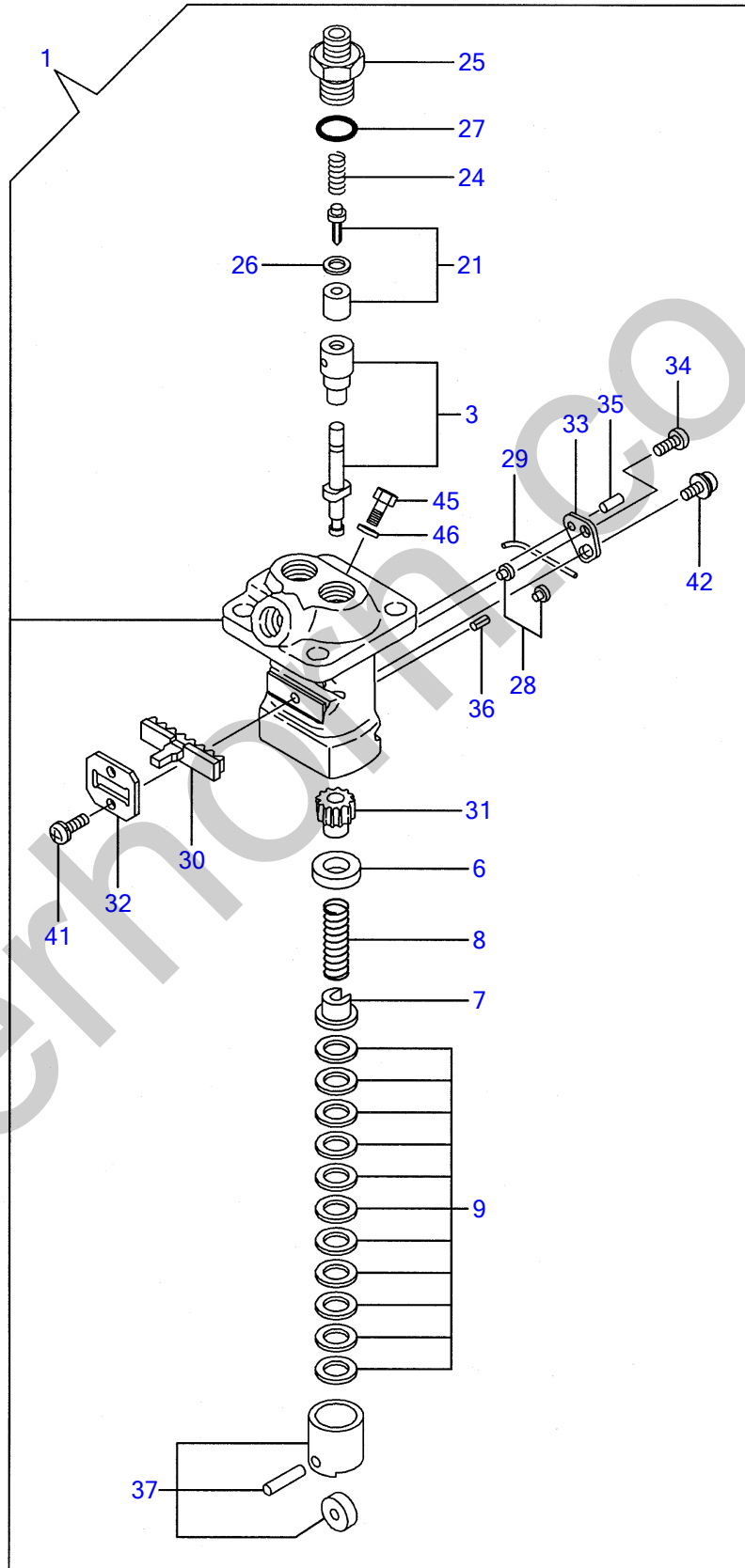
CW¼½Ñ COOLING WATER SYSTEM

REF NO.	PARTS NO.	Description	Q'ty	I	R
1	Y119260-42002	PUMP ASSY, C.WATER	1		
10	Y119225-42320	• O-RING	1		
12	Y119260-42021	GASKET, C.W.	1		
13	Y26106-080452	BOLT M 8X 45 PLATED	3		
14	Y119620-42350	V-PULLEY, C.W. PUMP	1		
15	Y104514-42780	V-BELT (HM-33)	1		
16	Y119332-44740	FAN (D260)	1		
17	Y26014-060142	BOLT M 6X 14	4		
18	Y119256-49530	COVER, THERMOSTAT	1		
19	Y119260-49800	THERMOSTAT (718C	1		
20	Y119209-42140	O_RING,COVER_THERMOS	1		
21	Y26106-060162	BOLT M 6X 16 PLATED	1		
22	Y26106-060552	BOLT M 6X 55 PLATED	1		
23	Y171056-49120	PLUG, DRAIN	1		
24	Y121450-42450	PLUG M16	1		
25	Y124250-49351	THERMOMETER	1		
26	Y124465-44950	GASKET 16	1		
27	Y129150-49360	GASKET 10	1		
28	Y119332-44520	RADIATOR	1		
29	Y119259-44576	• CAP, RADIATOR	1		
30	Y119230-49010	PIPE, WATER	1		
31	Y119332-49020	PIPE(B), C.W	1		
32	Y23010-038000	CLAMP 38	4		

Engine for TB007 2TNE68-ETB
FUEL INJECTION PUMP

Y00D7170
2TNE68-ETB

1 1 FOポンシャポンプ
FUEL INJECTION PUMP



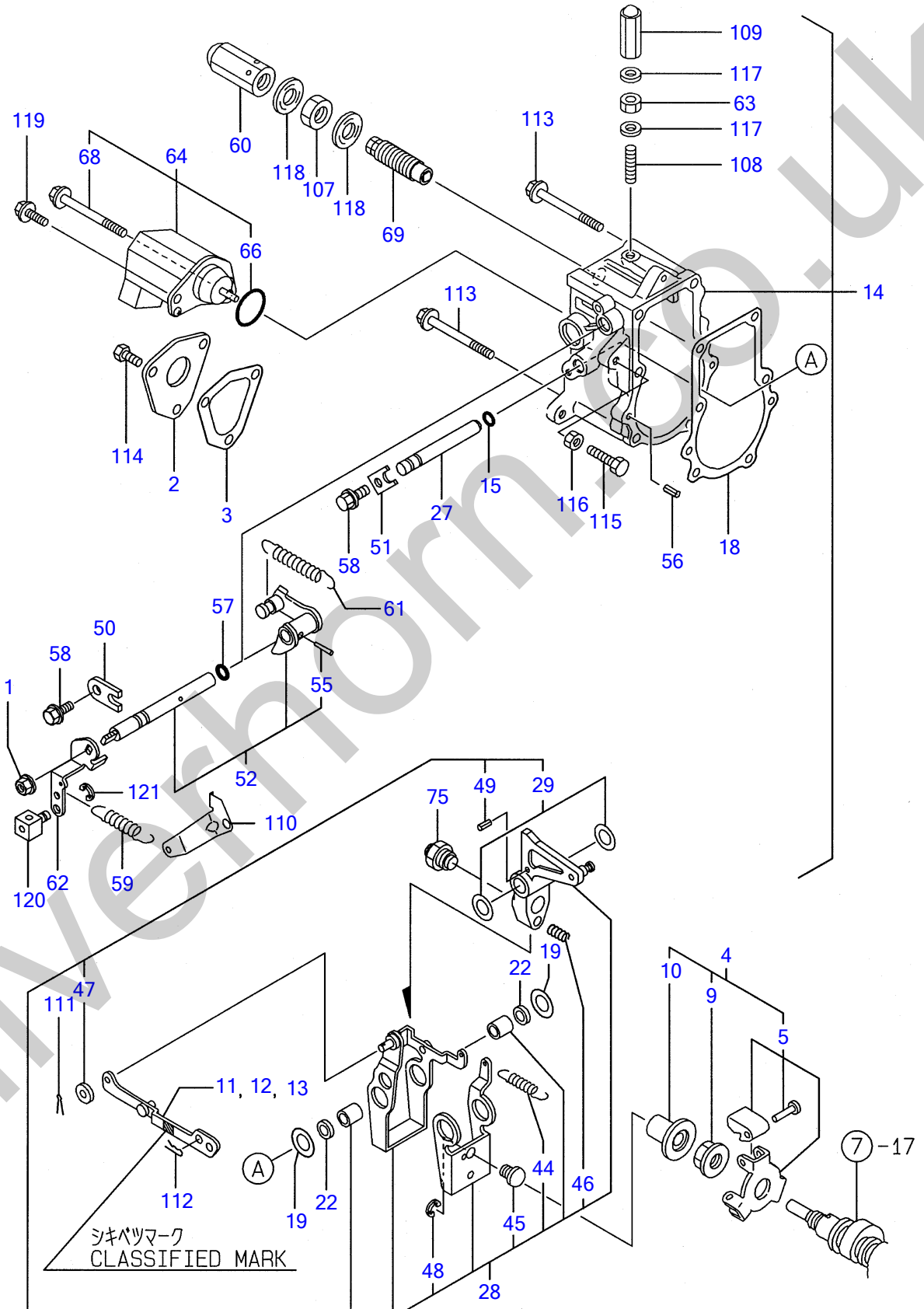
FOIY%ŌIßYIß FUEL INJECTION PUMP

REF NO.	PARTS NO.	Description	Q'ty	I	R	ØI
1	Y719309-51100	PUMP ASSY. F.INJECT.	1			
3	Y119225-51100	• PLUNGER W/BARREL	2			
6	Y119620-51170	• RETAINER	2			
7	Y119620-51180	• RETAINER	2			
8	Y119620-51190	• SPRING, PLUNGER	2			
9	Y119620-51250	• SHIM PACK	2			
21	Y119209-51300	• VALVE, DELIVERY	2			
24	Y105546-51330	• SPRING, DELIV. VALVE	2			
25	Y119620-51340	• HOLDER, DELIV. VALVE	2			
26	Y119620-51350	• GASKET, DELIVERY	2			
27	Y119620-51370	• O-RING	2			
28	Y119620-51450	• GUIDE, PLUNGER	2			
29	Y174307-51460	• PIN	1			
30	Y119305-51500	• RACK	1			
31	Y119620-51510	• PINION	2			
32	Y119305-51530	• RETAINER, RACK	1			
33	Y119620-51650	• PLATE	1			
34	Y119620-51660	• SCREW	1			
35	Y119620-51670	• PIN	1			
36	Y119620-51680	• PIN	1			
37	Y119620-51700	• TAPPET ASSY	2			
41	Y26022-040082	• SCREW M 4X 8	2			
42	Y26033-040102	• SCREW M 4X 10	1			
45	Y119266-51900	• BOLT	1			
46	Y22190-080002	• SEAL WASHER 8S	1			

Engine for TB007 2TNE68-ETB
GOVERNOR

Y00D7170
2TNE68-ETB

12 12 12
ガバナ
GOVERNOR



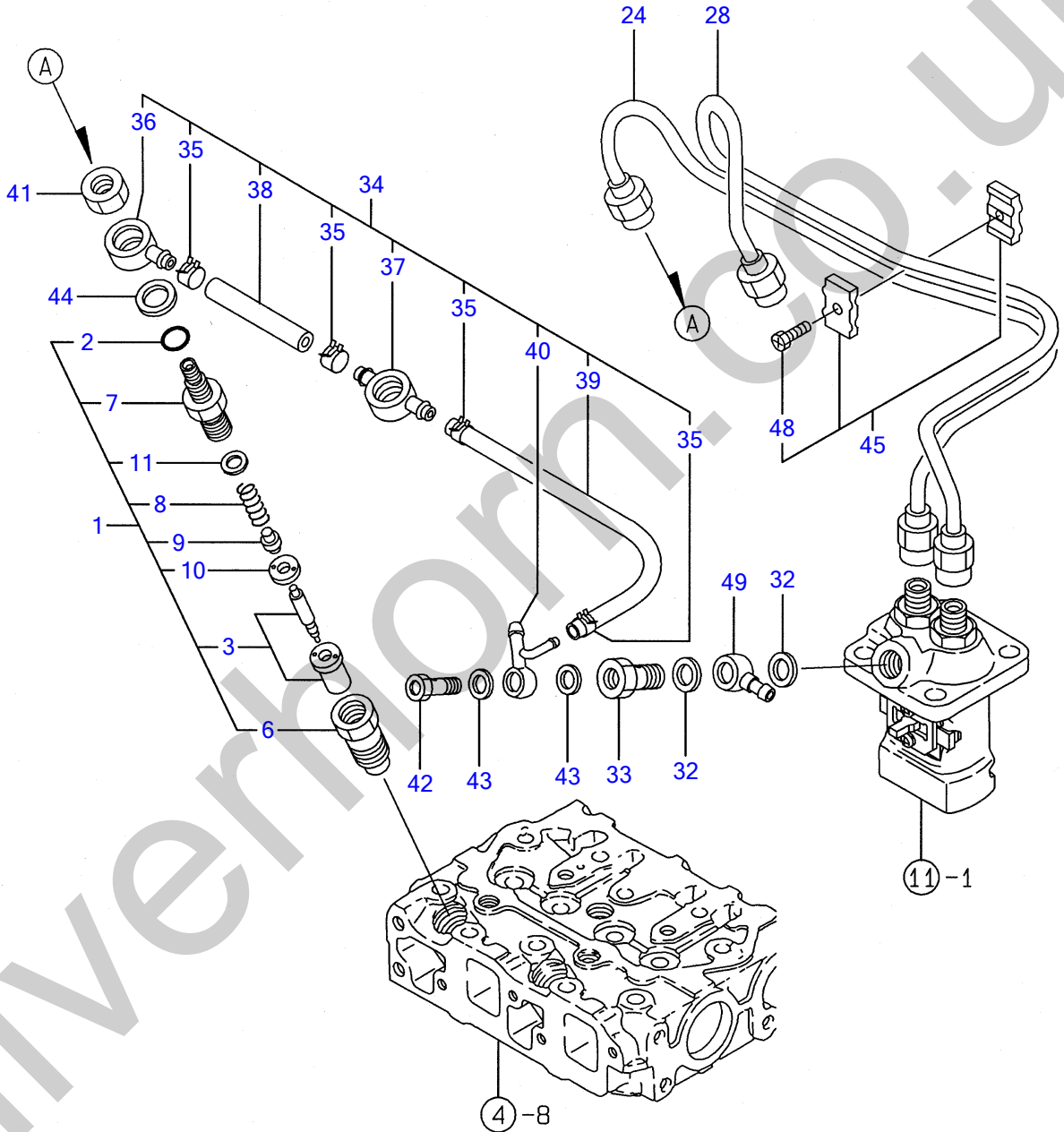
ГІПЕРА GOVERNOR

REF NO.	PARTS NO.	Description	Q'ty
1	Y194990-22050	NUT W/WASHER 8	1
2	Y119660-61060	COVER, GOVERNOR CASE	1
3	Y119660-61071	GASKET, (NON-ASB.)	1
4	Y119600-61300	DRIVING SET, GOV.	1
5	Y119600-61400	• WEIGHT ASSY, GOV.	1
9	Y119660-61300	• NUT, GOVERNOR WEIGHT	1
10	Y119660-61341	• SLEEVE, GOVERNOR	1
11	Y119285-61120	LINK (L=88.8)	1
12	Y119285-61130	LINK (L=88.6)	1
13	Y119285-61140	LINK (L=89.0)	1
14	Y119632-61200	CASE ASSY, GOVERNOR	1
15	Y129155-51280	• O-RING S6	1
18	Y119660-61052	• GASKET, (NON-ASB.)	1
19	Y119660-61460	• SHIM SET	1
22	Y129155-61480	• SPACER ASSY	2
27	Y119660-61590	• SHAFT	1
28	Y119232-61510	• LEVER ASSY, GOVERNOR	1
29	Y174307-51700	• • SHIM SET	2
44	Y119232-61540	• • SPRING, LEVER	1
45	Y119600-61541	• • SHIFTER,P.T.O.	1
46	Y119660-61651	• • SPRING, STARTING	1
47	Y22117-040000	• • WASHER 4	1
48	Y22272-000040	• • CIRCLIP E- 4	1
49	Y22351-030014	• • SPRING PIN 3X14	1
50	Y119600-61900	• RETAINER, SHAFT	1
51	Y119660-61901	• RETAINER, SHAFT	1
52	Y119285-66080	• SHAFT ASSY,REGULATOR	1
55	Y22322-030160	• • TAPER PIN 3X16	1
56	Y22351-040010	• SPRING PIN 4X10	2
57	Y24341-000070	• O-RING 1A S-7.0	1
58	Y26106-060102	• BOLT M 6X 10 PLATED	2
59	Y119840-61870	SPRING	1
60	Y129100-61930	NUT, CAP	1
61	Y119305-66010	SPRING, REGULATOR	1
62	Y119640-66051	HANDLE, REGULATOR	1
63	Y124550-66370	LOCK NUT M 6	1
64	Y119285-66500	ENG. STOP SOLENOID	1
66	Y24341-000280	• O-RING 1A S-28.0	1
68	Y26106-060952	• BOLT M 6X 95 PLATED	1
69	Y119600-66530	TORQUE SPRING ASSY	1
75	Y119610-66700	ANGLEICH ASSY	1
107	Y26776-120002	LOCK NUT M12 PLATED	1
108	Y121575-66830	SCREW, ADJUST	1
109	Y119600-66840	NUT, CAP	1
110	Y119656-66910	HOOK	1
111	Y22360-040000	SNAP PIN 4	1
112	Y22360-060000	SNAP PIN 6	1
113	Y26106-060702	BOLT M 6X 70 PLATED	5
114	Y26116-050102	BOLT M 5X 10 PLATED	3
115	Y26116-060304	BOLT M 6X 30 PLATED	1
116	Y26756-060002	LOCK NUT 6	1
117	Y22190-060003	SEAL WASHER 6	2
118	Y22190-120002	SEAL WASHER 12	2
119	Y121465-59950	BOLT M 6X 16, PLATED	1
120	Y124756-67510	RETAINER, WIRE	1
121	Y22272-000070	CIRCLIP E- 7	1

Engine for TB007 2TNE68-ETB
FUEL INJECTION VALVE

Y00D7170
2TNE68-ETB

13 FO7ンシャベン
FUEL INJECTION VALVE



FOIY%ÓÍPÝ FUEL INJECTION VALVE

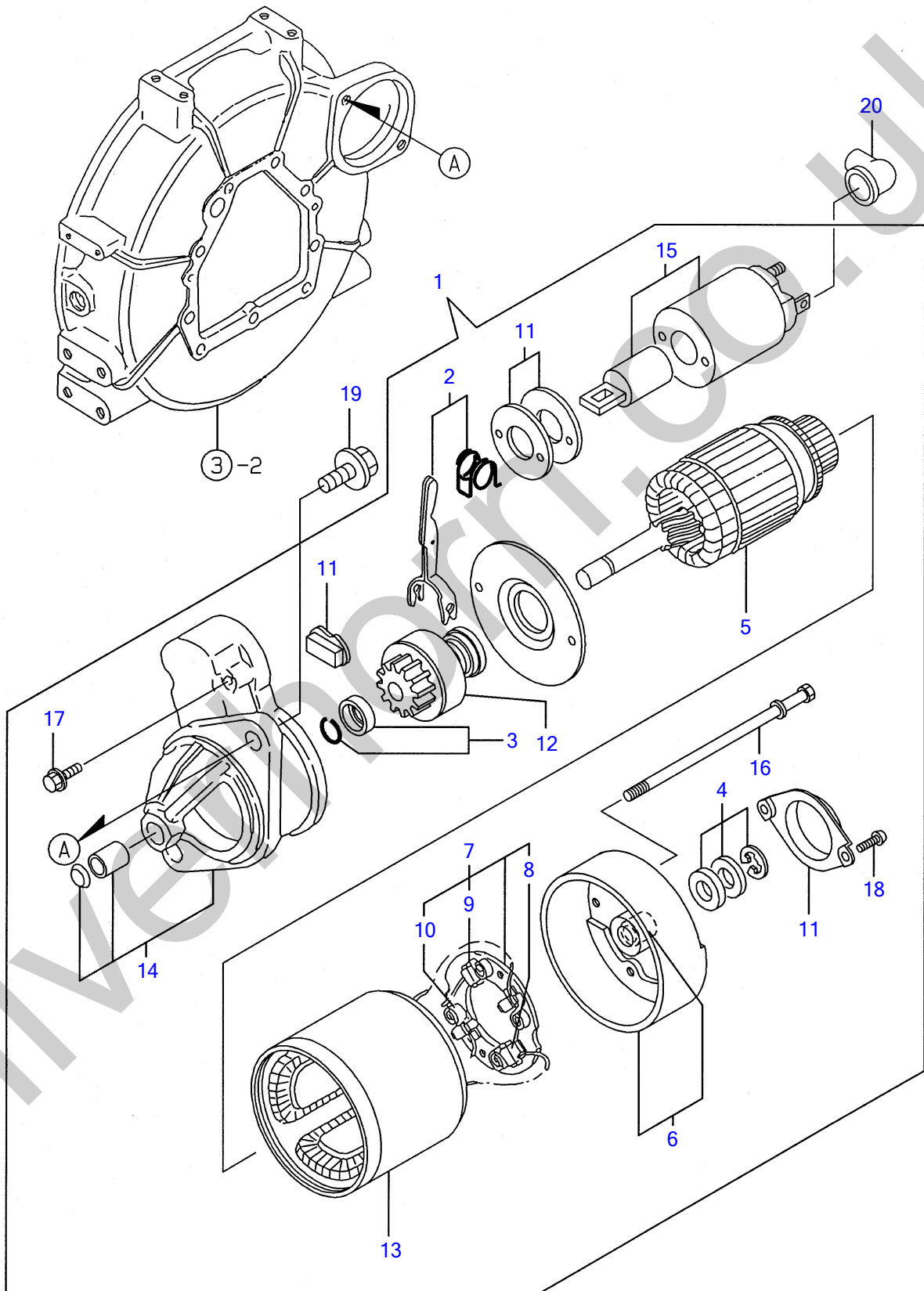
REF NO.	PARTS NO.	Description	Q'ty
1	Y719620-53100	FUEL INJECT.VALVE AS	2
2	Y129155-61830	• O-RING S10	2
3	Y119620-53000	• NOZZLE ASSY,F.INJECT	2
6	Y119620-53080	• NUT, VALVE W/CASE	2
7	Y119620-53100	• HOLDER, VALVE W/CASE	2
8	Y119620-53120	• SPRING, VALVE	2
9	Y114250-53130	• SEAT, NOZZLE SPRING	2
10	Y119620-53140	• SPACER, VALVE STOP	2
11	Y114250-53400	• SHIM PACK	2
24	Y119309-59810	PIPE ASSY, FUEL	1
28	Y119309-59820	PIPE ASSY, FUEL	1
32	Y22190-120002	SEAL WASHER 12	2
33	Y119650-59200	BOLT 12, PIPE JOINT	1
34	Y119332-59540	PIPE, FUEL RETURN	1
35	Y124066-59100	• CLAMP 8	4
36	Y119260-59520	• JOINT (B)	1
37	Y119260-59530	• JOINT (A)	1
38	Y105025-59550	• PIPE, FUEL RETURN	1
39	Y119642-59550	• PIPE, FUEL RETURN	1
40	Y119642-59570	• JOINT,OVER FLOW PIPE	1
41	Y119620-59700	NUT	2
42	Y124550-59820	BOLT 8, PIPE JOINT	1
43	Y22190-080002	SEAL WASHER 8S	2
44	Y22190-140002	SEAL WASHER 14S	2
45	Y119305-59120	RETAINER	1
48	Y129150-59131	• BOLT M4X14,HEX.SCKT.	1
49	Y101304-59020	JOINT 12, PIPE	1

REF NO.	PARTS NO.	Description	Q'ty	I	R	Q'ty
1	Y119632-55620	STRAINER ASSY, F.O.	1			
2	Y104200-55321	• VALVE, TAPER	1			
3	Y104200-55330	• SPRING, TAPER VALVE	1			
4	Y119810-55340	• LEVER	1			
5	Y121254-55510	• CUP, STRAINER	1			
6	Y102103-55520	• O-RING	1			
7	Y110250-55610	• RING, RETAINING	1			
8	Y121250-55620	• SPRING	1			
10	Y124550-55700	• ELEMENT	1			
13	Y104200-55750	• SCREW M 4	1			
14	Y24311-240100	• O-RING 1A P-10A	1			
15	Y124066-59100	CLAMP 8	1			
16	Y129150-59580	CAP	1			
17	Y129335-55700	SEPARATOR, WATER	1			
18	Y104200-55321	• VALVE, TAPER	1			
19	Y104200-55330	• SPRING, TAPER VALVE	1			
20	Y104200-55341	• HANDLE, COCK	1			
21	Y124064-55510	• BOWL, FUEL STRAINER	1			
22	Y102103-55520	• O-RING	1			
23	Y110250-55610	• RING, RETAINING	1			
24	Y121257-55720	• SPRING, SCREEN	1			
25	Y121257-55731	• FLOAT	1			
27	Y101720-55750	• PLUG 6	2			
28	Y104200-55750	• SCREW M 4	1			
29	Y171081-55910	• SCREEN	1			
30	Y23418-060000	• GASKET 6, NYLON	2			
31	Y24311-240100	• O-RING 1A P-10A	1			
32	Y119840-59601	BEND ASSY	1			
33	Y124766-59050	• CLAMP 12	2			
35	Y119840-59621	• JOINT	1			

Engine for TB007 2TNE68-ETB
STARTING MOTOR

Y00D7170
2TNE68-ETB

15 スターティングモータ
STARTING MOTOR



STARTING MOTOR

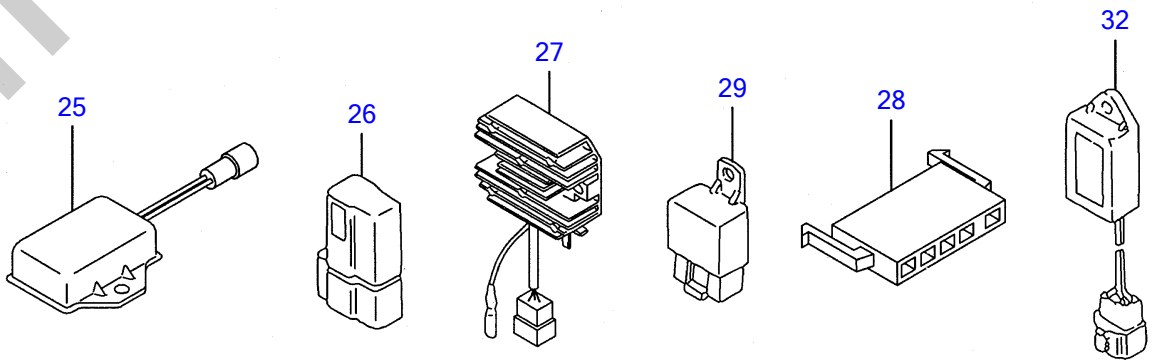
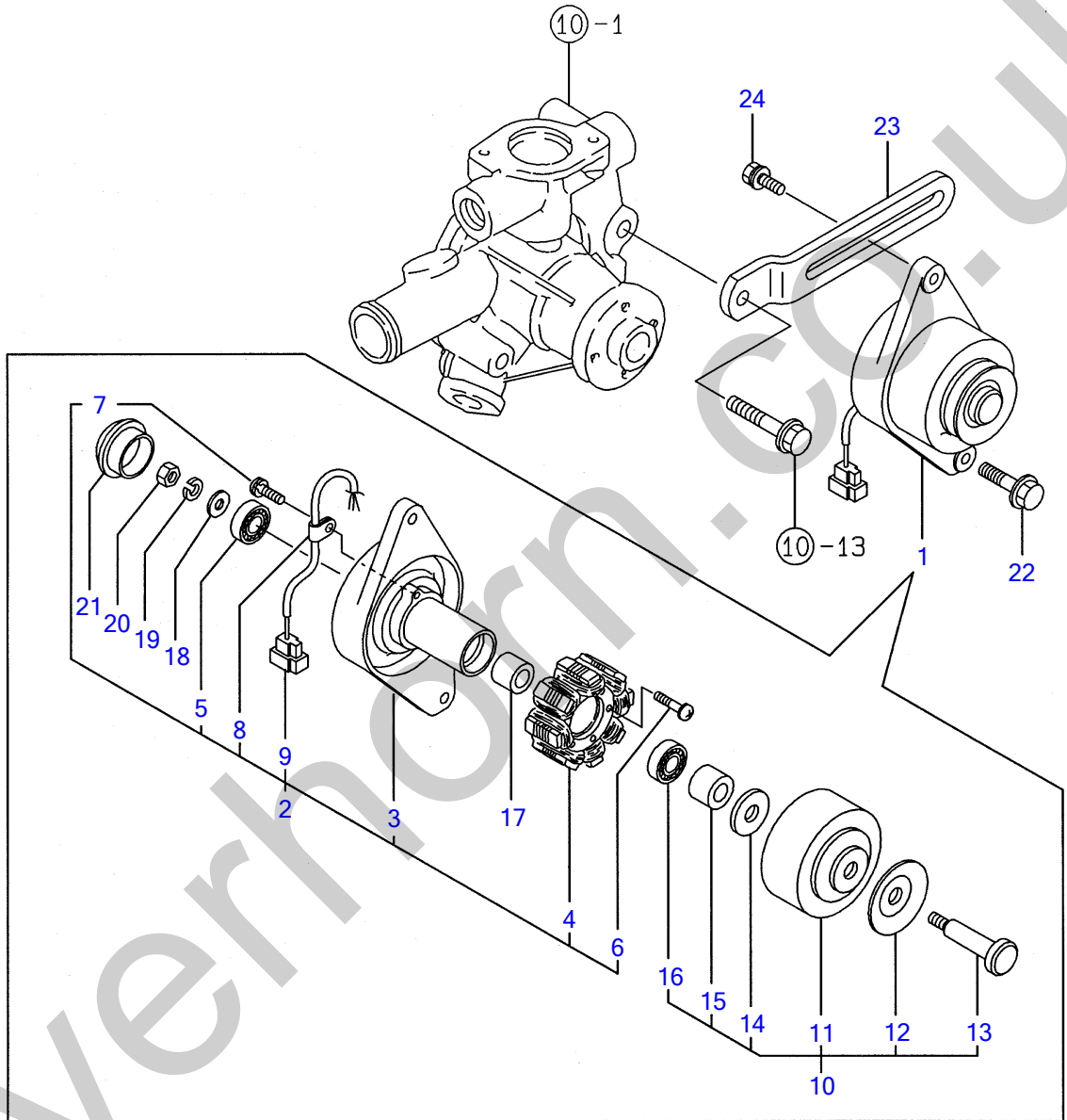
REF NO.	PARTS NO.	Description	Q'ty
1	Y119226-77010	STARTER, 12V-0.8KW	1
5	Y114371-77110	• ARMATURE	1
6	Y114371-77140	• COVER ASSY, REAR	1
7	Y114371-77160	• HOLDER ASSY, BRUSH	1
8	Y114371-79040	• • BRUSH (-)	2
9	Y114371-79050	• • BRUSH (+)	1
10	Y114371-79060	• • SPRING, BRUSH	4
11	Y114371-77170	• COVER KIT, DUST	1
12	Y119226-77650	• PINION ASSY	1
13	Y124097-77710	• YOKE ASSY.	1
14	Y124097-77760	• CASE ASSY., GEAR	1
15	Y124195-77760	• MAGNETIC SWITCH ASSY	1
16	Y124195-77770	• THROUGH BOLT	2
17	Y114371-79070	• BOLT M 6X 37	2
18	Y26022-040122	• SCREW M 4X 12	2
19	Y26106-100252	BOLT M10X 25 PLATED	2
20	Y124160-77020	COVER, TERMINAL	1

Silverhorn.CO.UK

Engine for TB007 2TNE68-ETB
GENERATOR

Y00D7170
2TNE68-ETB

16 ジェネレータ
GENERATOR



GENERATOR

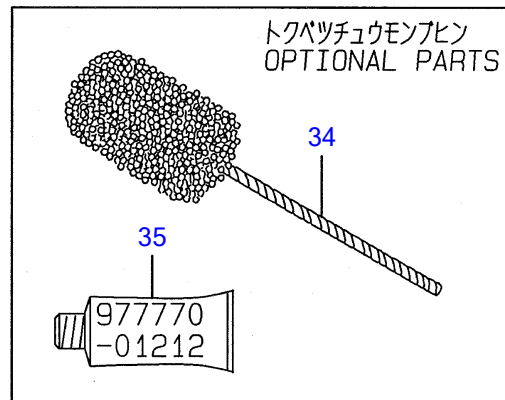
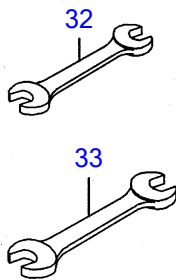
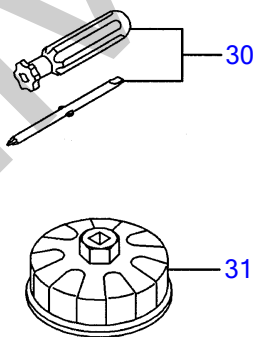
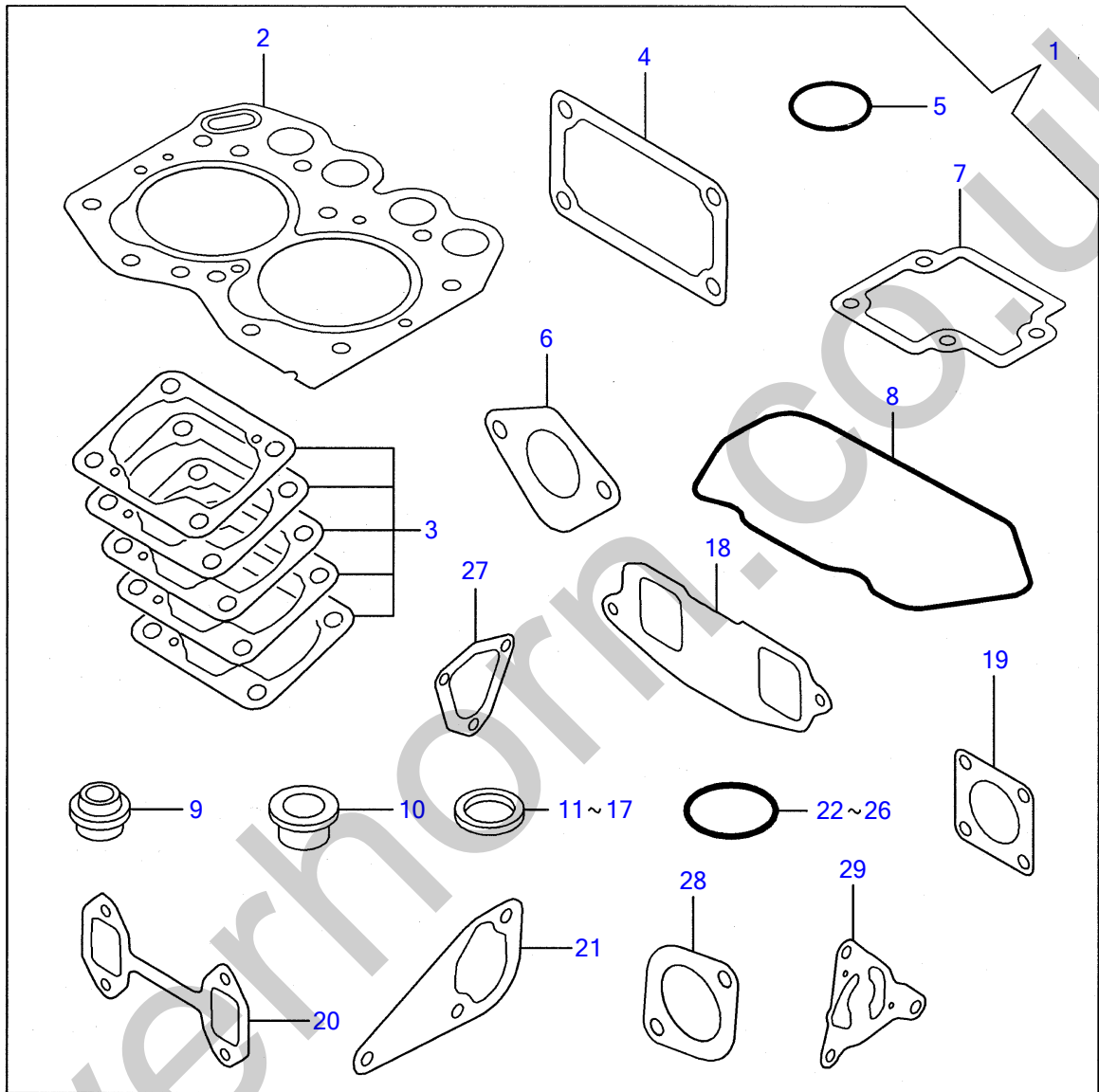
REF NO.	PARTS NO.	Description	Q'ty
1	Y119663-77200	GENERATOR	1
6	Y26022-040252	• SCREW M 4X 25	2
17	Y106383-44720	• SPACER	1
18	Y106383-44730	• WASHER	1
19	Y22212-100000	• SPRING WASHER 10	1
20	Y26716-100002	• NUT 10	1
21	Y105225-44790	• CAP	1
22	Y26106-100402	BOLT M10X 40 PLATED	1
23	Y121450-77330	ADJUSTER, BELT	1
24	Y119810-77340	BOLT	1
25	Y119332-77810	RESISTOR	1
26	Y119643-66900	DIODE	1
27	Y119660-77711	CURRENT LIMITER(15A)	1
28	Y171301-77720	COUPLER	1
29	Y119650-77910	RELAY, GROW	1
32	Y129211-77920	TIMER	1

Silverhorn.CO.UK

Engine for TB007 2TNE68-ETB
GASKET SET

Y00D7170
2TNE68-ETB

17 パッキンセット
GASKET SET



ÈÈÀ·Ý¾ÄÄ GASKET SET

REF NO.	PARTS NO.	Description	Q'ty
1	Y719325-92620	GASKET SET	1
2	Y119309-01330	• GASKET, CYL. HEAD	1
3	Y119305-01950	• SHIM PACK	1
4	Y119660-01562	• GASKET, (NON-ASB.)	1
5	Y24311-000320	• O-RING 1A P-32.0	2
6	Y121520-01851	• GASKET, (NON-ASB.)	1
7	Y119305-03031	• GASKET, PLATE	1
8	Y119305-11310	• GASKET, BONNET	1
9	Y119260-11340	• SEAL, VALVE STEM	4
10	Y119600-11450	• PROTECTOR, NOZZLE	2
11	Y119600-11460	• GASKET, NOZZLE	4
12	Y124465-44950	• GASKET 16	1
13	Y22190-060003	• SEAL WASHER 6	2
14	Y22190-120002	• SEAL WASHER 12	4
15	Y129150-49360	• GASKET 10	1
16	Y22190-080002	• SEAL WASHER 8S	2
17	Y22190-140002	• SEAL WASHER 14S	2
18	Y119326-12111	• GASKET	1
19	Y124701-11911	• GASKET, (NON-ASB.)	1
20	Y119305-13110	• GASKET, EXH.MANIFOLD	1
21	Y119260-42021	• GASKET, C.W.	1
22	Y119209-42140	• O_RING,COVER_THERMOS	1
23	Y24311-000120	• O-RING 1A P 12.0	2
24	Y24341-000240	• O-RING 1A S-24.0	1
25	Y119209-35030	• O-RING	1
26	Y119624-32040	• O-RING P 12.0	2
27	Y119660-61071	• GASKET, (NON-ASB.)	1
28	Y129107-13550	• GASKET, NOZZLE	1
29	Y119660-32020	• GASKET, L.O.PUMP	1
30	Y104200-92350	DRIVER, SCREW	1
31	Y119332-92751	WRENCH, FILTER	1
32	Y28110-100120	WRENCH 10X12	1
33	Y28110-140170	WRENCH 14X17	1
34	Y129400-92400	FLEX HORN	1
35	Y977770-01212	GASKET, LIQUID	1